

N-channel 40 V, 1.2 mΩ typ., 180 A, STripFET™ F7 Power MOSFETs in H²PAK-2 and H²PAK-6 packages

Datasheet – preliminary data

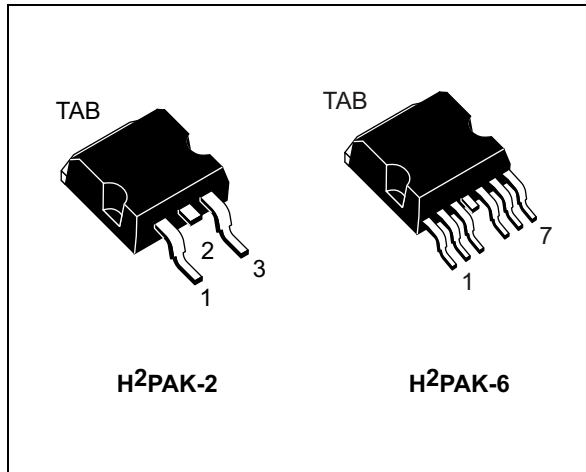
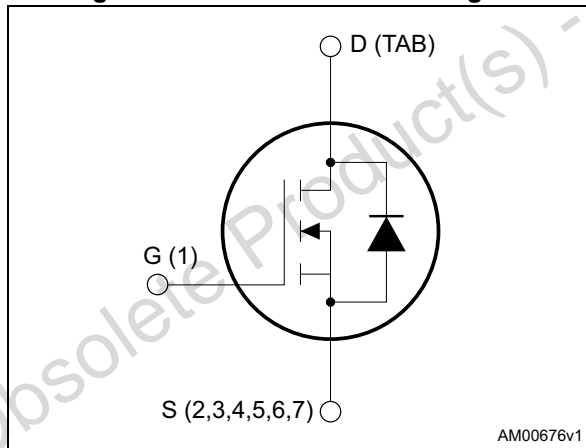


Figure 1. Internal schematic diagram



Features

Order code	V _{DS}	R _{DS(on)max}	I _D	P _{TOT}
STH260N4LF7-2	40 V	1.6 mΩ	180 A	200 W
STH260N4LF7-6				

- Among the lowest R_{DS(on)} on the market
- Excellent figure of merit (FoM)
- Low C_{rss}/C_{iss} ratio for EMI immunity
- High avalanche ruggedness

Applications

- Switching applications

Description

These N-channel Power MOSFETs utilize STripFET™ F7 technology with an enhanced trench gate structure that results in very low on-state resistance, while also reducing internal capacitance and gate charge for faster and more efficient switching.

Table 1. Device summary

Order code	Marking	Package	Packing
STH260N4LF7-2	260N4LF7	H ² PAK-2	Tape and reel
STH260N4LF7-6	260N4LF7	H ² PAK-6	

Contents

1	Electrical ratings	3
2	Electrical characteristics	4
3	Test circuits	6
4	Package information	7
4.1	H ² PAK-2 package information	8
4.2	H ² PAK-6 package information	11
4.3	Packing information	14
5	Revision history	16

Obsolete Product(s) - Obsolete Product(s)



1 Electrical ratings

Table 2. Absolute maximum ratings

Symbol	Parameter	Value	Unit
V_{DS}	Drain-source voltage	40	V
V_{GS}	Gate- source voltage	± 20	V
$I_D^{(1)}$	Drain current (continuous) at $T_C = 25\text{ }^\circ\text{C}$	180	A
$I_D^{(1)}$	Drain current (continuous) at $T_C = 100\text{ }^\circ\text{C}$	180	A
$I_{DM}^{(2)}$	Drain current (pulsed) $T_C = 25\text{ }^\circ\text{C}$	720	A
P_{TOT}	Total dissipation at $T_C = 25\text{ }^\circ\text{C}$	200	W
T_J	Operating junction temperature	-55 to 175	$^\circ\text{C}$
T_{stg}	Storage temperature		$^\circ\text{C}$

1. This value is limited by package
2. Pulse width is limited by safe operating area

Table 3. Thermal data

Symbol	Parameter	Value	Unit
$R_{thj-pcb}^{(1)}$	Thermal resistance junction-pcb max	35	$^\circ\text{C/W}$
$R_{thj-case}$	Thermal resistance junction-case max	0.75	$^\circ\text{C/W}$

1. When mounted on FR-4 board of 1inch², 2oz Cu, t < 10 sec

2 Electrical characteristics

($T_C = 25\text{ °C}$ unless otherwise specified)

Table 4. On /off states

Symbol	Parameter	Test conditions	Min.	Typ.	Max.	Unit
$V_{(BR)DSS}$	Drain-source breakdown voltage	$I_D = 250\ \mu\text{A}$, $V_{GS} = 0\ \text{V}$	40			V
I_{DSS}	Zero gate voltage drain current	$V_{DS} = 40\ \text{V}$, $V_{GS} = 0\ \text{V}$			1	μA
		$V_{DS} = 40\ \text{V}$, $T_C = 125\text{ °C}$, $V_{GS} = 0\ \text{V}$			100	μA
I_{GSS}	Gate-body leakage current	$V_{DS} = 0$, $V_{GS} = +20\ \text{V}$			± 100	nA
$V_{GS(th)}$	Gate threshold voltage	$V_{DS} = V_{GS}$, $I_D = 250\ \mu\text{A}$	1.2			V
$R_{DS(on)}$	Static drain-source on-resistance	$V_{GS} = 10\ \text{V}$, $I_D = 55\ \text{A}$		1.2	1.6	$\text{m}\Omega$
		$V_{GS} = 4.5\ \text{V}$, $I_D = 55\ \text{A}$		1.5	1.9	$\text{m}\Omega$

Table 5. Dynamic

Symbol	Parameter	Test conditions	Min.	Typ.	Max.	Unit
C_{iss}	Input capacitance	$V_{DS} = 20\ \text{V}$, $f = 1\ \text{MHz}$, $V_{GS} = 0$	-	7900	-	pF
C_{oss}	Output capacitance		-	2185	-	pF
C_{riss}	Reverse transfer capacitance		-	78	-	pF
Q_g	Total gate charge	$V_{DD} = 20\ \text{V}$, $I_D = 180\ \text{A}$, $V_{GS} = 4.5\ \text{V}$ (see Figure 3)	-	52	-	nC
Q_{gs}	Gate-source charge		-	25	-	nC
Q_{gd}	Gate-drain charge		-	10	-	nC

Table 6. Switching times

Symbol	Parameter	Test conditions	Min.	Typ.	Max.	Unit
$t_{d(on)}$	Turn-on delay time	$V_{DD} = 20\ \text{V}$, $I_D = 90\ \text{A}$, $R_G = 4.7\ \Omega$, $V_{GS} = 10\ \text{V}$ (see Figure 7)	-	44	-	ns
t_r	Rise time		-	42	-	ns
$t_{d(off)}$	Turn-off delay time		-	171	-	ns
t_f	Fall time		-	37	-	ns

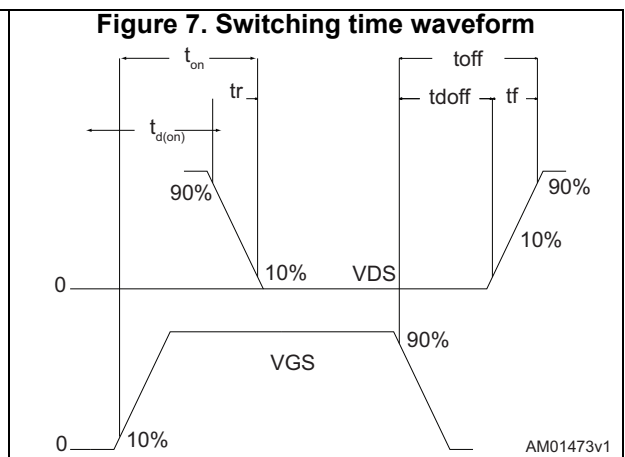
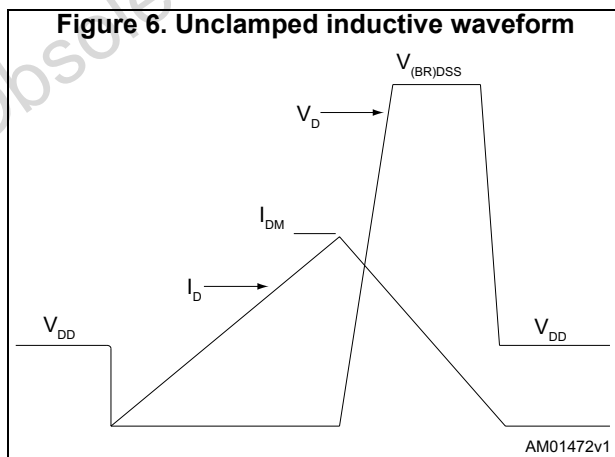
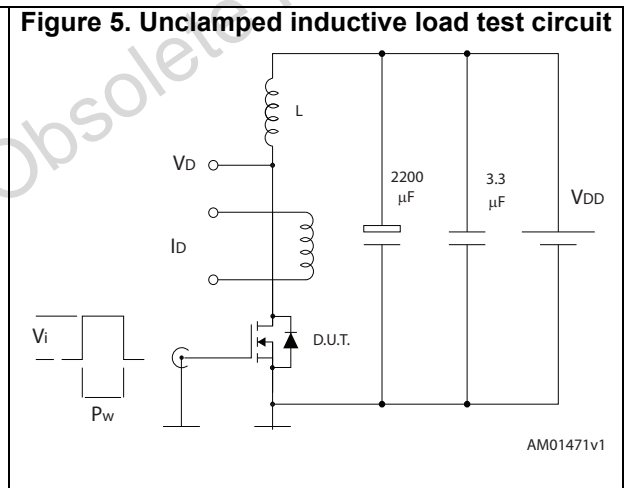
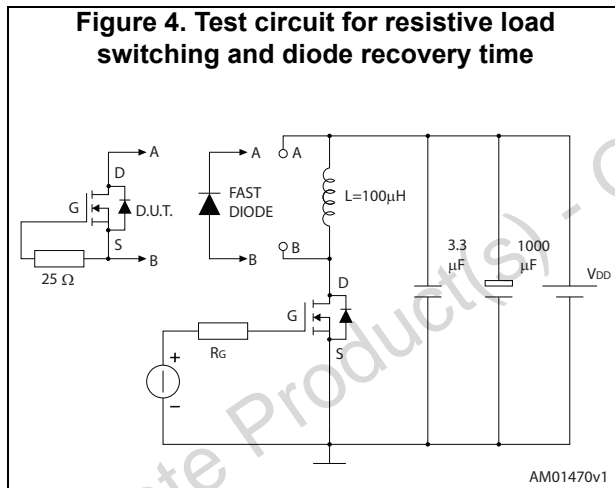
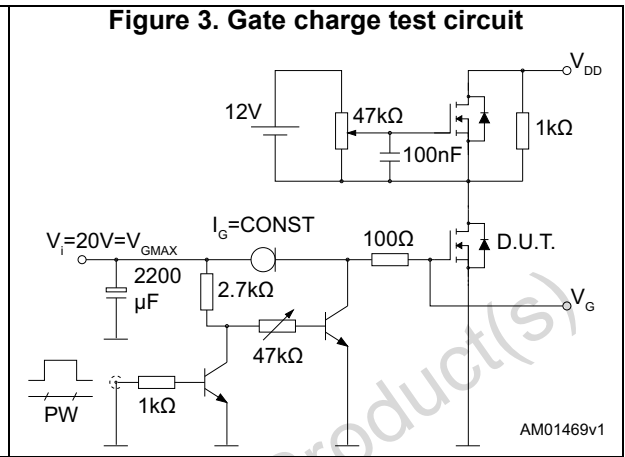
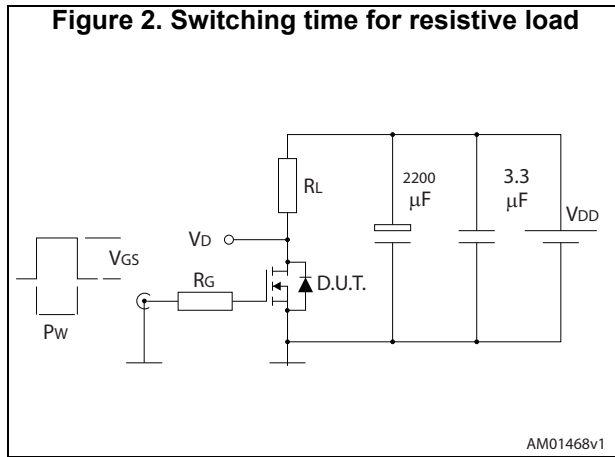
Table 7. Source drain diode

Symbol	Parameter	Test conditions	Min.	Typ.	Max.	Unit
$V_{SD}^{(1)}$	Forward on voltage	$I_{SD} = 180\text{ A}, V_{GS} = 0$	-		1.1	V
t_{rr}	Reverse recovery time	$I_{SD} = 180\text{ A}, di/dt = 100\text{ A}/\mu\text{s}$ $V_{DD} = 32\text{ V}, T_J = 25\text{ }^\circ\text{C}$ (see Figure 4)	-	68		ns
Q_{rr}	Reverse recovery charge		-	105		nC
I_{RRM}	Reverse recovery current		-	3.1		A

1. Pulsed: pulse duration = 300 μs , duty cycle 1.5%.

Obsolete Product(s) - Obsolete Product(s)

3 Test circuits



4 Package information

In order to meet environmental requirements, ST offers these devices in different grades of ECOPACK[®] packages, depending on their level of environmental compliance. ECOPACK[®] specifications, grade definitions and product status are available at: www.st.com. ECOPACK[®] is an ST trademark.

Obsolete Product(s) - Obsolete Product(s)

4.1 H²PAK-2 package information

Figure 8. H²PAK-2 package outline

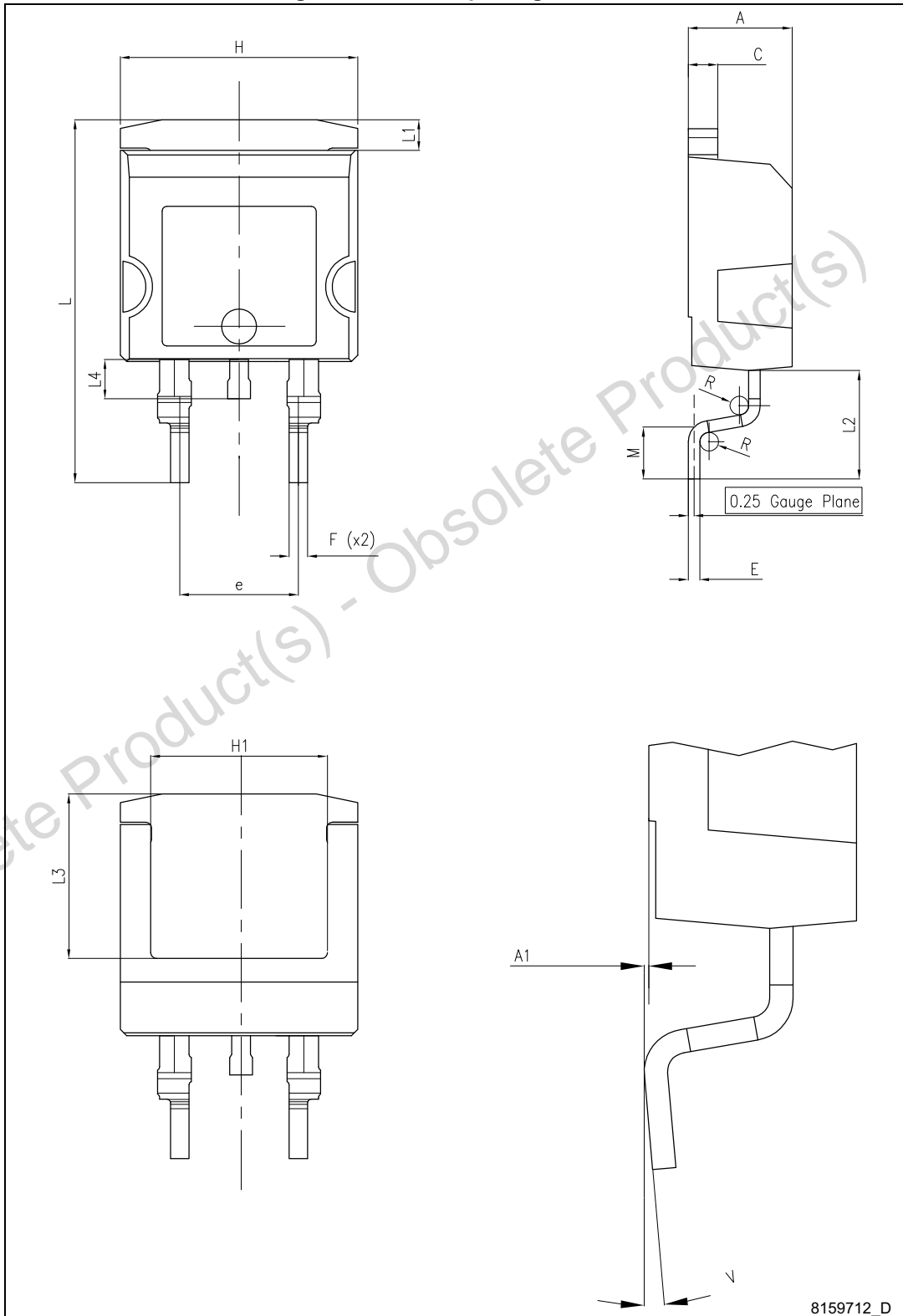
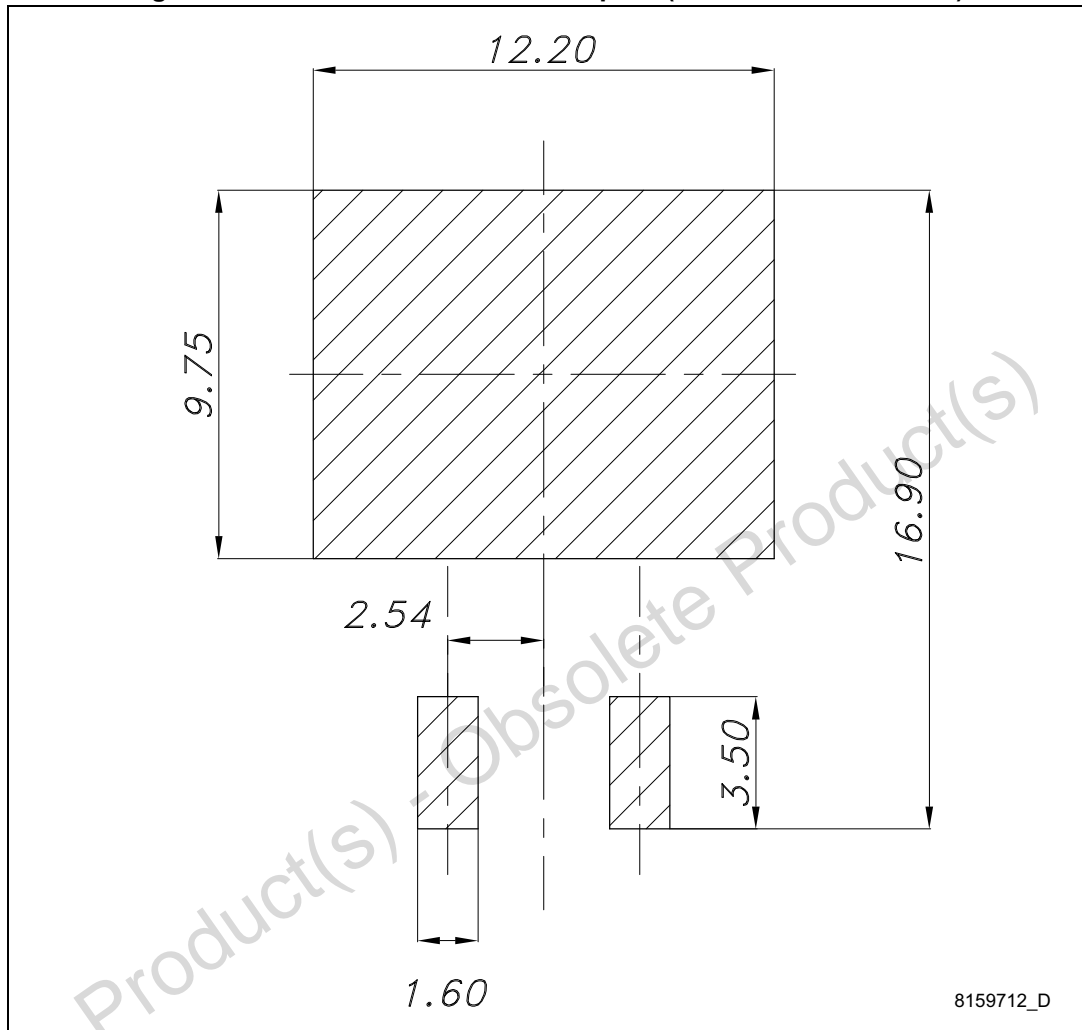


Table 8. H²PAK-2 mechanical data

Dim.	mm		
	Min.	Typ.	Max.
A	4.30		4.80
A1	0.03		0.20
C	1.17		1.37
e	4.98		5.18
E	0.50		0.90
F	0.78		0.85
H	10.00		10.40
H1	7.40		7.80
L	15.30		15.80
L1	1.27		1.40
L2	4.93		5.23
L3	6.85		7.25
L4	1.5		1.7
M	2.6		2.9
R	0.20		0.60
V	0°		8°

Figure 9. H²PAK-2 recommended footprint (dimensions are in mm)



8159712_D

4.2 H²PAK-6 package information

Figure 10. H²PAK-6 package outline

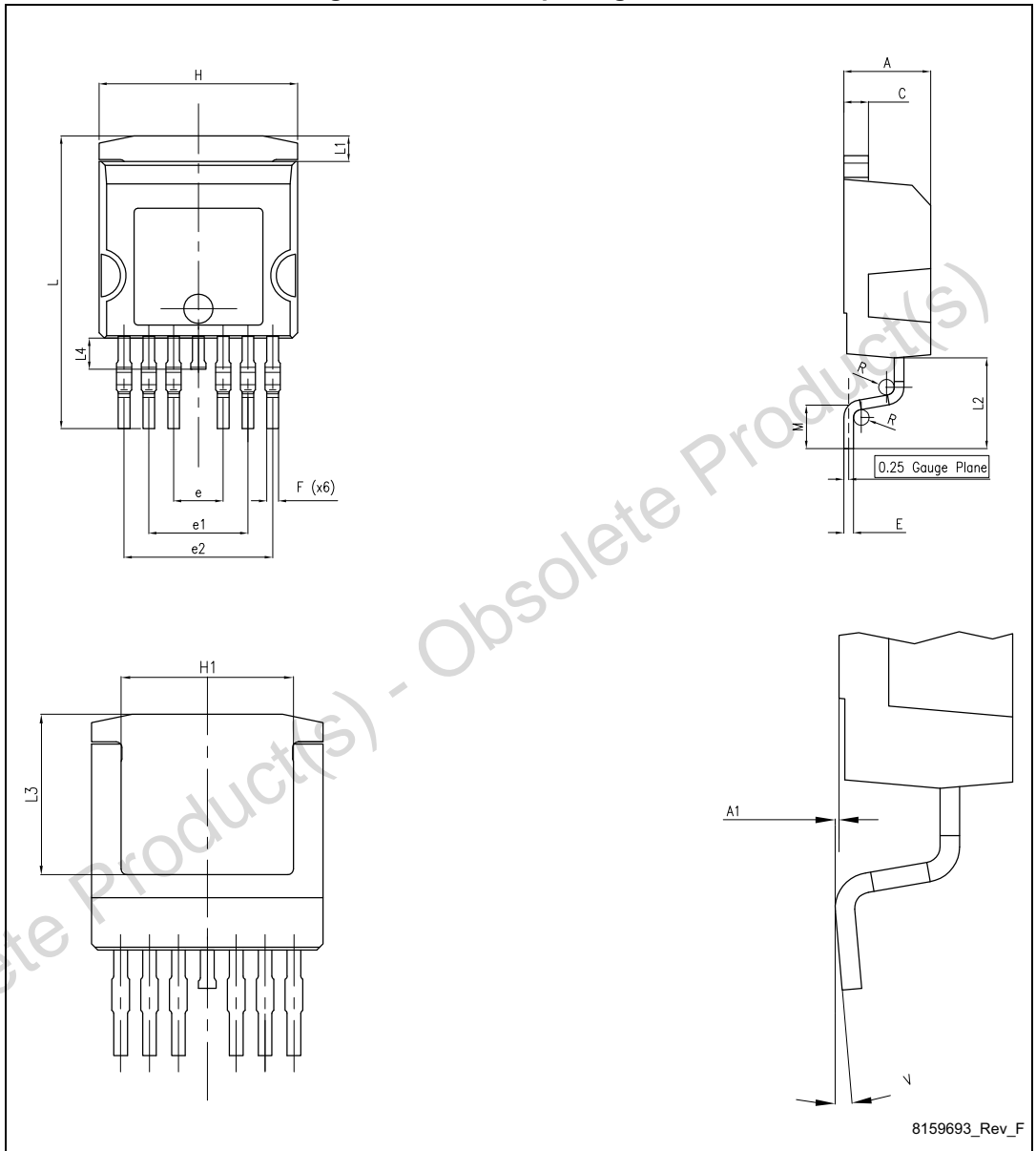
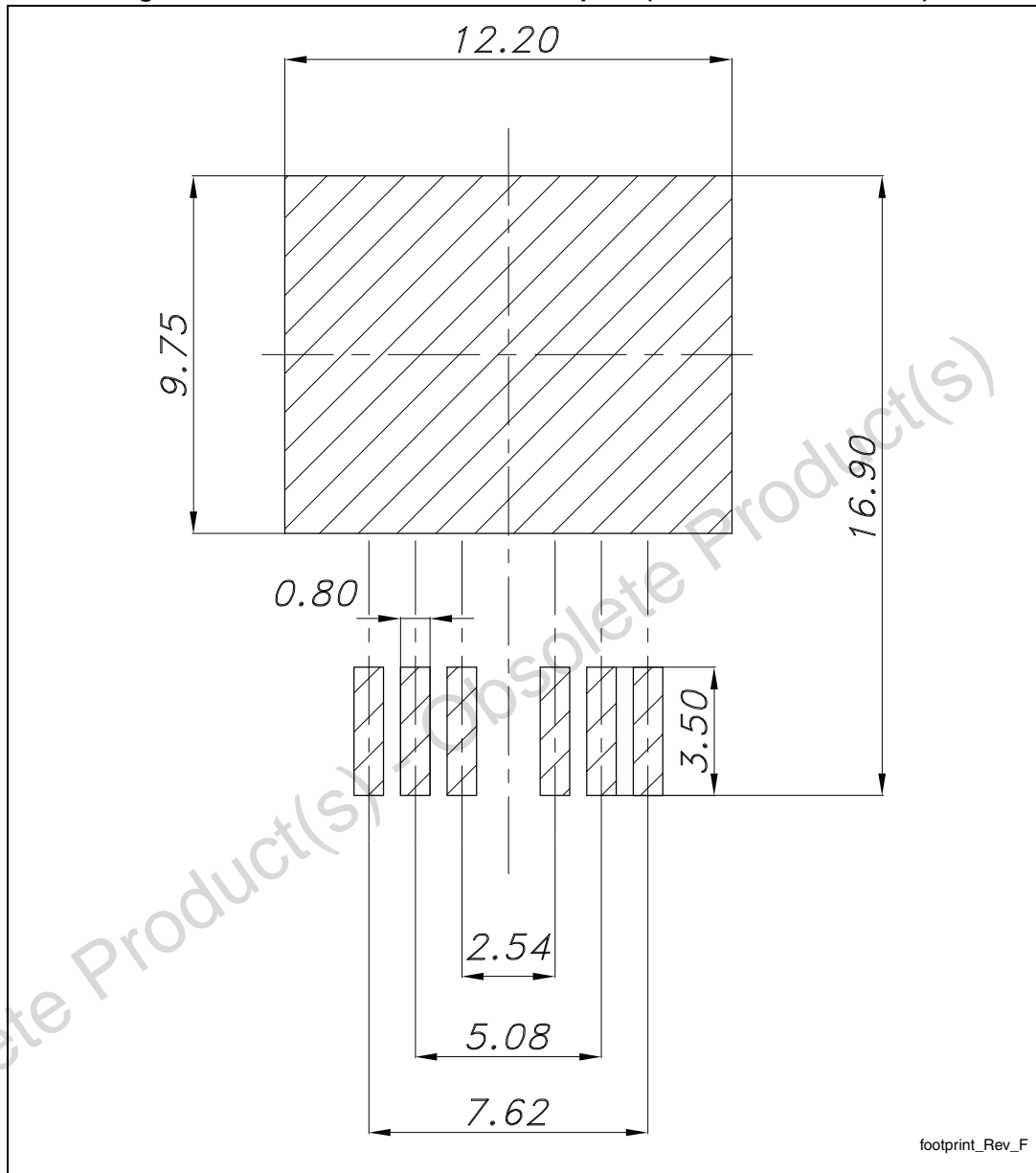


Table 9. H²PAK-6 package mechanical data

Dim.	mm		
	Min.	Typ.	Max.
A	4.30		4.80
A1	0.03		0.20
C	1.17		1.37
e	2.34		2.74
e1	4.88		5.28
e2	7.42		7.82
E	0.45		0.60
F	0.50		0.70
H	10.00		10.40
H1	7.40		7.80
L	14.75		15.25
L1	1.27		1.40
L2	4.35		4.95
L3	6.85		7.25
L4	1.5		1.75
M	1.90		2.50
R	0.20		0.60
V	0°		8°

Figure 11. H²PAK-6 recommended footprint (dimensions are in mm)



4.3 Packing information

Figure 12. Tape

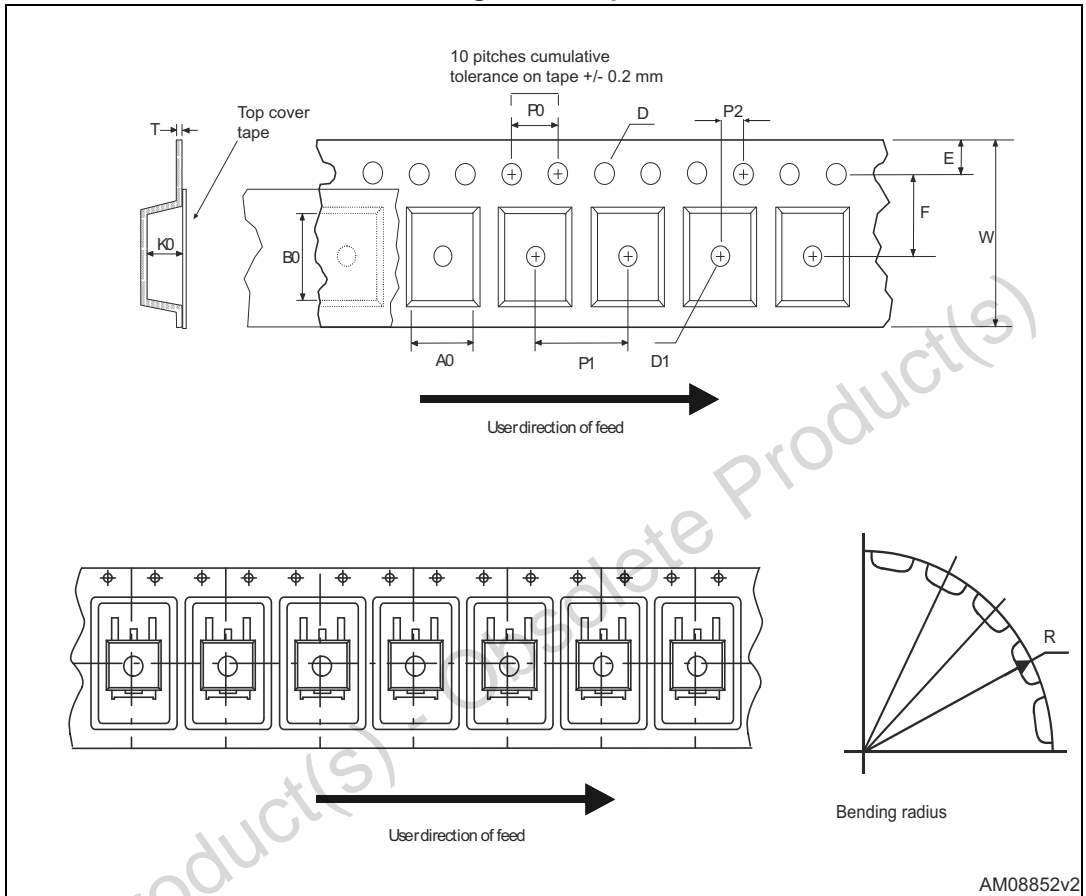


Figure 13. Reel

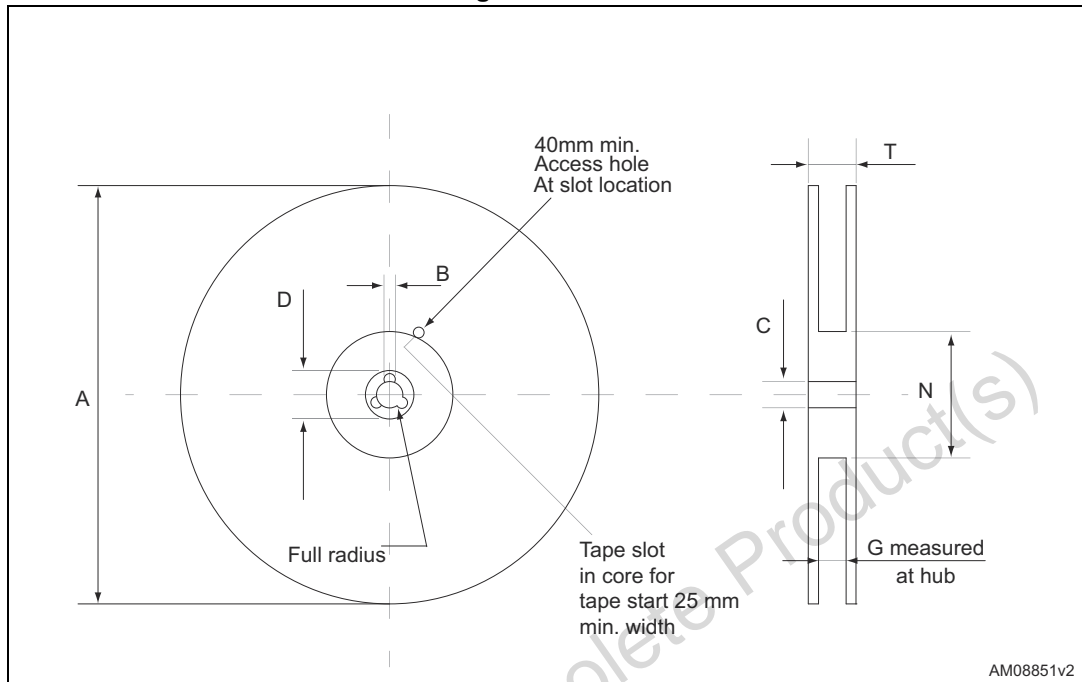


Table 10. H²PAK-2 tape and reel mechanical data

Tape			Reel		
Dim.	mm		Dim.	mm	
	Min.	Max.		Min.	Max.
A0	10.5	10.7	A		330
B0	15.7	15.9	B	1.5	
D	1.5	1.6	C	12.8	13.2
D1	1.59	1.61	D	20.2	
E	1.65	1.85	G	24.4	26.4
F	11.4	11.6	N	100	
K0	4.8	5.0	T		30.4
P0	3.9	4.1			
P1	11.9	12.1	Base qty		1000
P2	1.9	2.1	Bulk qty		1000
R	50				
T	0.25	0.35			
W	23.7	24.3			

5 Revision history

Table 11. Document revision history

Date	Revision	Changes
27-Aug-2015	1	First release
11-Nov-2015	2	Updated title and description. Added 4.2: H ² PAK-6 package information Updated Table 1: Device summary. Minor text changes.
24-Nov-2015	3	Updated title and features. Updated Table 2.: Absolute maximum ratings , Table 4.: On /off states , Table 5.: Dynamic and Table 7.: Source drain diode Minor text changes.

IMPORTANT NOTICE – PLEASE READ CAREFULLY

STMicroelectronics NV and its subsidiaries ("ST") reserve the right to make changes, corrections, enhancements, modifications, and improvements to ST products and/or to this document at any time without notice. Purchasers should obtain the latest relevant information on ST products before placing orders. ST products are sold pursuant to ST's terms and conditions of sale in place at the time of order acknowledgement.

Purchasers are solely responsible for the choice, selection, and use of ST products and ST assumes no liability for application assistance or the design of Purchasers' products.

No license, express or implied, to any intellectual property right is granted by ST herein.

Resale of ST products with provisions different from the information set forth herein shall void any warranty granted by ST for such product.

ST and the ST logo are trademarks of ST. All other product or service names are the property of their respective owners.

Information in this document supersedes and replaces information previously supplied in any prior versions of this document.

© 2015 STMicroelectronics – All rights reserved

