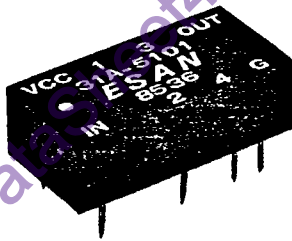


Active Delay Line

- 14 Pin Package • TTL and DTL Compatible • 5 Taps Output



Specifications:

- Delay tolerance : $\pm 5\%$ or 2ns whichever is greater
- Rise time : 4ns max.
- Temp. coefficient : 100 ppm/ $^{\circ}\text{C}$
- Operating Temp. Range: -0°C to 70°C (-55°C to $+125^{\circ}\text{C}$ on request)
- Minimum Pulse Width : 40% of total delay
- Supply Voltage : $5\text{V}_{\text{DC}} \pm 5\%$
- Logic 1 Input current : 50 μA max.
- Logic 0 Input current : -2 mA max.
- Logic 1 Output : min 2.75V
- Logic 0 Output : max. 0.4V
- Logic 1 Fan out : 20/TAP max.
- Logic 0 Fan out : 10/TAP max.
- Power Dissipation : 375 mW max.

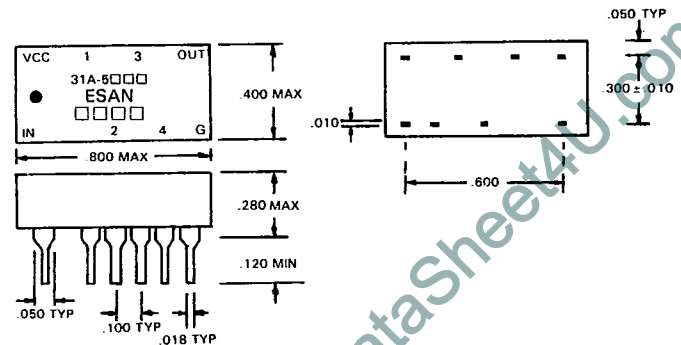
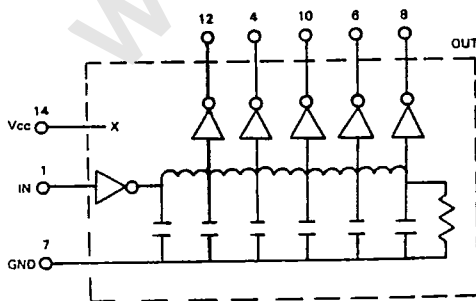
Test Conditions:

- Input pulse voltage : 3.2V
- Input pulse width : $1.2 \times$ total delay
- Input pulse spacing : $2 \times$ total delay
- Input pulse rise time: 2 ns
- Rise time : 0.75V to 2.4V
- Time delay measured : @1.5V level
- All measurement : @ $V_{\text{CC}} = 5.0\text{V}$, $T_{\text{A}} = 25^{\circ}\text{C}$

Features:

- Schottky TTL interface
- Low power schottky available named "31AL-5xxx" series
- Both Leading and Trailing edge available under request named "31B-5xxx" series
- Ceramic IC meet MIL-STD 883 level B available named "31AM-5xxx" series

PART NO.	TOTAL DELAY (ns)	TAP (ns)
31A-5250	25	5
31A-5500	50	10
31A-5750	75	15
31A-5101	100	20
31A-5125	125	25
31A-5151	150	30
31A-5201	200	40
31A-5251	250	50
31A-5301	300	60
31A-5401	400	80
31A-5501	500	100



Unit: Inch