

DIODE TRANSFER SWITCHES

0.025 - 18 GHz

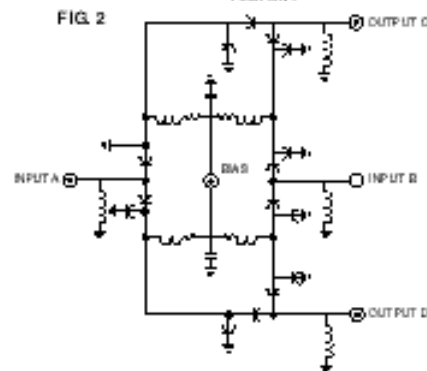
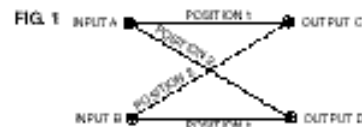
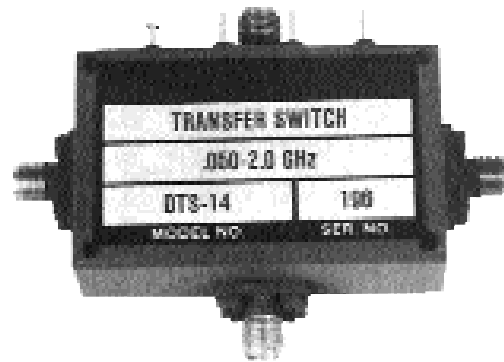
SERIES DTS

GENERAL INFORMATION

Series DTS transfer switches allow power entering two input ports, A and B, to exit from output ports C and D respectively, or by appropriate switching, to exit from ports D and C respectively. A functional schematic of a transfer is shown in Fig. 1, and a typical circuit is shown in Fig. 2.

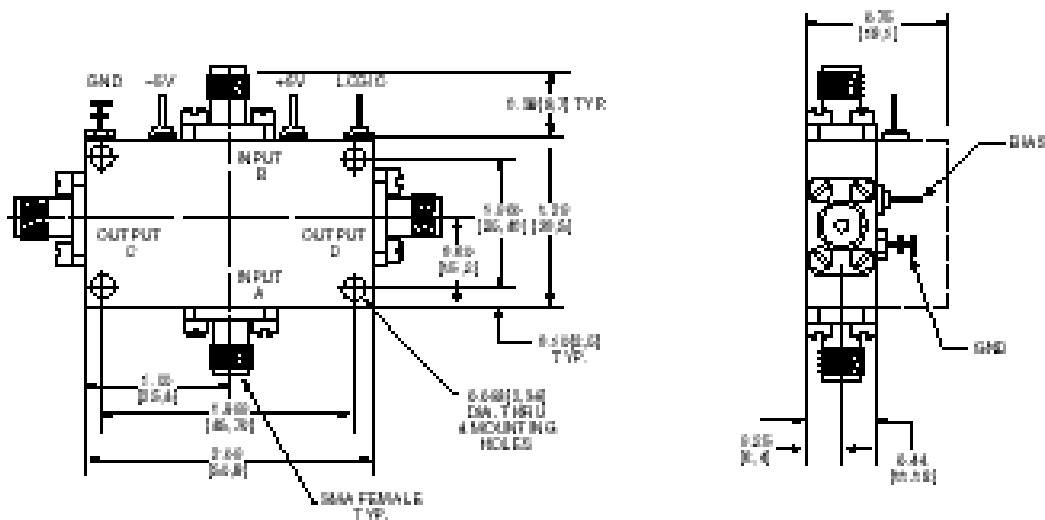
GENERAL SPECIFICATIONS

Frequency Coverage:	0.025 to 18.0 GHz.
RF Impedance:	50 OHMS.
DC Requirements:	For all units with driver Logic "0" = Ins. Loss A→C, B→D Isol. A→D, B→C Logic "1" = Ins. Loss A→D, B→C Isol. A→C, B→D
Temperature Information:	Operating temperature from -55°C to +85°C.
Switching Speed:	10% to 90% or 90% to 10% of RF. There is an additional 20 nanosec of driver delay.
Typical:	1 μsec
Connectors:	SMA



ELECTRICAL PERFORMANCE

Model No.	Frequency Range GHz	Ins Loss dB Maximum	VSWR Maximum	Isolation dB		Maximum Power Handling Ability	
				Minimum	Maximum	Watts PK	Watts Avg.
DTS-12	0.025-0.25	0.75	1.6	60	5	1.0	1.0
DTS-18	0.10-0.50	1.0	1.5	60	5	1.0	1.0
DTS-27	0.5-1.0	0.8	1.5	60	2	0.5	0.5
DTS-29	0.5-2.0	1.0	1.5	60	5	1.0	1.0
DTS-33	1.0-2.0	1.0	1.5	60	2	0.5	0.5
DTS-45	1.7-2.4	1.2	1.5	50	5	1.0	1.0
DTS-48	2.0-4.0	1.5	1.5	50	2	0.5	0.5
DTS-58	4.0-8.0	1.8	1.6	40	5	1.0	1.0
DTS-75	6.0-18.0	3.2	2.0	30	2	0.5	0.5



KEY: Inches[Millimeters] .XX ±.03 .XXX ±.010 [.X ±0.8 .XX ±0.25]



KDI / TRIANGLE CORPORATION
An MCE Company

60 South Jefferson Road, Whippany, NJ 07981
Tel: 973-887-8100 • Fax: 973-884-0445
E-Mail: kdisales@aol.com
See us on the web @ www.kditriangle.com

www.DataSheet4U.com