

56F8300

**3-Phase AC Induction Motor V/Hz Control
using Processor Expert™
*Targeting Document***

**56F8300
16-bit Digital Signal Controllers**

www.DataSheet4U.com

8300ACIMTD
Rev. 1
08/2005

freescale.com



Document Revision History

Version History	Description of Change
Rev 0	Initial release
Rev 1	Updating format; adding references to 56F8100 family and 56F8367EVM

3-Phase AC Induction Motor Control V/Hz Application - Closed Loop

This application demonstrates a principal of the Volts per Hertz (V/Hz) control of the 3-Phase AC Induction motor in closed-loop using the 56F8346, 56F8357 or 56F8367 EVM board, Optoisolation board, and 3-phase AC BLDC high-voltage power stage.

Applications developed for this demonstration board were not designed for the 56F8100 devices. The 56F8300 demonstration board does, however, fully support 56F8100 software development.

1. Specifications

This application performs principal control of the 3-phase AC induction motor using a 56F8300 processor. The control technique sets the speed (rpm or Hz) of the magnetic field and calculates the phase voltage amplitude according to a V/Hz table. This table is private to the application and reflects AC induction motor parameters (Base Voltage/frequency; Boost Voltage/frequency; DC Boost Voltage). The incremental encoder is used to derive the actual rotor speed.

The closed-loop system is characterized by a feedback signal (Actual speed), derived from a quadrature decoder in the controlled system. This signal monitors the actual behavior of the system, and is compared with the reference signal (Required Speed). The magnitude and polarity of the resulting error signal are directly related to the difference between the required and actual values of the controlled variable, which may be the speed of a motor. The error signal is amplified by the controller, and the controller output makes a correction to the controlled system, reducing the error signal.

Protection is provided against drive faults Overcurrent, Overvoltage, Undervoltage, and Overheating.

www.DataSheet4U.com

System Outline

The system is designed to drive a 3-phase AC Induction Motor (ACIM). The application has the following specifications:

- Volt per Hertz control technique used for ACIM control
- Closed-loop control
- Targeted for 56F8346, 56F8357 or 56F8367 EVM
- Running on 3-phase AC induction motor control development platform at variable line voltage 115V AC and 230V AC (range -15% to +10%)
- Motor mode
- Generator mode
- DCBus brake
- Minimum speed 50rpm
- Maximum speed 2250rpm at input power line 230V AC

- Maximum speed 1200rpm at input power line 115V AC
- Power stage and optoisolation board identification
- Fault protection
- Manual interface (RUN/STOP switch; UP/DOWN push buttons control; LED indication)
- PC master software remote control interface (speed set-up)

PC master software remote monitor — PC master software monitor interface (required speed; actual motor speed; drive fault status; DCBus voltage level; identified power stage boards)

Application Description

The Volt per Hertz control algorithm is calculated on the Freescale 56F8300 devices. The algorithm generates the 3-phase PWM signals for AC induction motor inverter according to the user-required inputs, measured and calculated signals.

The concept of the ACIM drive incorporates the following hardware components:

- AC induction motor-brake set
- 3-phase AC/BLDC high voltage power stage
- 56F8346, 56F8357 or 56F8367 EVM board
- Optoisolation box, which is connected between the power stage board and the EVM

The AC induction motor-brake set incorporates a 3-phase AC induction motor and attached BLDC motor brake. The AC induction motor has four poles. The incremental position sensor (encoder) is coupled on the motor shaft. The detailed motor-brake specifications are listed in [Table 1-1](#).

Table 1-1 Motor-Brake Specifications

Set Manufactured	EM Brno, Czech Republic	
Motor Specification	Motor Type	AM40V 3-Phase AC Induction Motor
	Pole-Number	4
	Nominal Speed	1300rpm
	Nominal Voltage	3 x 200V
	Nominal Current	0.88A
Brake Specification	Brake Type	SG40N 3-Phase BLDC Motor
	Pole-Number	6
	Nominal Speed	1500rpm
	Nominal Voltage	3 x 27V
	Nominal Current	2.6A
Position Sensor (Encoder)	Type	Baumer Electric BHK 16.05A 1024-12.5
	Pulses per revolution	1024

The following software tools are needed for compiling, debugging, loading to the EVM, remote control and monitoring, RUN/STOP Switch and UP/DOWN Buttons:

- Metrowerks CodeWarrior 6.0
- PC master software
- Processor Expert v. 2.92

Measured quantities include:

- DCBus voltage
- Power module temperature
- Rotor speed

The faults used for drive protection:

- Overvoltage (PC master software error message = "Overvoltage fault")
- Undervoltage (PC master software error message = "Undervoltage fault")
- Overcurrent (PC master software error message = "Overcurrent fault")
- Overheating (PC master software error message = "Overheating fault")
- Wrong hardware (PC master software error message = "Wrong HW used")

The 3-phase AC Induction Motor V/Hz application can operate in two modes:

1. Manual Operating Mode

The drive is controlled by the RUN/STOP switch (S3). The motor speed is set by the UP (S2) and DOWN (S1) push buttons (**Figure 1-1**). If the application runs and motor spinning is disabled (i.e., the system is ready), the green user LED (LED2; see **Figure 1-2**) will blink. When motor

spinning is enabled, the green user LED will be on and the actual state of the PWM outputs are indicated by PWM output LEDs. If Overcurrent, Overvoltage or Overheating occur, or if the wrong system board is identified, the green user LED starts to flash quickly and the PC master software signals the identified type of fault. This state can be exited only by an application RESET. It is strongly recommended that you inspect the entire application to locate the source of the fault before starting it again. Refer to [Table 1-2](#) for application states.

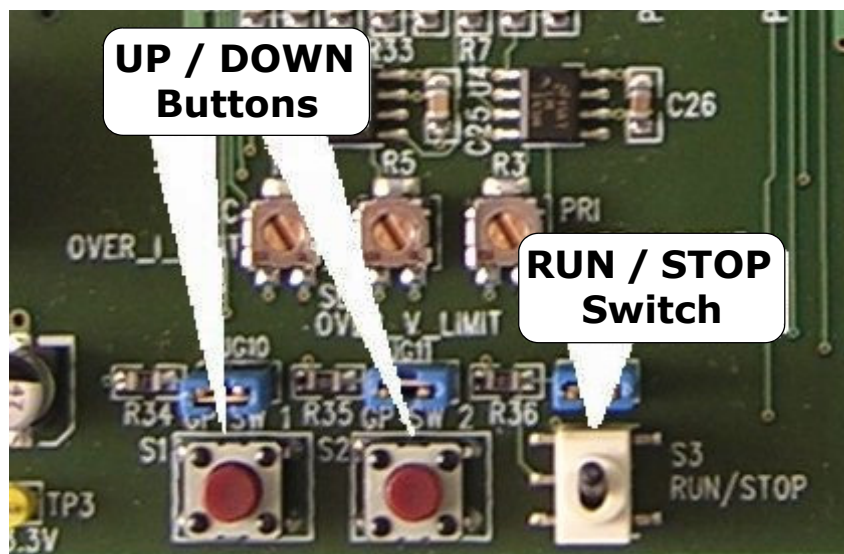


Figure 1-1 RUN/STOP Switch and UP/DOWN Buttons on the Daughter Card

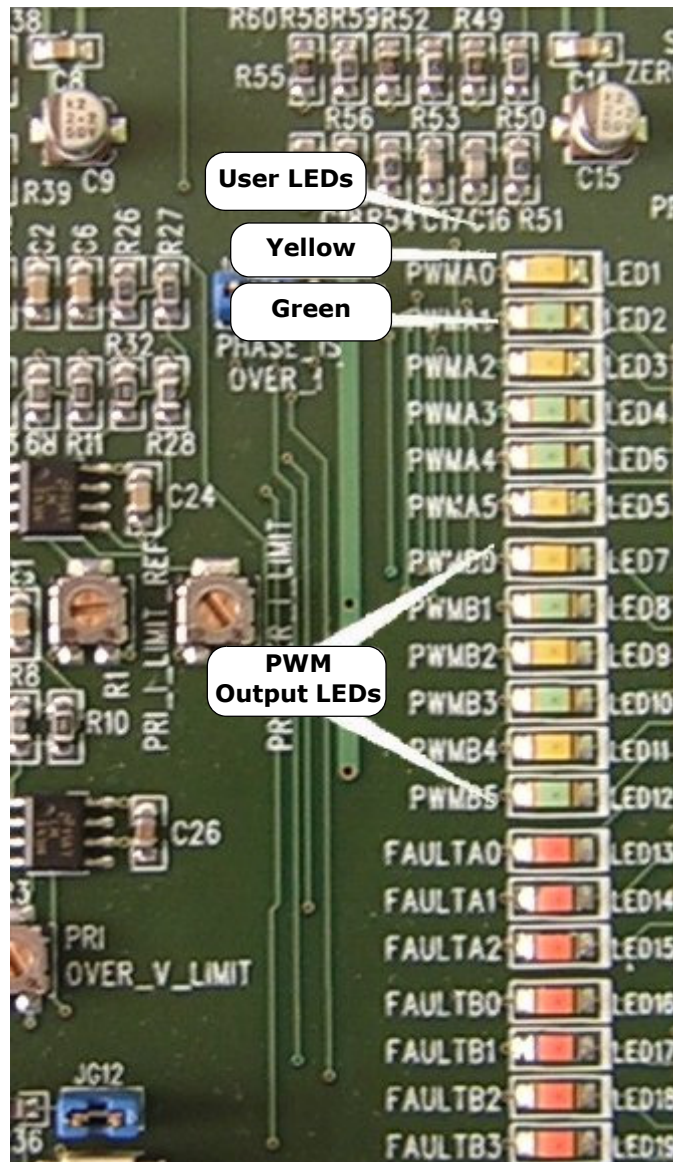


Figure 1-2 USER and PWM LEDs on the Daughter Card

Table 1-2 Motor Application States

Application State	Motor State	Green LED State
Stopped	Stopped	Blinking at a frequency of 2Hz
Running	Spinning	On
Fault	Stopped	Blinking at a frequency of 8Hz

2. PC Master Software (Remote) Operating Mode

The drive is controlled remotely from a PC through the SCI communication channel of the CPU device via an RS-232 physical interface. The drive is enabled by the RUN/STOP switch, which can be used to safely stop the application at any time.

The following control actions are supported:

- Set the Required Speed of the motor
- Set Close/Open loop by checking/unchecking the “Close Loop” checkbox; see [Figure 1-3](#)

PC master software displays the following information:

- Actual and Required Speed of the motor
- Phase voltage amplitude (related to given DCBus voltage)
- Application mode - RUN/STOP
- DCBus voltage and temperature of power module
- Drive Fault status
- Identified hardware

If Overcurrent, Overvoltage, Undervoltage or Overheating occur, the internal fault logic is asserted and the application enters a fault state (the user LED will flash quickly). This state can be exited only by an application RESET. It is strongly recommended that you inspect the entire application to locate the source of the fault before starting it again.

Project files for the PC master software are located in project directory in:

..\PC_Master\sdm_external_memory.pmp, which uses the Map file to run in the small memory model of the external memory

..\PC_Master\ldm_external_memory.pmp, which uses the Map file to run in the large memory model of the external memory

..\PC_Master\sdm_pROM-xRAM.pmp, which uses the Map file to run in the small memory model of the internal memory

..\PC_Master\ldm_pROM-xRAM.pmp, which uses the Map file to run in the large memory model of the internal memory

..\PC_Master\sdm_xROM-xRAM.pmp, which uses the Map file to run in the small memory model of the internal memory

..\PC_Master\ldm_xROM-xRAM.pmp, which uses the Map file to run in the large memory model of the internal memory

Start the PC master software window's application and choose the PC master software project for the desired PC master software Operating Mode. [Figure 1-3](#) shows the PC master software control window for **internal pROM-xRAM.pmp**.

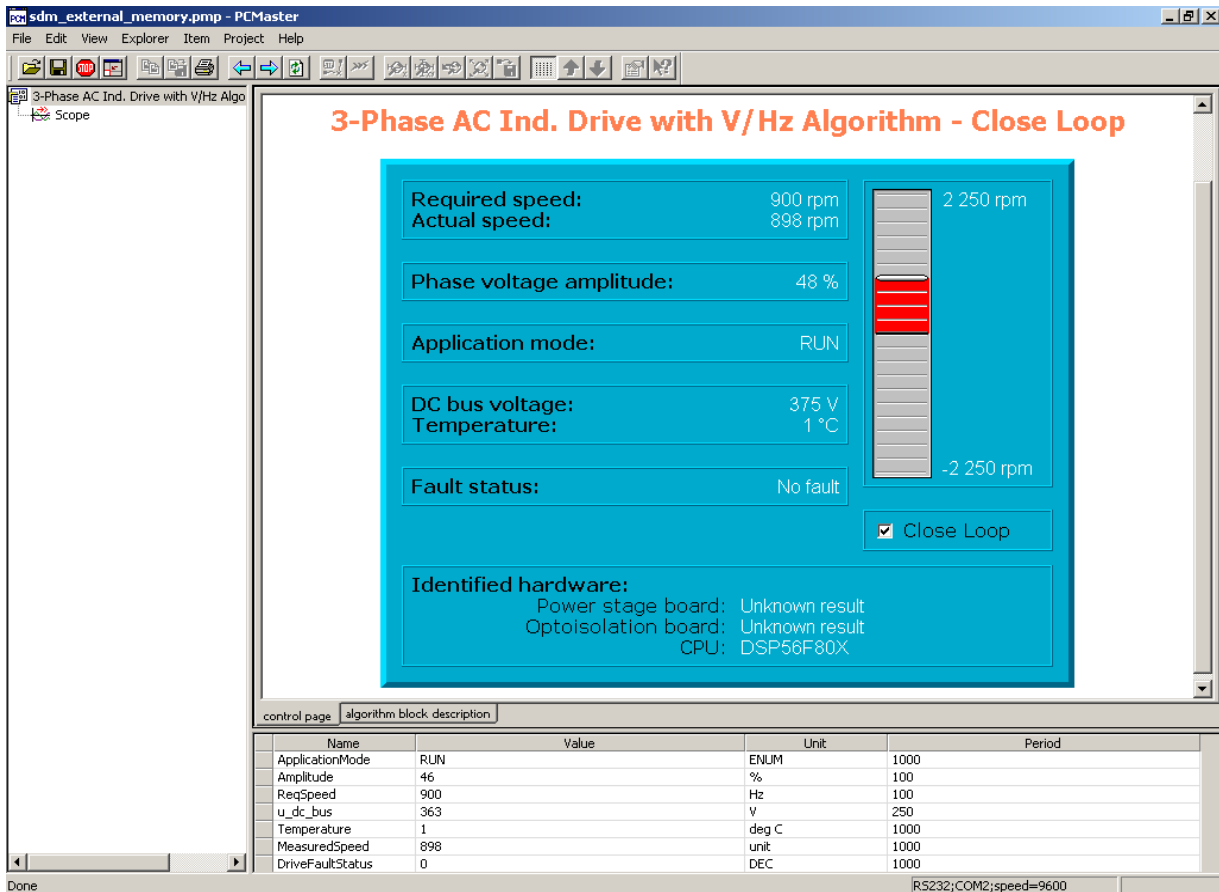
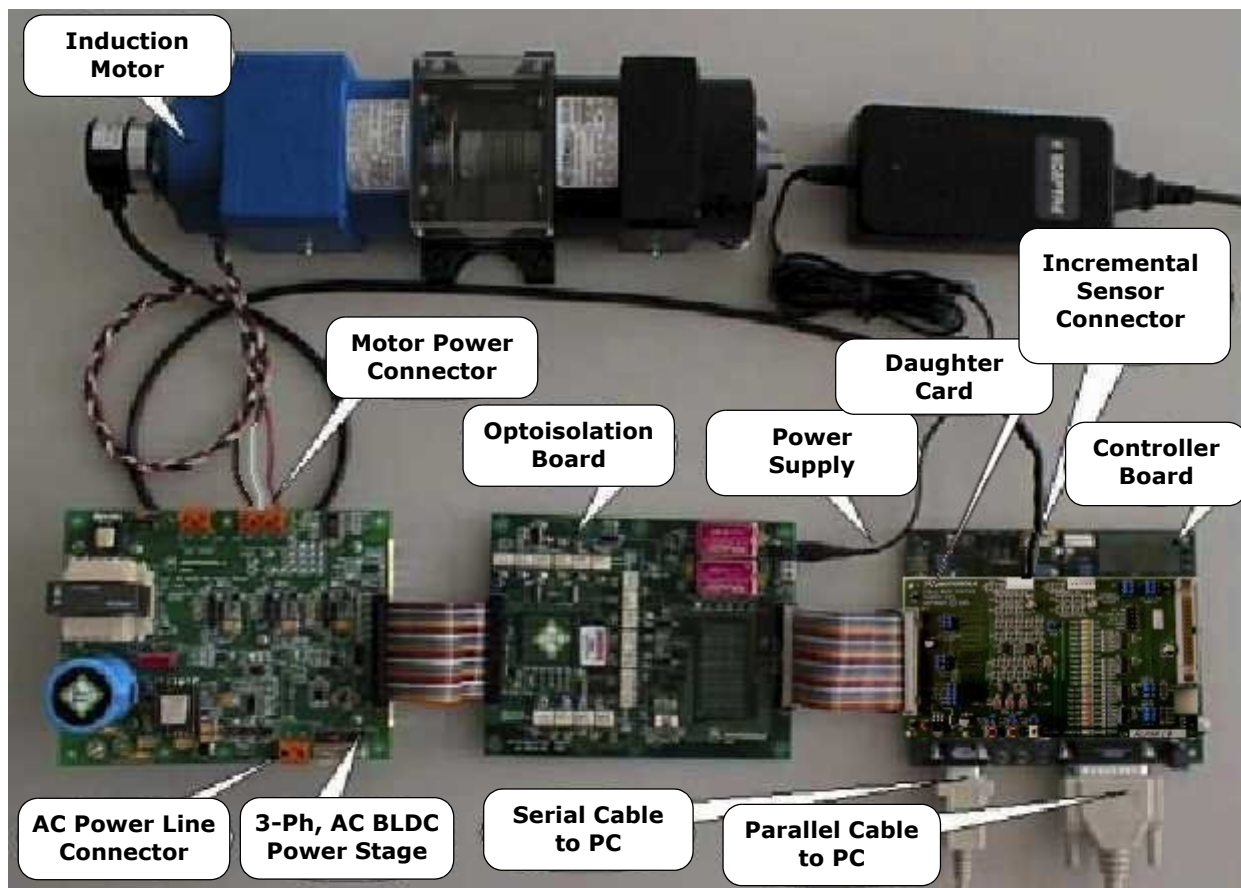


Figure 1-3 PC Master Software Control Window

2. Hardware Set-up

Figure 2-1 illustrates the hardware set-up for the 3-phase AC Induction Motor Control V/Hz A Application - Closed Loop.



www.DataSheet4U.com

Figure 2-1 Set-up of the 3-phase AC Induction Motor Control Application - Closed Loop

The correct order of phases (Phase A, Phase B, Phase C) for the AC induction motor shown in **Figure 2-1** is:

- Phase A = red wire
- Phase B = white wire
- Phase C = black wire

When facing a motor shaft, the phase order is: Phase A, Phase B, Phase C; the motor shaft should rotate clockwise (i.e., positive direction, positive speed).

For detailed information, see the 56F83xx EVM User Manual for the device being implemented. The serial cable is needed for the PC master software debugging tool only.

2.1 EVM Jumper Settings

For jumper settings, see the **56F8346 Evaluation Module Hardware User's Manual**, **56F8357 Evaluation Module Hardware User's Manual** or **56F8367 Evaluation Module Hardware User's Manual**.

To execute the 3-phase AC Induction Motor Control V/Hz Application - Closed Loop, the 56F8300 Daughter Card requires the strap settings shown in **Figure 2-2** and **Table 2-1**.

Note: When running the EVM target system in a stand-alone mode from Flash, in the **56F8346EVM** the **JG9** jumper must be set in the 1-2 configuration to disable the command converter parallel port interface. In the **56F8357** or **56F8367 EVM**, the **JG3** jumper must be set in the 1-2 configuration to disable the command converter parallel port interface.

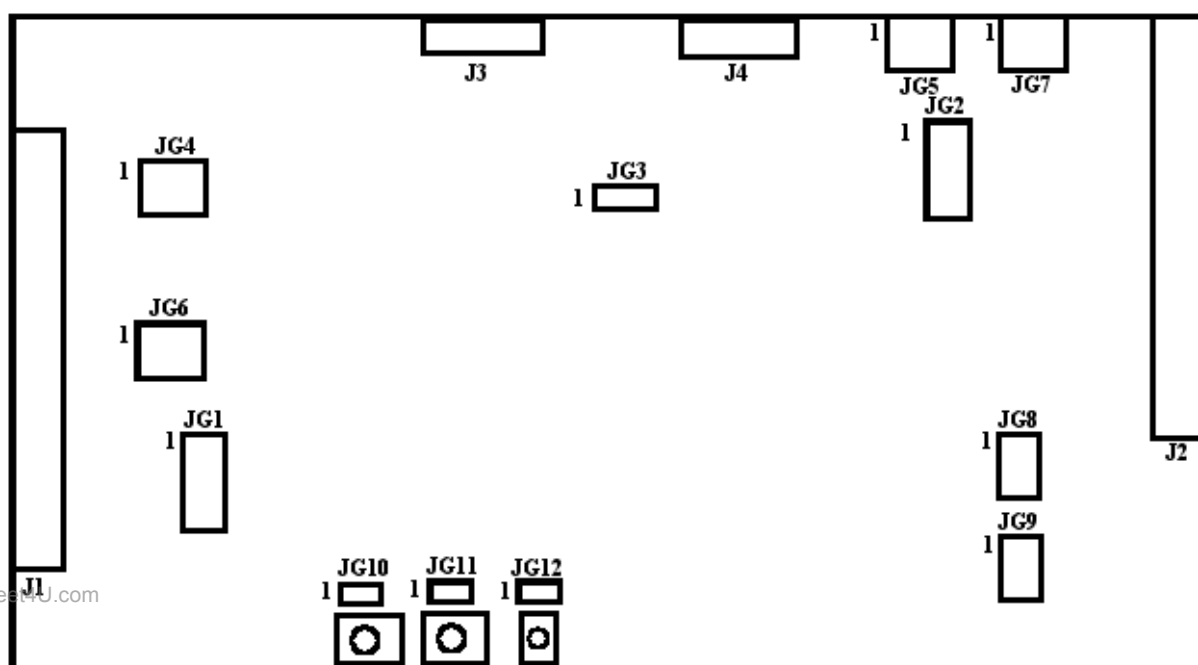


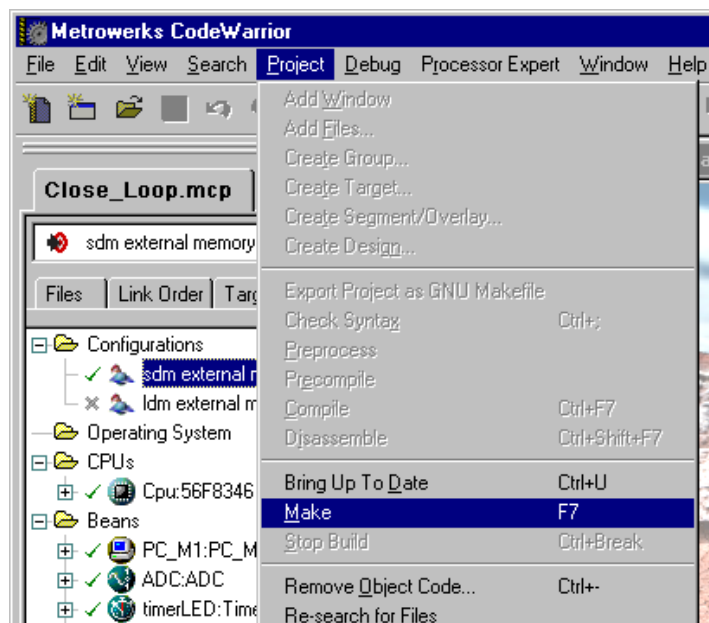
Figure 2-2 56F8300EVM Daughter Card Jumper Reference

Table 2-1 56F8300EVM Daughter Card Jumper Settings

Jumper Group	Comment	Connections
JG1	Primary PFC	1-2, 3-4, 5-6, 7-8, 9-10
JG2	Secondary PFC	NC
JG3	Phase_IS / Over_I	2-3
JG4	Primary Zero-Crossing / Encoder	2-3, 5-6, 8-9
JG5	Secondary Zero-Crossing / Encoder	2-3, 5-6, 8-9
JG6	Primary Back-EMF / Phase-IS	1-2, 4-5, 7-8
JG7	Secondary Back-EMF / Phase-IS	1-2, 4-5, 7-8
JG8	Fault A Monitor	1-2, 3-4, 5-6
JG9	Fault B Monitor	1-2, 3-4, 5-6
JG10	Switch 1	1-2
JG11	Switch 2	1-2
JG12	Switch 3 (Run / Stop)	1-2

3. Build

To build this application, open the *3ph_AC_VHz_CL.mcp* project file and execute the *Make* command, as shown in **Figure 3-1**. This will build and link the 3-phase AC V/Hz Motor Control application and all needed Metrowerks and Processor Expert libraries.

**Figure 3-1 Execute Make Command**

4. Execute

To execute the 3-phase AC V/Hz Motor Control application, choose the *Program/Debug* command in the CodeWarrior IDE, followed by the *Run* command.

To execute the 3-phase AC V/Hz Motor Control application's internal Flash version, choose the *Program/Debug* command in the CodeWarrior IDE. When loading is finished, in the **56F8346EVM**, set jumper **JG9** to disable the JTAG port and **JG3** to enable boot from internal Flash, then push the RESET button. In the **56F8357** or **56F8367 EVM**, set jumper **JG3** to disable the JTAG port and **JG4** to enable boot from internal Flash, then push the RESET button.

For more help with these commands, refer to the CodeWarrior tutorial documentation in the following file, located in the CodeWarrior installation directory:

<...>\CodeWarrior Manuals\PDF\Targeting_56800E.pdf

For jumper settings, see the **56F8346 Evaluation Module Hardware User's Manual**, **56F8357 Evaluation Module Hardware User's Manual** or **56F8367 Evaluation Module Hardware User's Manual**.

Once the application is running, move the RUN/STOP switch to the RUN position and set the required speed with the UP/DOWN push buttons. Pressing the UP/DOWN buttons should incrementally increase the motor speed until it reaches maximum speed. If successful, the 3-phase AC Induction motor will be spinning.

Note: If the RUN/STOP switch is set to the RUN position when the application starts, toggle the RUN/STOP switch between the STOP and RUN positions to enable motor spinning. This is a protection feature that prevents the motor from starting when the application is executed from CodeWarrior.

You should also see a lighted green LED, which indicates that the application is running. If the application stops, the green LED blinks at a frequency of 2Hz.

www.DataSheet4U.com

www.DataSheet4U.com

How to Reach Us:

Home Page:

www.freescale.com

E-mail:

support@freescale.com

USA/Europe or Locations Not Listed:

Freescale Semiconductor
Technical Information Center, CH370
1300 N. Alma School Road
Chandler, Arizona 85224
+1-800-521-6274 or +1-480-768-2130
support@freescale.com

Europe, Middle East, and Africa:

Freescale Halbleiter Deutschland GmbH
Technical Information Center
Schatzbogen 7
81829 Muenchen, Germany
+44 1296 380 456 (English)
+46 8 52200080 (English)
+49 89 92103 559 (German)
+33 1 69 35 48 48 (French)
support@freescale.com

Japan:

Freescale Semiconductor Japan Ltd.
Headquarters
ARCO Tower 15F
1-8-1, Shimo-Meguro, Meguro-ku,
Tokyo 153-0064, Japan
0120 191014 or +81 3 5437 9125
support.japan@freescale.com

Asia/Pacific:

Freescale Semiconductor Hong Kong Ltd.
Technical Information Center
2 Dai King Street
Tai Po Industrial Estate
Tai Po, N.T., Hong Kong
+800 2666 8080
support.asia@freescale.com

www.DataSheet4U.com

For Literature Requests Only:

Freescale Semiconductor Literature Distribution Center
P.O. Box 5405
Denver, Colorado 80217
1-800-441-2447 or 303-675-2140
Fax: 303-675-2150
LDCForFreescaleSemiconductor@hibbertgroup.com

Information in this document is provided solely to enable system and software implementers to use Freescale Semiconductor products. There are no express or implied copyright licenses granted hereunder to design or fabricate any integrated circuits or integrated circuits based on the information in this document.

Freescale Semiconductor reserves the right to make changes without further notice to any products herein. Freescale Semiconductor makes no warranty, representation or guarantee regarding the suitability of its products for any particular purpose, nor does Freescale Semiconductor assume any liability arising out of the application or use of any product or circuit, and specifically disclaims any and all liability, including without limitation consequential or incidental damages. "Typical" parameters that may be provided in Freescale Semiconductor data sheets and/or specifications can and do vary in different applications and actual performance may vary over time. All operating parameters, including "Typicals", must be validated for each customer application by customer's technical experts. Freescale Semiconductor does not convey any license under its patent rights nor the rights of others. Freescale Semiconductor products are not designed, intended, or authorized for use as components in systems intended for surgical implant into the body, or other applications intended to support or sustain life, or for any other application in which the failure of the Freescale Semiconductor product could create a situation where personal injury or death may occur. Should Buyer purchase or use Freescale Semiconductor products for any such unintended or unauthorized application, Buyer shall indemnify and hold Freescale Semiconductor and its officers, employees, subsidiaries, affiliates, and distributors harmless against all claims, costs, damages, and expenses, and reasonable attorney fees arising out of, directly or indirectly, any claim of personal injury or death associated with such unintended or unauthorized use, even if such claim alleges that Freescale Semiconductor was negligent regarding the design or manufacture of the part.



Freescale™ and the Freescale logo are trademarks of Freescale Semiconductor, Inc. All other product or service names are the property of their respective owners. This product incorporates SuperFlash® technology licensed from SST.

© Freescale Semiconductor, Inc. 2004, 2005. All rights reserved.

8300ACIMTD
Rev. 1
08/2005