

Structure	Silicon Monolithic Integrated Circuit
Product series	6ch Power Driver for CD-ROM,DVD-ROM
Type	BD7998EFS
Function	<ul style="list-style-type: none"> ▪ The spindle driver and the SLED driver can highly effective drive with PWM drive system. ▪ The actuator driver and the loading driver are liner BTL drive system and are achieving a low noise power.

○Absolute maximum ratings

Parameter	Symbol	Limits	Unit
POWER MOS power supply voltage	SPVM1,2 SLRNF1,2	15 #1	V
Preblock/BTL powerblock power supply voltage	$V_{cc}=SLV_{DD},AVM$	15	V
PWM control block power supply voltage	DVcc	7	V
Power dissipation	Pd	2.0 #2	W
Operating temperature range	Topr	-40~85	°C
Storage temperature	Tstg	-55~150	°C
Joint part temperature	Tjmax	150	°C

#1 POWER MOS output terminals (17~20, 30, 33, 35pin) is contained.

#2 PCB (70mm × 70mm × 1.6mm,occupied copper foil is less than 3%,glass epoxy standard board) mounting.
Reduce power by 16mW for each degree above 25°C.

○Recommended operating conditions (Ta=-40~+85°C)

[Set the power supply voltage taking allowable dissipation into considering]

Parameter	Symbol	MIN	TYP	MAX	Unit
Spindle driver powerblock Power supply voltage	SPVM	—	V_{cc} #3	—	V
Sled motor driver powerblock Power supply voltage	SLVM	—	V_{cc} #3	—	V
Preblock / Loading driver powerblock Power supply voltage	$SLV_{DD}=V_{cc}$	AVM	12	14	V
Actuator driver powerblock Power supply voltage	AVM	4.3	5.0	V_{cc}	V
PWM control block power supply voltage	DVcc	4.3	5.0	6.0	V
Spindle driver output current	Iosp	—	1.2	2.5 #4	A
Actuator/sled motor/loading motor driver output current	Ioo	—	0.5	0.8	A

#3 Set the same supply voltage to SPVM,SLVM and V_{cc} .

#4 The current is guaranteed 3.0A in case of the current is turned on/off in a duty-ratio of less than 1/10 with a maximum on-time of 5msec

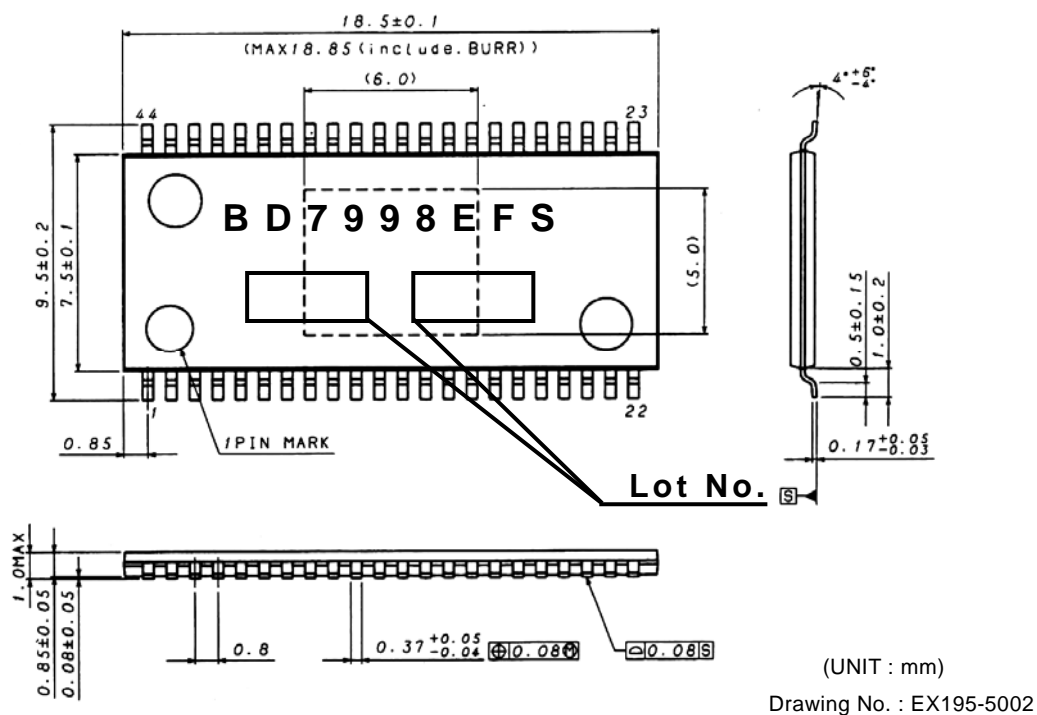
This product isn't designed for protection against radioactive rays.

○Electrical characteristics

(Unless otherwise noted, Ta=25°C, Vcc=SPVM=SLVM=12V, DVcc=AVM=5V, SPRNF=0.33Ω, SLRNF=0.5Ω, VC=1.65V, RL=8Ω, RLSP=2Ω)

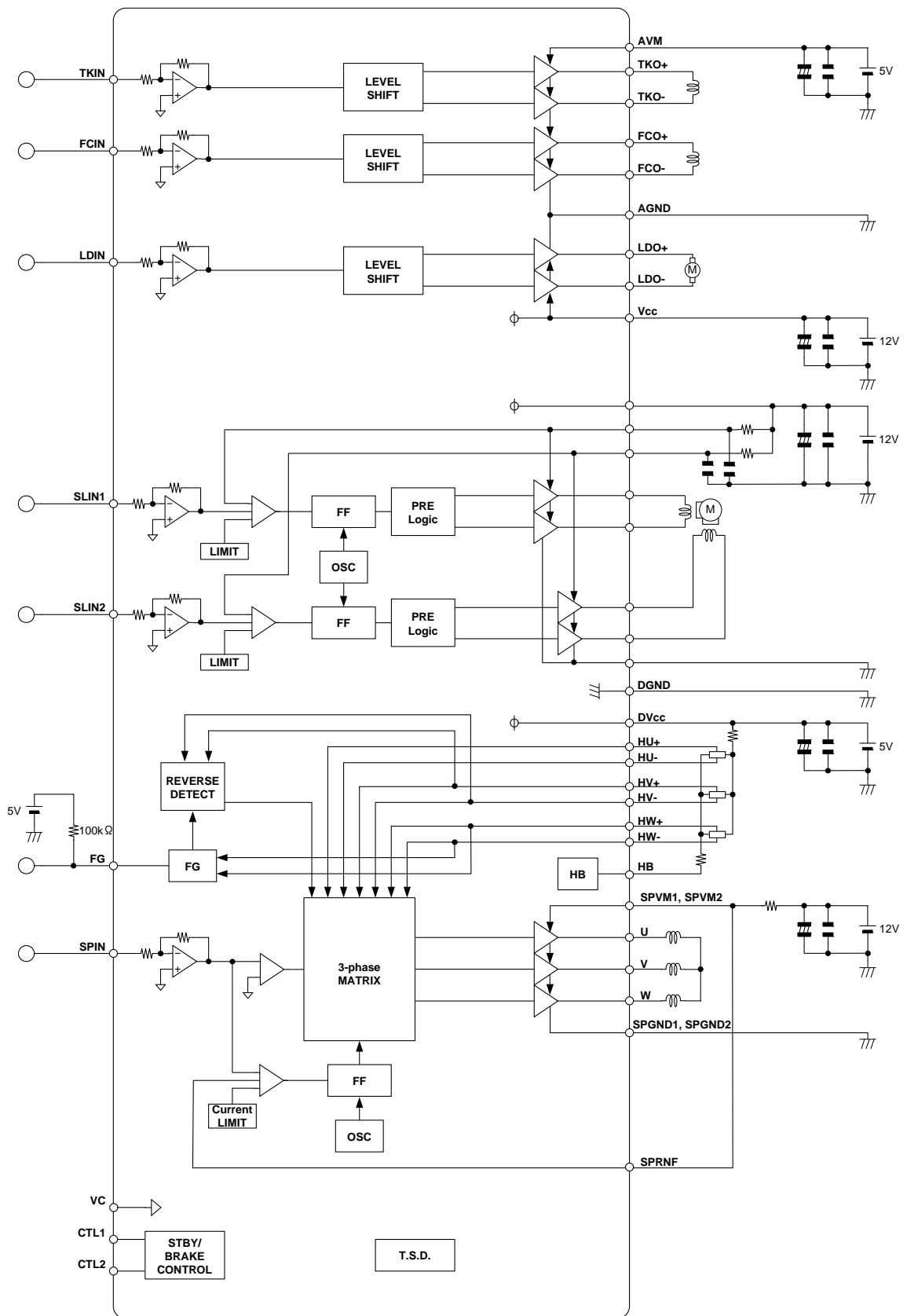
Parameter		Symbol	MIN.	TYP.	MAX.	Unit	Condition
Circuit current	Quiescent current1	IQ1	—	12	20	mA	Vcc (Loading OFF)
	Quiescent current2	IQ2	—	7	12	mA	Vcc (Loading ON)
	Quiescent current3	IQ3	—	2.2	4.4	mA	DVcc
	Standby-on current1	IST1	—	0.18	0.4	mA	Vcc
	Standby-on current2	IST2	—	0.18	0.4	mA	DVcc
Sled driver block	Input dead zone (one side)	VDZSL	15	40	65	mV	
	Input output gain	gmSL	0.8	1.0	1.2	A/V	SLRNF=0.5Ω
	Output On resistor (top and bottom)	RONSL	—	2.65	3.8	Ω	IL=500mA
	Output limit current	ILIMSL	0.91	1.05	1.19	A	SLRNF=0.5Ω
	PWM frequency	fosc	—	100	—	kHz	
Spindle driver block	Input dead zone (one side)	VDZSP	20	50	90	mV	
	Input output gain	gmSP	2.4	3.0	3.6	A/V	SPRNF=0.33Ω
	Output On resistor (top and bottom)	RONSP	—	0.9	1.7	Ω	IL=500mA
	Output limit current	ILIMSP	1.30	1.51	1.73	A	SPRNF=0.33Ω
	PWM frequency	fosc	—	100	—	kHz	
Actuator driver block	Output offset voltage	VOFFT	-50	0	50	mV	
	Output saturation voltage	VOFT	—	0.95	1.75	V	IL=500mA
	Voltage gain	GVFT	16.0	17.5	19.0	dB	
Loading driver block	Output offset voltage	VOFLD	-50	0	50	mV	
	Output saturation voltage	VOLD	—	2.45	3.5	V	IL=500mA
	Voltage gain	GVLD	16.0	17.5	19.0	dB	
Others	VC drop-muting	VMVC	0.4	0.7	1.0	V	
	Vcc drop-muting	VMVcc	3.4	3.8	4.2	V	

○ Package outlines



Drawing No. : EX195-5002

Block diagram / Application circuit



Notes

- No technical content pages of this document may be reproduced in any form or transmitted by any means without prior permission of ROHM CO.,LTD.
- The contents described herein are subject to change without notice. The specifications for the product described in this document are for reference only. Upon actual use, therefore, please request that specifications to be separately delivered.
- Application circuit diagrams and circuit constants contained herein are shown as examples of standard use and operation. Please pay careful attention to the peripheral conditions when designing circuits and deciding upon circuit constants in the set.
- Any data, including, but not limited to application circuit diagrams information, described herein are intended only as illustrations of such devices and not as the specifications for such devices. ROHM CO.,LTD. disclaims any warranty that any use of such devices shall be free from infringement of any third party's intellectual property rights or other proprietary rights, and further, assumes no liability of whatsoever nature in the event of any such infringement, or arising from or connected with or related to the use of such devices.
- Upon the sale of any such devices, other than for buyer's right to use such devices itself, resell or otherwise dispose of the same, no express or implied right or license to practice or commercially exploit any intellectual property rights or other proprietary rights owned or controlled by
- ROHM CO., LTD. is granted to any such buyer.
- Products listed in this document are no antiradiation design.

The products listed in this document are designed to be used with ordinary electronic equipment or devices (such as audio visual equipment, office-automation equipment, communications devices, electrical appliances and electronic toys).

Should you intend to use these products with equipment or devices which require an extremely high level of reliability and the malfunction of which would directly endanger human life (such as medical instruments, transportation equipment, aerospace machinery, nuclear-reactor controllers, fuel controllers and other safety devices), please be sure to consult with our sales representative in advance.

It is our top priority to supply products with the utmost quality and reliability. However, there is always a chance of failure due to unexpected factors. Therefore, please take into account the derating characteristics and allow for sufficient safety features, such as extra margin, anti-flammability, and fail-safe measures when designing in order to prevent possible accidents that may result in bodily harm or fire caused by component failure. ROHM cannot be held responsible for any damages arising from the use of the products under conditions out of the range of the specifications or due to non-compliance with the NOTES specified in this catalog.

Thank you for your accessing to ROHM product informations.

More detail product informations and catalogs are available, please contact your nearest sales office.

ROHM Customer Support System

THE AMERICAS / EUROPE / ASIA / JAPAN

www.rohm.com

Contact us : webmaster@rohm.co.jp