

Linear Vibrator Driver

CMOS LSI

LC898302AXA



WLCSP6, 0.78 x 1.18
CASE 567KP

Overview

LC898302AXA is a LRA (Linear Resonant Actuator) & ERM (Eccentric Rotating Mass) Driver IC dedicated to haptic feedback actuator and vibrator employed in mobile equipment. Due to the product superior technology, the drive frequency is automatically adjusted to the resonance frequency of the linear vibrator without the use of other external parts. As a result of this very effective drive, the vibration is as powerful as possible using very limited amount of energy compared to classical solutions

The drive and brake are fully configurable through the PWM-IF setting.

Finally, the original driving waveform allows you to reduce power consumption and it is useful to maintain battery lifetime.

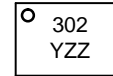
Features

- Automatic Adjustment to the Resonance Frequency for LRA
- Automatic Braking (EN Mode Only)
- Adjustable Drive Voltage Through PWM-IF Setting
- Adjustable Brake Voltage Through PWM-IF Setting
- EN/PWM-IF Driving Mode Available by Automatic Detection
- Low Standby Current
- Low Power Consumption Thanks to the Highly Effective Drive
- Low Driving Noise (EMI, Audible Band)
- Thermal Shutdown Protection
- Available to Drive a LRA or ERM
- VBAT Compliant
- This is a Pb-Free and Halogen Free Device

Applications

- Mobile Phone
- Portable Game
- Mobile Equipment with Haptics Function

MARKING DIAGRAM



302 = Specific Device Code
Y = Year
ZZ = Lot Code

ORDERING INFORMATION

Device	Package	Shipping†
LC898302AXA-MH	WLCSP6, 0.78 x 1.18 (Pb-Free / Halogen Free)	5000 / Tape & Reel

†For information on tape and reel specifications, including part orientation and tape sizes, please refer to our Tape and Reel Packaging Specification Brochure, BRD8011/D.

LC898302AXA

BLOCK DIAGRAM

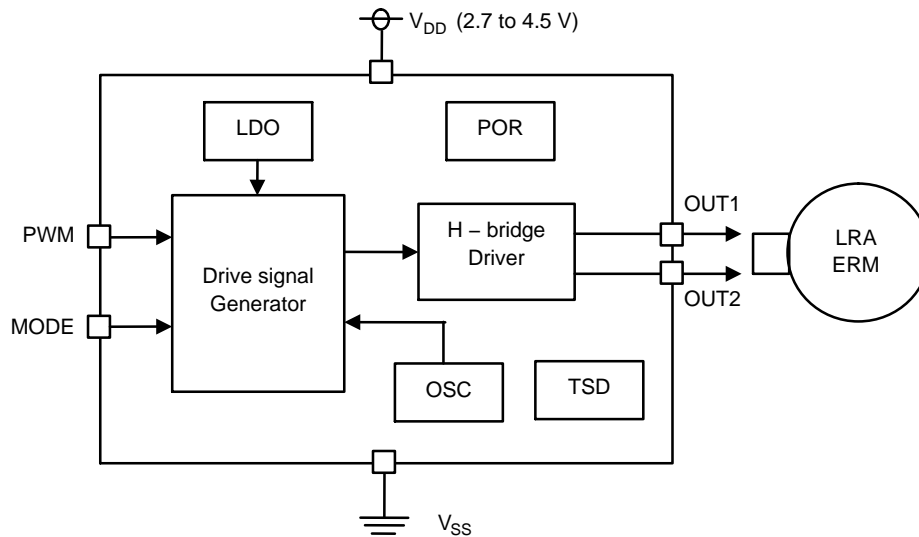


Figure 1. Block Diagram

ABSOLUTE MAXIMUM RATINGS ($V_{SS} = 0\text{ V}$)

Parameter	Symbol	Condition	Rating	Unit
Supply Voltage Range	$V_{DD\text{ max}}$		-0.3 to 6.0	V
Input Voltage	V_{I1}	(Note 1)	-0.3 to $V_{DD} + 0.3$	V
H-bridge Drive Current	$I_{O\text{ max}}$		200	mA
Allowable Power Dissipation	$P_{d\text{ max}}$	$T_a = 85^\circ\text{C}$ (Note 2)	116	mW
Operating Temperature Range	T_a		-30 to 85	$^\circ\text{C}$
Storage Temperature Range	T_{stg}		-55 to 125	$^\circ\text{C}$

Stresses exceeding those listed in the Maximum Ratings table may damage the device. If any of these limits are exceeded, device functionality should not be assumed, damage may occur and reliability may be affected.

1. PWM, MODE pin
2. Glass epoxy (50 mm x 40 mm, $t = 0.9\text{ mm}$, FR-4)

RECOMMENDED OPERATING CONDITIONS ($T_a = -30\text{ to }85^\circ\text{C}$, $V_{CC} = 0\text{ V}$)

Parameter	Symbol	Condition	Min	Typ	Max	Unit
Supply Voltage Range	V_{DD}		2.7	-	4.5	V
Input Voltage Range	V_{IN1}	(Note 3)	0	-	V_{DD}	V

Functional operation above the stresses listed in the Recommended Operating Ranges is not implied. Extended exposure to stresses beyond the Recommended Operating Ranges limits may affect device reliability.

3. MODE, PWM pin

LC898302AXA

ELECTRIC CHARACTERISTICS

DC CHARACTERISTICS ($V_{SS} = 0\text{ V}$, $V_{DD} = 2.7\text{ to }4.5\text{ V}$, $T_a = -30\text{ to }85^\circ\text{C}$)

Parameter	Symbol	Condition	Min	Typ	Max	Unit	Applicable Pin
High Level Input Voltage	V_{IH}	CMOS	1.40	–	–	V	PWM
Low Level Input Voltage	V_{IL}		–	–	0.36	V	
High Level Input Voltage	V_{IH}	CMOS	$0.7 V_{DD}$	–	–	V	MODE
Low Level Input Voltage	V_{IL}		–	–	$0.3 V_{DD}$	V	
Input Leakage Current	I_{IL}	$V_I = V_{DD}, V_{SS}$	–10	–	+10	μA	PWM, MODE

AC INPUT CHARACTERISTICS ($V_{SS} = 0\text{ V}$, $V_{DD} = 2.7\text{ to }4.5\text{ V}$, $T_a = -30\text{ to }85^\circ\text{C}$)

Parameter	Symbol	Condition	Min	Typ	Max	Unit
Input PWM Frequency	f_{frq}	1% < PWM Duty < 99% (Note 4)	10.0	–	50.0	kHz

4. PWM carrier frequency must be set to 128 times of resonant frequency in case of LRA mode.

STANDBY CURRENT ($V_{SS} = 0\text{ V}$, $V_{DD} = 3.7\text{ V}$, $T_a = 25^\circ\text{C}$)

Parameter	Symbol	Condition	Min	Typ	Max	Unit
Stand-by Current	P_{stb}	PWM = "0"	–	1.0	3.0	μA
Idle Current	P_{idle}	PWM = Duty 50%	–	2.5	–	mA

ANALOG CHARACTERISTICS ($V_{SS} = 0\text{ V}$, $V_{DD} = 3.7\text{ V}$, $T_a = 25^\circ\text{C}$)

Parameter	Symbol	Condition	Min	Typ	Max	Unit
Output Voltage Difference OUT1 and OUT2	V_{OUT12}	MODE = "0" Input PWM Duty = 99%	–	2.8	–	V _{pp}
		MODE = "1" Input PWM Duty = 99%	–	2.9	–	V _{pp}
H-Bridge ON Resistance Pch	R_{onp}	$I_F = 100\text{ mA}$	–	2.5	–	Ω
H-Bridge ON Resistance Nch	R_{onn}	$I_S = 100\text{ mA}$	–	1.0	–	Ω
Adjustable Resonance Frequency Range	F_{mo}	vs Input value	–10	–	+10	%

Product parametric performance is indicated in the Electrical Characteristics for the listed test conditions, unless otherwise noted. Product performance may not be indicated by the Electrical Characteristics if operated under different conditions.

LC898302AXA

PIN ASSIGNMENT

PIN LIST

No	Name	I/O	No	Name	I/O
1A	OUT1	O	1B	VDD	P
2A	OUT2	O	2B	MODE	I
3A	GND	P	3B	PWM	I

NOTE: I/O → I: input, O: output, B: bi-direction, P: power supply, NC: not connected

Pin Layout (PKG: WLCSP6, 0.4 mm pitch)

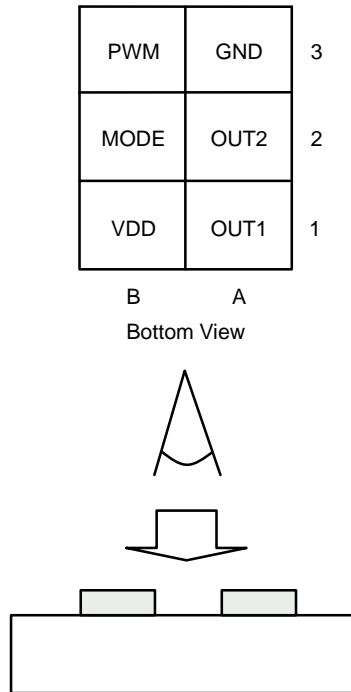


Figure 2. Pin Layout

PIN DESCRIPTION

Signal Name	I/O	Function	Remarks
OUT1	O	Motor drive pin	H-bridge output
OUT2	O	Motor drive pin	H-bridge output
MODE	I	Motor select pin	L: LRA, H: ERM
PWM	I	Driving control pin	EN control or PWM control input
VDD	P	Power supply pin	
VSS	P	GND pin	

NOTE: I/O → I: input, O: output, B: bi-direction, P: power supply, NC: not connected

LC898302AXA

AC CHARACTERISTICS

AC CHARACTERISTICS (V_{DD}) ($V_{SS} = 0\text{ V}$, $V_{DD} = 2.7\text{ to }4.5\text{ V}$, $T_a = -30\text{ to }85^\circ\text{C}$)

Parameter	Symbol	Min	Typ	Max	Unit
V_{DD} Rising Time	T_{VDDUP}	–	–	100	kHz

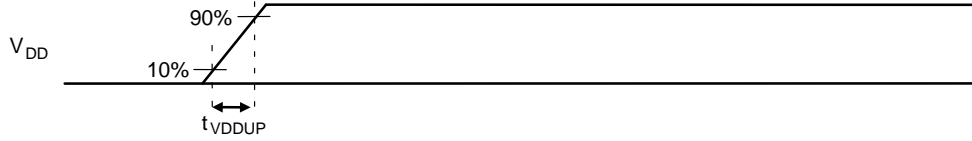


Figure 3.

AC CHARACTERISTICS (POWER ON RESET) ($V_{SS} = 0\text{ V}$, $V_{DD} = 2.7\text{ to }4.5\text{ V}$, $T_a = -30^\circ\text{C to }+85^\circ\text{C}$)

Parameter	Symbol	Min	Typ	Max	Unit
Start Up Time	t_{stup}	–	0.55	–	μs

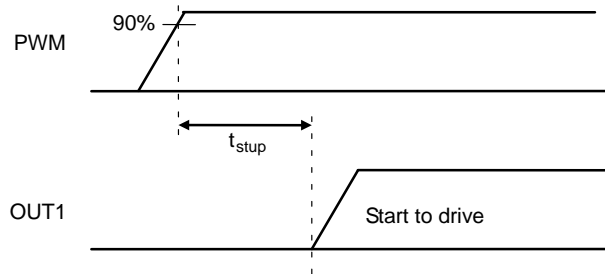


Figure 4.

LC898302AXA

APPLICATION INFORMATION

LRA Mode

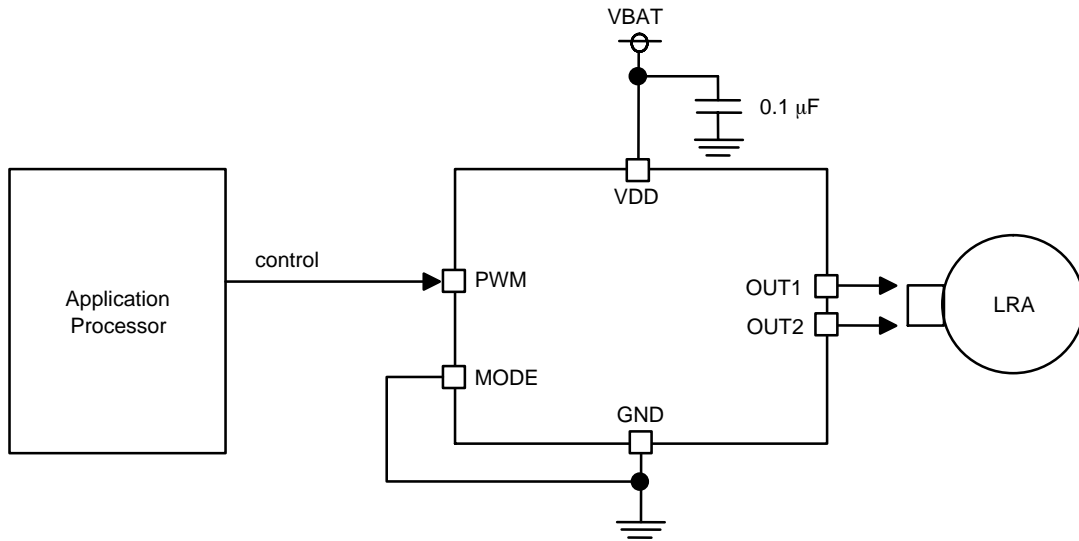


Figure 5.

ERM Mode

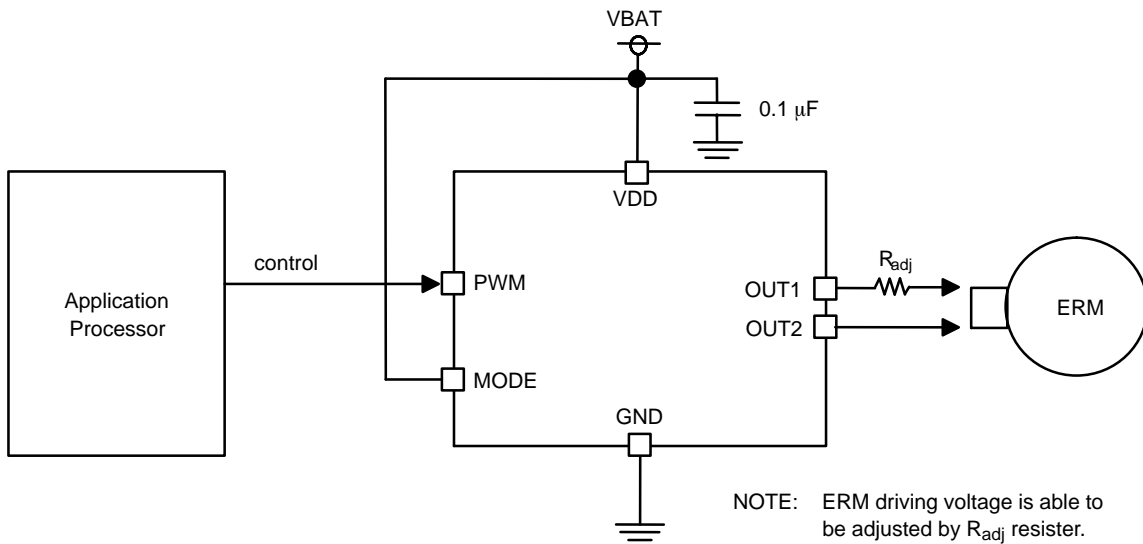


Figure 6.

MECHANICAL CASE OUTLINE

PACKAGE DIMENSIONS

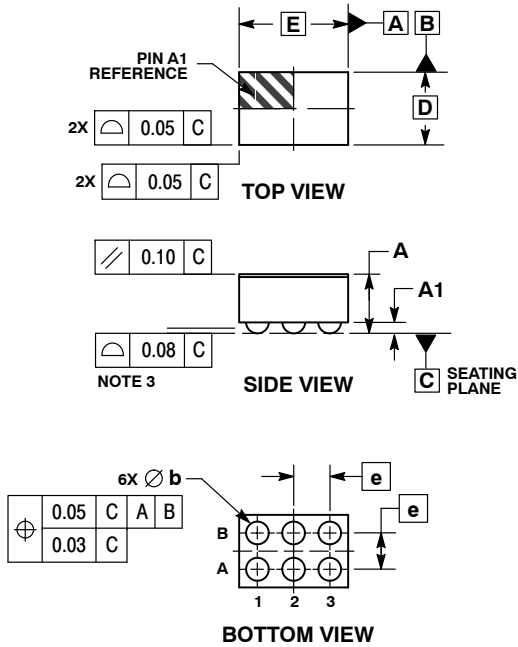
ON Semiconductor®



SCALE 4:1

WLCSP6, 0.78x1.18
CASE 567KP
ISSUE O

DATE 24 SEP 2014

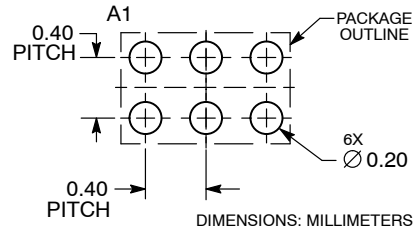


NOTES:

1. DIMENSIONING AND TOLERANCING PER ASME Y14.5M, 1994.
2. CONTROLLING DIMENSION: MILLIMETERS.
3. COPLANARITY APPLIES TO SPHERICAL CROWNS OF SOLDER BALLS.

DIM	MILLIMETERS	
	MIN	MAX
A	---	0.65
A1	0.07	0.17
b	0.15	0.25
D	0.78 BSC	
E	1.18 BSC	
e	0.40 BSC	

RECOMMENDED SOLDERING FOOTPRINT*



*For additional information on our Pb-Free strategy and soldering details, please download the ON Semiconductor Soldering and Mounting Techniques Reference Manual, SOLDERRM/D.

DOCUMENT NUMBER:	98AON91308F	Electronic versions are uncontrolled except when accessed directly from the Document Repository. Printed versions are uncontrolled except when stamped "CONTROLLED COPY" in red.
DESCRIPTION:	WLCSP6, 0.78X1.18	PAGE 1 OF 1

ON Semiconductor and are trademarks of Semiconductor Components Industries, LLC dba ON Semiconductor or its subsidiaries in the United States and/or other countries. ON Semiconductor reserves the right to make changes without further notice to any products herein. ON Semiconductor makes no warranty, representation or guarantee regarding the suitability of its products for any particular purpose, nor does ON Semiconductor assume any liability arising out of the application or use of any product or circuit, and specifically disclaims any and all liability, including without limitation special, consequential or incidental damages. ON Semiconductor does not convey any license under its patent rights nor the rights of others.

onsemi, **Onsemi**, and other names, marks, and brands are registered and/or common law trademarks of Semiconductor Components Industries, LLC dba "**onsemi**" or its affiliates and/or subsidiaries in the United States and/or other countries. **onsemi** owns the rights to a number of patents, trademarks, copyrights, trade secrets, and other intellectual property. A listing of **onsemi**'s product/patent coverage may be accessed at www.onsemi.com/site/pdf/Patent-Marking.pdf. **onsemi** reserves the right to make changes at any time to any products or information herein, without notice. The information herein is provided "as-is" and **onsemi** makes no warranty, representation or guarantee regarding the accuracy of the information, product features, availability, functionality, or suitability of its products for any particular purpose, nor does **onsemi** assume any liability arising out of the application or use of any product or circuit, and specifically disclaims any and all liability, including without limitation special, consequential or incidental damages. Buyer is responsible for its products and applications using **onsemi** products, including compliance with all laws, regulations and safety requirements or standards, regardless of any support or applications information provided by **onsemi**. "Typical" parameters which may be provided in **onsemi** data sheets and/or specifications can and do vary in different applications and actual performance may vary over time. All operating parameters, including "Typicals" must be validated for each customer application by customer's technical experts. **onsemi** does not convey any license under any of its intellectual property rights nor the rights of others. **onsemi** products are not designed, intended, or authorized for use as a critical component in life support systems or any FDA Class 3 medical devices or medical devices with a same or similar classification in a foreign jurisdiction or any devices intended for implantation in the human body. Should Buyer purchase or use **onsemi** products for any such unintended or unauthorized application, Buyer shall indemnify and hold **onsemi** and its officers, employees, subsidiaries, affiliates, and distributors harmless against all claims, costs, damages, and expenses, and reasonable attorney fees arising out of, directly or indirectly, any claim of personal injury or death associated with such unintended or unauthorized use, even if such claim alleges that **onsemi** was negligent regarding the design or manufacture of the part. **onsemi** is an Equal Opportunity/Affirmative Action Employer. This literature is subject to all applicable copyright laws and is not for resale in any manner.

PUBLICATION ORDERING INFORMATION

LITERATURE FULFILLMENT:

Email Requests to: orderlit@onsemi.com

onsemi Website: www.onsemi.com

TECHNICAL SUPPORT

North American Technical Support:

Voice Mail: 1 800-282-9855 Toll Free USA/Canada

Phone: 011 421 33 790 2910

Europe, Middle East and Africa Technical Support:

Phone: 00421 33 790 2910

For additional information, please contact your local Sales Representative