

General Purpose NPN Epitaxial Planar Transistor

BTD1768N3

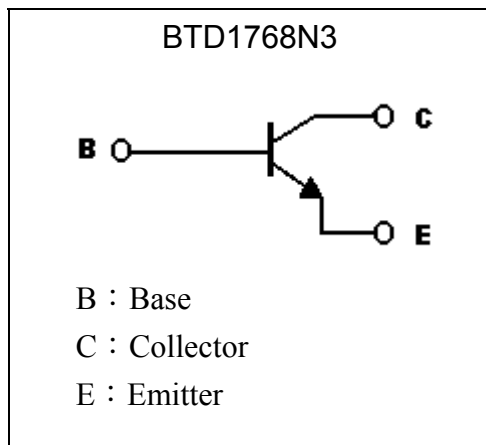
Description

The BTD1768N3 is designed for use in driver and output stages of AF amplifier and general purpose application.

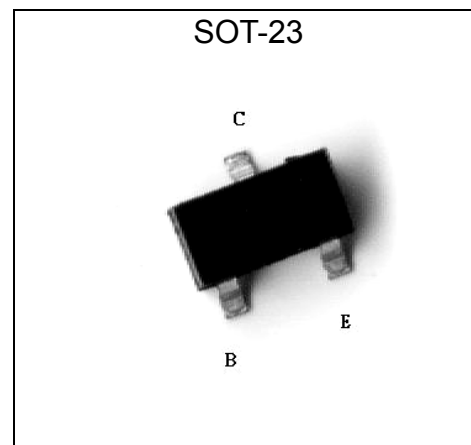
Features

- Low collector saturation voltage
- High breakdown voltage, $V_{CE0}=80V$ (min.)
- High collector current, $I_{C(max)}=1A$ (DC)
- Pb-free lead plating and halogen-free package

Symbol

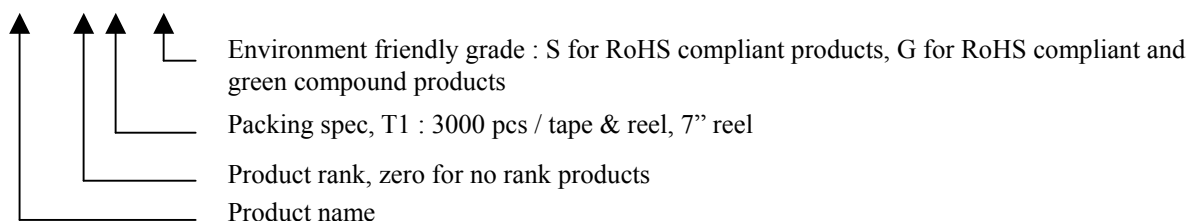


Outline



Ordering Information

Device	Package	Shipping
BTD1768N3-X-T1-G	SOT-23 (Pb-free lead plating and halogen-free package)	3000 pcs / tape & reel





Absolute Maximum Ratings (Ta=25°C)

Parameter	Symbol	Limits	Unit
Collector-Base Voltage	V _{CB0}	100	V
Collector-Emitter Voltage	V _{CEO}	80	V
Emitter-Base Voltage	V _{EBO}	5	V
Collector Current (DC)	I _C	1	A
Collector Current (Pulse)	I _{CP}	2 (Note)	A
Power Dissipation	P _D	225	mW
Thermal Resistance, Junction to Ambient	R _{θJA}	556	°C/W
Operating Junction and Storage Temperature Range	T _j ; T _{stg}	-55~+150	°C

Note : Pulse test, Pw ≤ 10ms, Duty ≤ 50%.

Characteristics (Ta=25°C)

Symbol	Min.	Typ.	Max.	Unit	Test Conditions
BV _{CB0}	100	-	-	V	I _C =50μA
BV _{CEO}	80	-	-	V	I _C =1mA
BV _{EBO}	5	-	-	V	I _E =50μA
I _{CB0}	-	-	1	μA	V _{CB} =80V, I _E =0
I _{EBO}	-	-	1	μA	V _{EB} =4V, I _C =0
*V _{CE(SAT)}	-	0.15	0.4	V	I _C =500mA, I _B =20mA
*h _{FE}	120	-	560	-	V _{CE} =3V, I _C =100mA
f _T	-	100	-	MHz	V _{CE} =10V, I _C =50mA, f=100MHz
Cob	-	20	-	pF	V _{CB} =10V, I _E =0A, f=1MHz

*Pulse Test: Pulse Width ≤ 380μs, Duty Cycle ≤ 2%

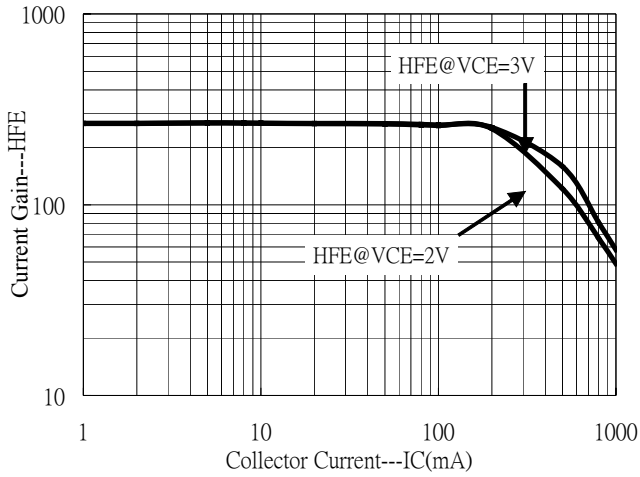
Classification Of hFE

Rank	Q	R	S
Range	120~270	180~390	270~560

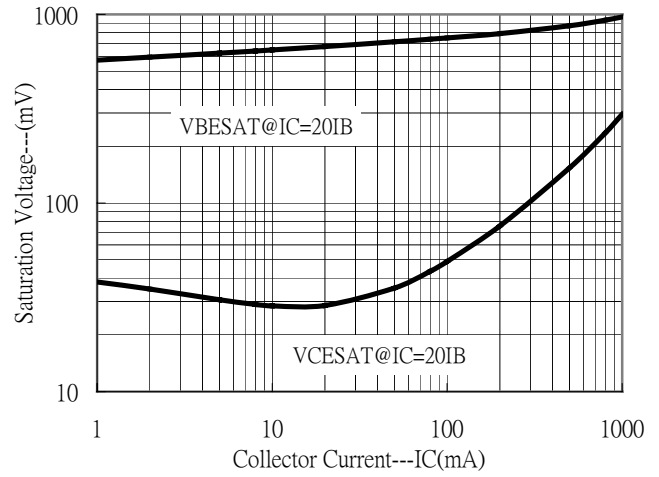


Typical Characteristics

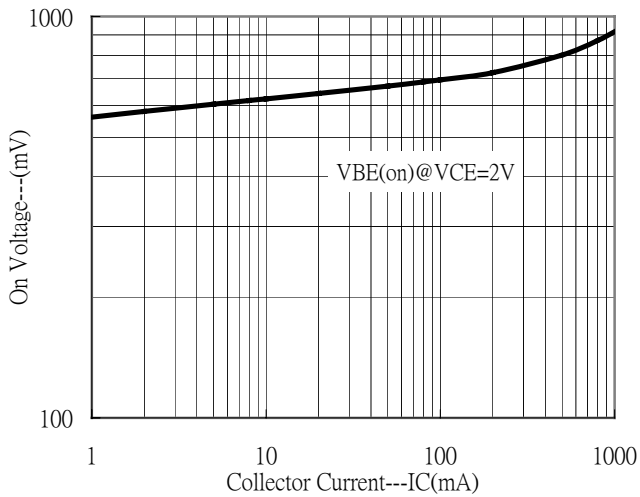
Current Gain vs Collector Current



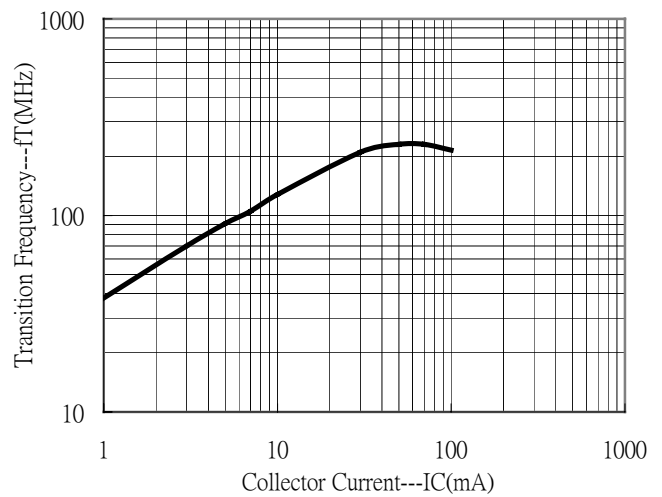
Saturation Voltage vs Collector Current



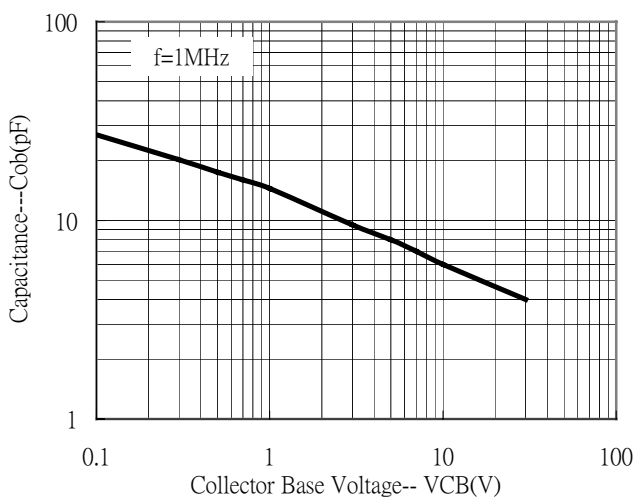
On Voltage vs Collector Current



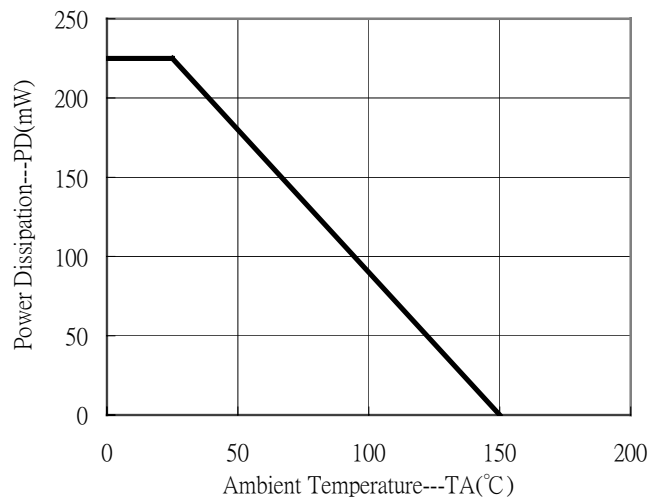
Transition Frequency vs Collector Current



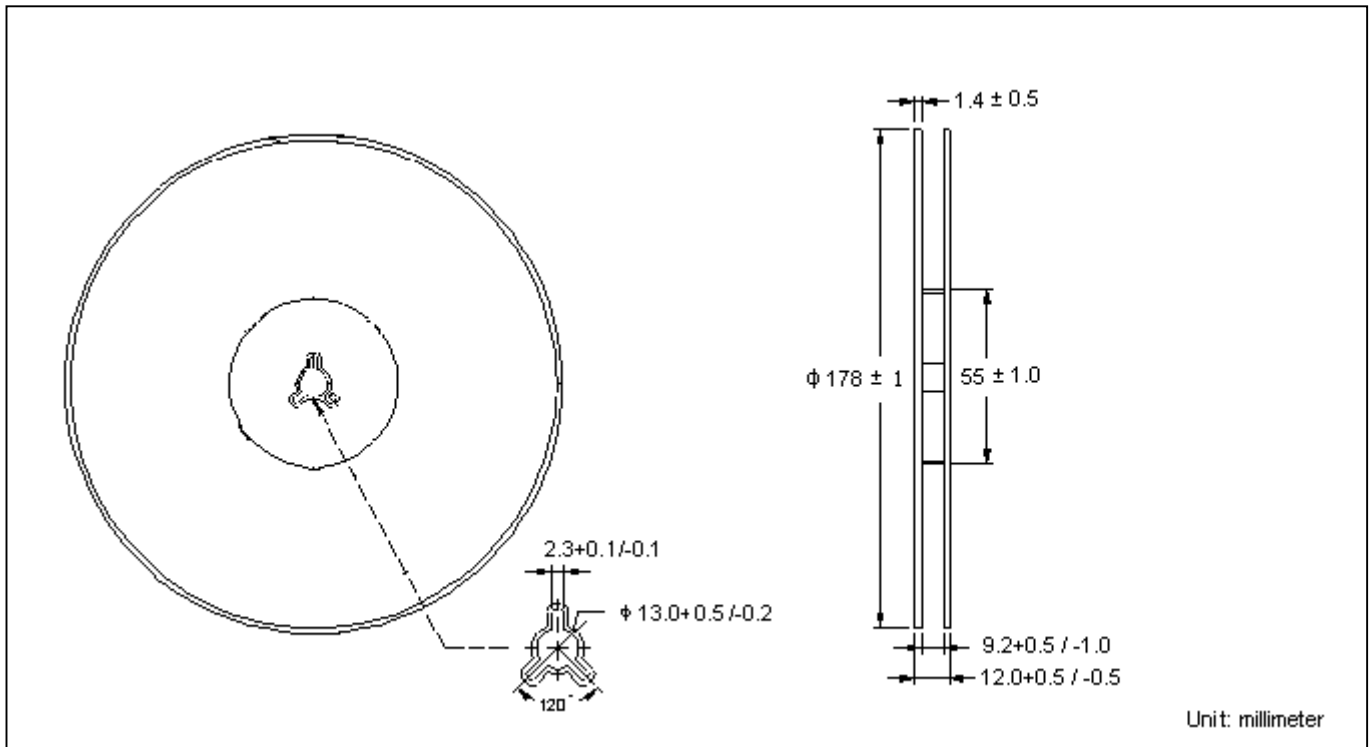
Capacitance Characteristics



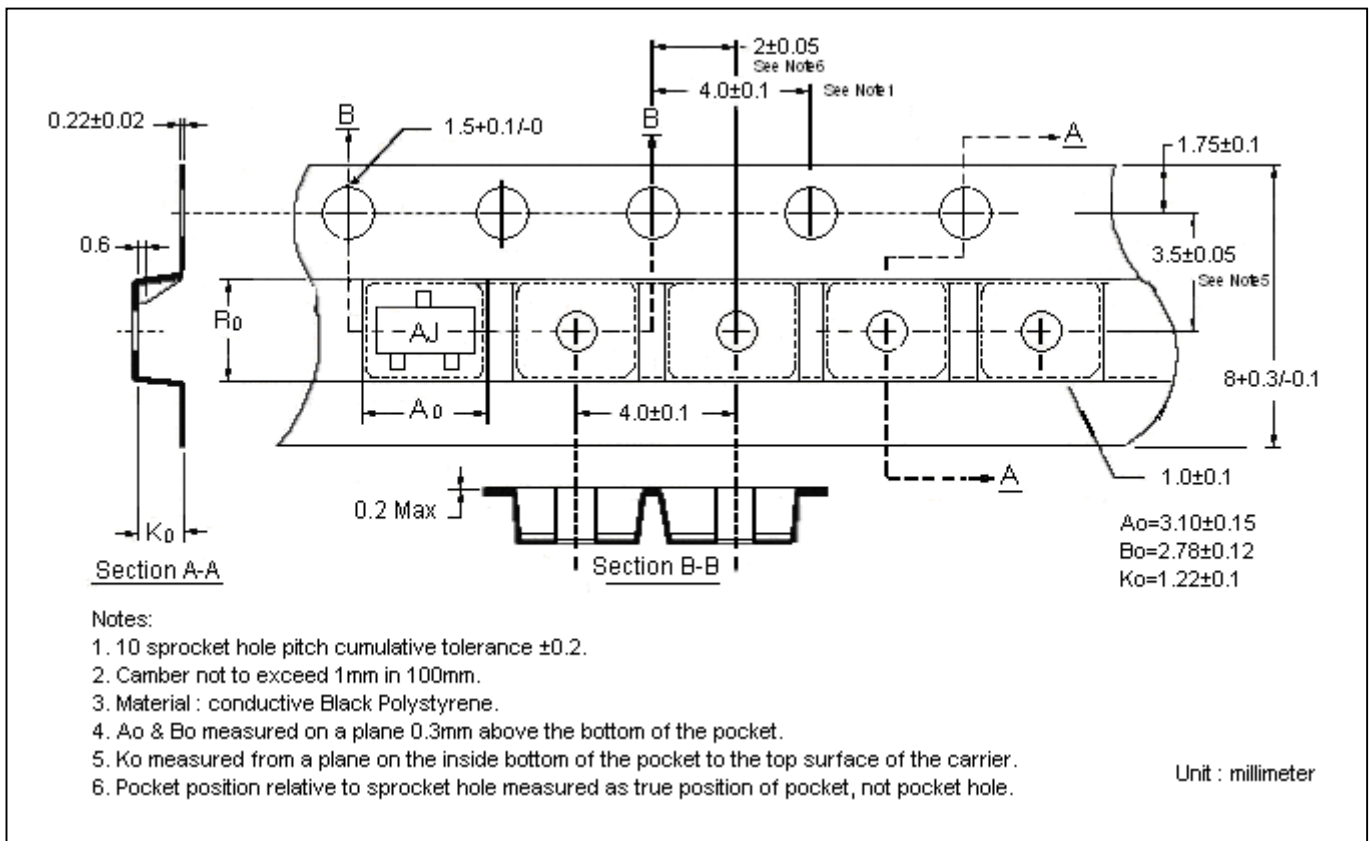
Power Derating Curve



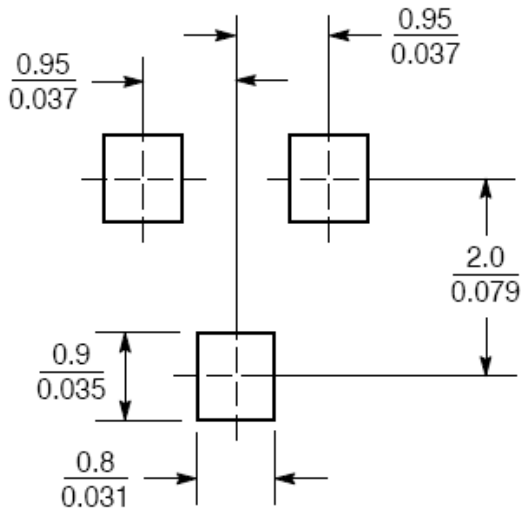
Reel Dimension



Carrier Tape Dimension



Recommended Soldering Footprint

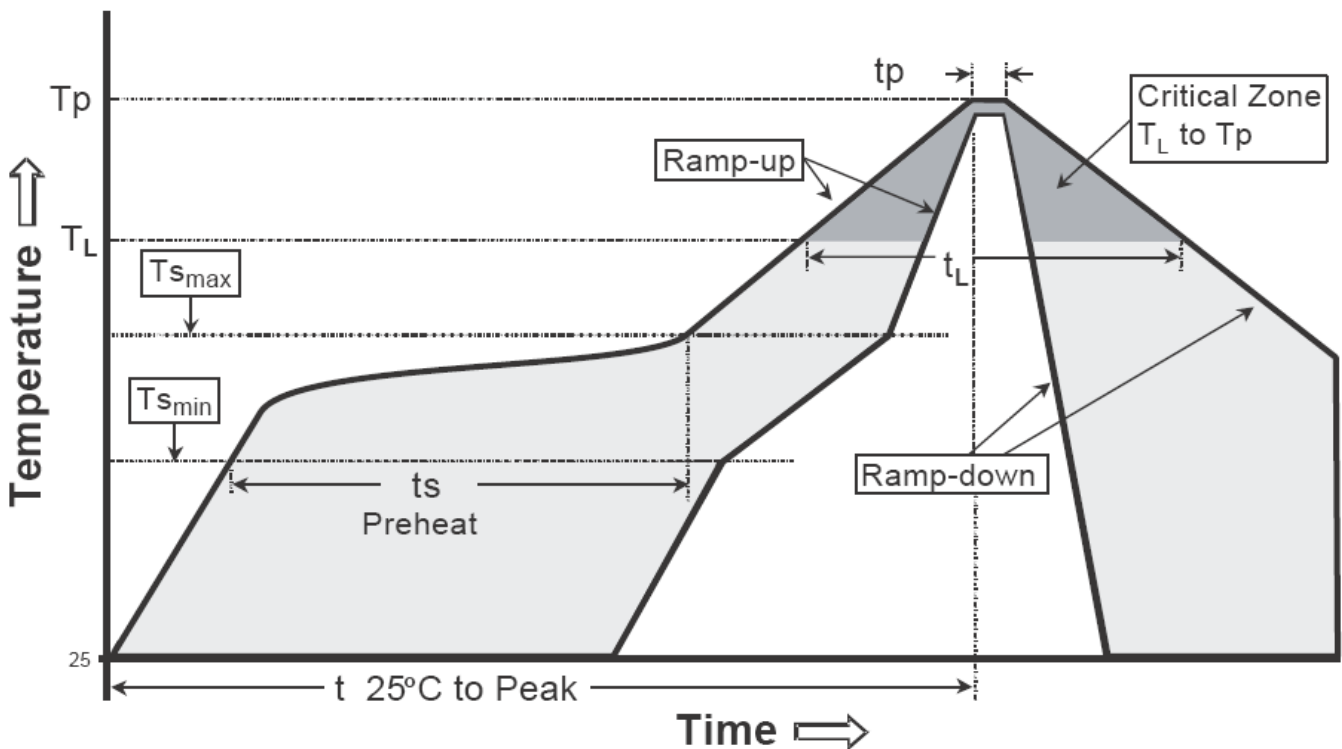


Unit : $\frac{\text{mm}}{\text{inches}}$

Recommended wave soldering condition

Product	Peak Temperature	Soldering Time
Pb-free devices	260 +0/-5 °C	5 +1/-1 seconds

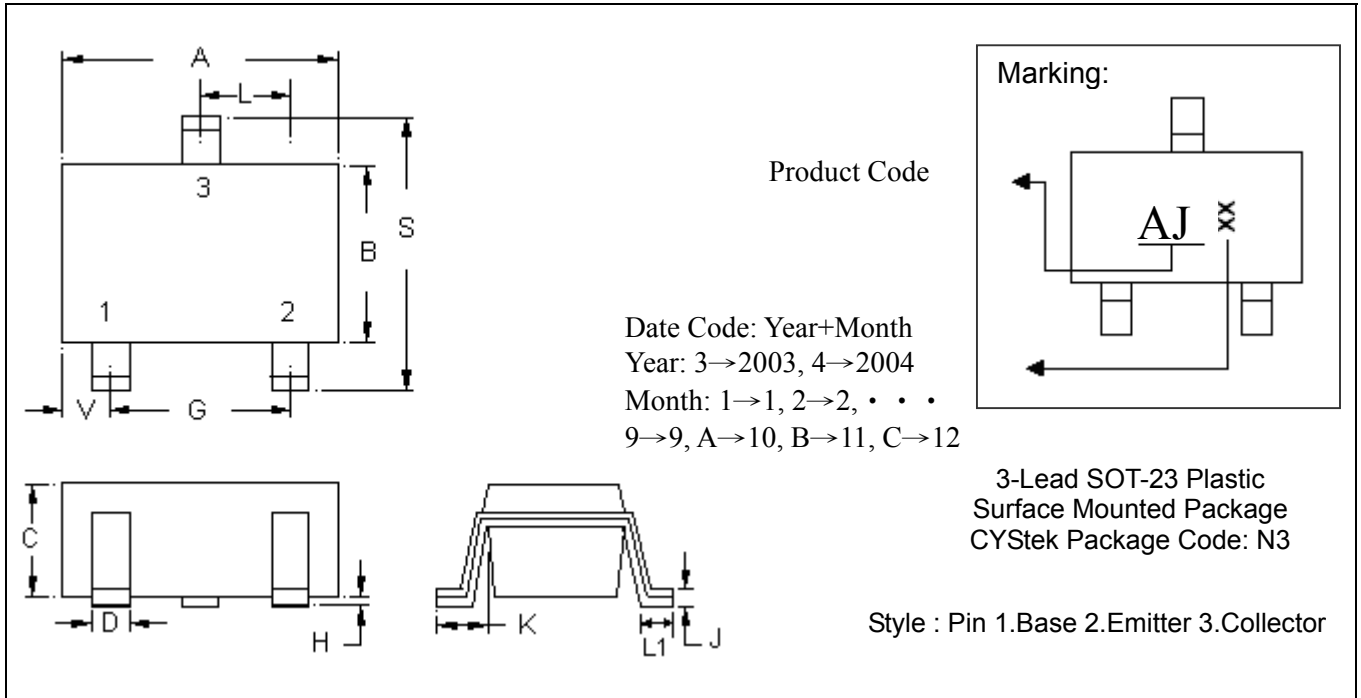
Recommended temperature profile for IR reflow



Profile feature	Sn-Pb eutectic Assembly	Pb-free Assembly
Average ramp-up rate (Ts_max to Tp)	3°C/second max.	3°C/second max.
Preheat		
-Temperature Min(Ts_min)	100°C	150°C
-Temperature Max(Ts_max)	150°C	200°C
-Time(ts_min to ts_max)	60-120 seconds	60-180 seconds
Time maintained above:		
-Temperature (T_L)	183°C	217°C
- Time (t_L)	60-150 seconds	60-150 seconds
Peak Temperature(T_P)	240 +0/-5 °C	260 +0/-5 °C
Time within 5°C of actual peak temperature(tp)	10-30 seconds	20-40 seconds
Ramp down rate	6°C/second max.	6°C/second max.
Time 25 °C to peak temperature	6 minutes max.	8 minutes max.

Note : All temperatures refer to topside of the package, measured on the package body surface.

SOT-23 Dimension



*:Typical

DIM	Inches		Millimeters		DIM	Inches		Millimeters	
	Min.	Max.	Min.	Max.		Min.	Max.	Min.	Max.
A	0.1102	0.1204	2.80	3.04	J	0.0032	0.0079	0.08	0.20
B	0.0472	0.0669	1.20	1.70	K	0.0118	0.0266	0.30	0.67
C	0.0335	0.0512	0.89	1.30	L	0.0335	0.0453	0.85	1.15
D	0.0118	0.0197	0.30	0.50	S	0.0830	0.1161	2.10	2.95
G	0.0669	0.0910	1.70	2.30	V	0.0098	0.0256	0.25	0.65
H	0.0000	0.0040	0.00	0.10	L1	0.0118	0.0197	0.30	0.50

Notes : 1.Controlling dimension : millimeters.
 2.Maximum lead thickness includes lead finish thickness, and minimum lead thickness is the minimum thickness of base material.
 3.If there is any question with packing specification or packing method, please contact your local CYStek sales office.

Material :

- Lead : Pure tin plated..
- Mold Compound : Epoxy resin family, flammability solid burning class:UL94V-0.

Important Notice:

- All rights are reserved. Reproduction in whole or in part is prohibited without the prior written approval of CYStek.
- CYStek reserves the right to make changes to its products without notice.
- CYStek **semiconductor products are not warranted to be suitable for use in Life-Support Applications, or systems.**
- CYStek assumes no liability for any consequence of customer product design, infringement of patents, or application assistance.