

DRV3203-Q1 Three-Phase Brushless Motor Driver

Not Recommended for New Designs

1 Features

- 3-Phase Pre-Drivers for N-Channel MOS Field-Effect Transistors (MOSFETs)
- Pulse-Width Modulation (PWM) Frequency up to 20 kHz
- Fault Diagnostics
- Charge Pump
- Phase Comparators
- Microcontroller (MCU) Reset Generator
- Serial Port I/F (SPI)
- Motor-Current Sense
- 3.3-V Regulator
- Low-Current Sleep Mode
- Operation VB Range From 5.3 to 28.5 V
- AEC-Q100 Grade 1 -40°C to +125°C Ambient Operating Temperature
- 48-Pin PHP

2 Applications

- Oil Pump
- Fuel Pump
- Water Pump

3 Description

The DRV3203-Q1 device is a field-effect transistor (FET) pre-driver designed for three-phase motor control for applications such as an oil pump or a water pump. The device has three high-side pre-FET drivers and three low-side drivers which are under the control of an external MCU. A charge pump supplies the power for the high side, and there is no requirement for a bootstrap capacitor. For commutation, this integrated circuit (IC) sends a conditional motor signal and output to the MCU. Diagnostics provide undervoltage, overvoltage, overcurrent, overtemperature and power-bridge faults. One can measure the motor current using an integrated current-sense amplifier and comparator in a battery common-mode range, which allows the use of the motor current in a high-side current-sense application. External resistors set the gain. One can configure the pre-drivers and other internal settings through the SPI.

Device Information⁽¹⁾

PART NUMBER	PACKAGE	BODY SIZE (NOM)
DRV3203-Q1	HTQFP (48)	7.00 mm x 7.00 mm

(1) For all available packages, see the orderable addendum at the end of the datasheet.

Typical Application Schematic

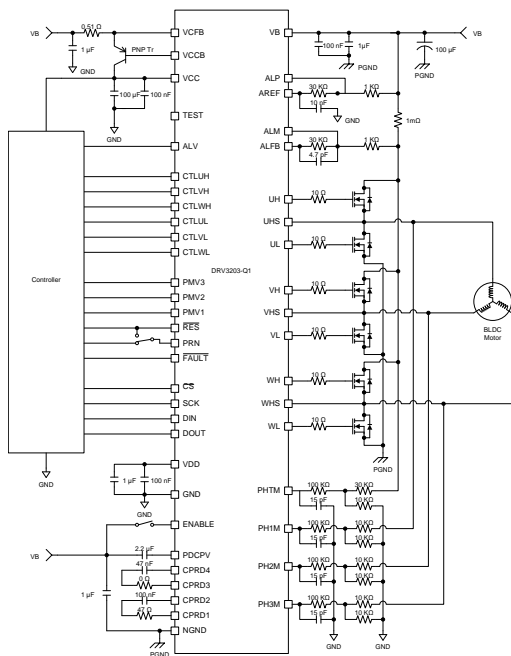


Table of Contents

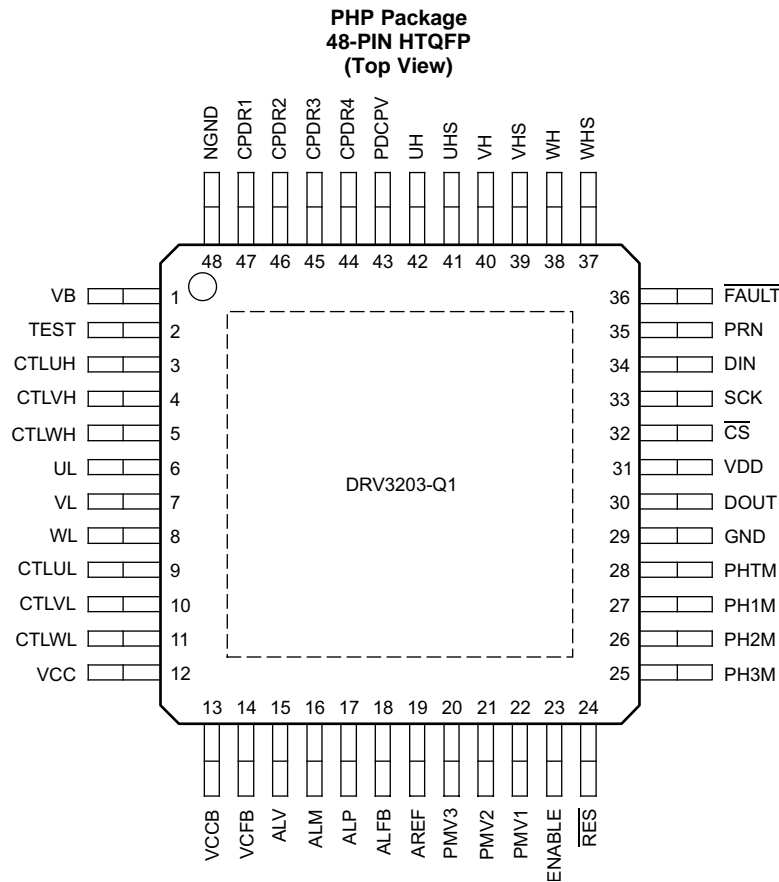
1 Features	1	7.1 Functional Block Diagram	14
2 Applications	1	7.2 Feature Description.....	14
3 Description	1	7.3 Register Maps	25
4 Revision History	2	8 Application and Implementation	32
5 Pin Configuration and Functions	3	8.1 Typical Application	32
6 Specifications	4	9 Device and Documentation Support	33
6.1 Absolute Maximum Ratings	4	9.1 Receiving Notification of Documentation Updates..	33
6.2 ESD Ratings.....	4	9.2 Community Resources.....	33
6.3 Thermal Information	5	9.3 Trademarks	33
6.4 Electrical Characteristics.....	5	9.4 Electrostatic Discharge Caution.....	33
6.5 Supply Voltage and Current.....	10	9.5 Glossary	33
7 Detailed Description	14	10 Mechanical, Packaging, and Orderable Information	33

4 Revision History

NOTE: Page numbers for previous revisions may differ from page numbers in the current version.

Changes from Revision A (June 2013) to Revision B	Page
• Added <i>Pin Configuration and Functions</i> section, <i>ESD Ratings</i> table, <i>Feature Description</i> section, <i>Application and Implementation</i> section, <i>Device and Documentation Support</i> section, and <i>Mechanical, Packaging, and Orderable Information</i> section	1
• Changed symbol for the Data delay time, SCK to DOUT parameter in the <i>SPI ELECTRICAL CHARACTERISTICS</i> table from t_v to t_d	5
• Changed the delay time, SCK to DOUT image reference from Figure 23 to Figure 2 in the <i>SPI ELECTRICAL CHARACTERISTICS</i> table	5

5 Pin Configuration and Functions



Pin Functions

PIN		TYPE	MAXIMUM RATING	FUNCTION
NAME	NO.			
ALFB	18	O	–0.3 V to 40 V	Motor current-sense amplifier feedback
ALM	16	I	–0.3 V to 40 V	Motor current- sense amplifier negative input
ALP	17	I	–0.3 V to 40 V	Motor current- sense amplifier positive input
ALV	15	O	–0.3 V to 6 V	Motor current- sense amplifier output
AREF	19	O	–0.3 V to 40 V	Reference output of motor current- sense amplifier
CPDR1	47	O	–0.3 V to 40 V	Charge-pump output
CPDR2	46	O	–0.3 V to 40 V	Charge- pump output
CPDR3	45	O	–0.3 V to 40 V	Charge- pump output
CPDR4	44	O	–0.3 V to 40 V	Charge- pump output
$\overline{\text{CS}}$	32	I	–0.3 V to 3.6 V	SPI chip select
CTLUH	3	I	–0.3 V to 3.6 V	Pre-driver parallel input
CTLUL	9	I	–0.3 V to 3.6 V	Pre-driver parallel input
CTLVH	4	I	–0.3 V to 3.6 V	Pre-driver parallel input
CTLVL	10	I	–0.3 V to 3.6 V	Pre-driver parallel input
CTLWH	5	I	–0.3 V to 3.6 V	Pre-driver parallel input
CTLWL	11	I	–0.3 V to 3.6 V	Pre-driver parallel input
DIN	34	I	–0.3 V to 3.6 V	SPI data input
DOUT	30	O	–0.3 V to 3.6 V	SPI data output

DRV3203-Q1

SLVSC09B –MAY 2013–REVISED JULY 2016

www.ti.com

Pin Functions (continued)

PIN		TYPE	MAXIMUM RATING	FUNCTION
NAME	NO.			
ENABLE	23	I	–0.3 V to 40 V	Enable input
$\overline{\text{FAULT}}$	36	O	–0.3 V to 3.6 V	Diagnosis output
GND	29	I	–0.3 V to 0.3 V	GND
NGND	48	I	–0.3 V to 0.3 V	Power GND
PDCPV	43	O	–0.3 V to 40 V	Charge pump output
PH1M	27	I	–1 V to 40 V	Phase comparator input
PH2M	26	I	–1 V to 40 V	Phase comparator input
PH3M	25	I	–1 V to 40 V	Phase comparator input
PHTM	28	I	–1 V to 40 V	Phase comparator reference input
PMV1	22	O	–0.3 V to 3.6 V	Phase comparator output
PMV2	21	O	–0.3 V to 3.6 V	Phase comparator output
PMV3	20	O	–0.3 V to 3.6 V	Phase comparator output
PRN	35	I	–0.3 V to 3.6 V	Watchdog timer-pulse input
$\overline{\text{RES}}$	24	O	–0.3 V to 3.6 V	MCU reset output
SCK	33	I	–0.3 V to 3.6 V	SPI clock
TEST	2	I	–0.3 V to 20 V	TEST input
UH	42	O	–5 V to 40 V	Pre-driver output
UHS	41	O	–5 V to 40 V	Pre-driver reference
UL	6	O	–0.3 V to 20 V	Pre-driver output
VB	1	I	–0.3 V to 40 V	VB input
VCC	12	I	–0.3 V to 3.6 V	VCC supply input
VCCB	13	O	–0.3 V to 40 V	VCC regulator base driver of PNP external transistor
VCFB	14	I	–0.3 V to 40 V	VCC regulator current-sense input
VDD	31	O	–0.3 V to 3.6 V	VDD supply output
VH	40	O	–5 V to 40 V	Pre-driver output
VHS	39	O	–5 V to 40 V	Pre-driver reference
VL	7	O	–0.3 V to 20 V	Pre-driver output
WH	38	O	–5 V to 40 V	Pre-driver output
WHS	37	O	–5 V to 40 V	Pre-driver reference
WL	8	O	–0.3 V to 20 V	Pre-driver output

6 Specifications**6.1 Absolute Maximum Ratings**

over operating free-air temperature range (unless otherwise noted)

		MIN	MAX	UNIT
T_A	Operating temperature range	–40	125	°C
T_J	Junction temperature	–40	150	°C
T_{stg}	Storage temperature	–55	175	°C

6.2 ESD Ratings

		VALUE	UNIT
$V_{(ESD)}$	Electrostatic discharge	Human-body model (HBM), per AEC Q100-002 ⁽¹⁾	±2000
		Charged-device model (CDM), per AEC Q100-011	±500

(1) AEC Q100-002 indicates that HBM stressing shall be in accordance with the ANSI/ESDA/JEDEC JS-001 specification.

6.3 Thermal Information

THERMAL METRIC		DRV3203-Q1	UNIT
		PHP (HTQFP)	
		48 PINS	
θ_{JA}	Junction-to-ambient thermal resistance	26.1	°C/W
θ_{JCTop}	Junction-to-case (top) thermal resistance	11.5	°C/W
θ_{JB}	Junction-to-board thermal resistance	7.2	°C/W
ψ_{JT}	Junction-to-top characterization parameter	0.2	°C/W
ψ_{JB}	Junction-to-board characterization parameter	7.1	°C/W
θ_{JCbott}	Junction-to-case (bottom) thermal resistance	0.4	°C/W

6.4 Electrical Characteristics

 $V_B = 12\text{ V}$, $T_A = -40^\circ\text{C}$ to $+125^\circ\text{C}$ (unless otherwise specified)

PARAMETER		TEST CONDITIONS	MIN	TYP	MAX	UNIT
WATCHDOG						
VSTN ⁽¹⁾	Function start VCC voltage \overline{RES}	See Figure 1	-	0.8	1.3	V
t _{ON} ⁽¹⁾	Power-on time \overline{RES}		2.5	3	3.5	ms
t _{OFF} ⁽¹⁾	Clock-off reset time \overline{RES}		64	80	96	ms
t _{RL} ⁽¹⁾	Reset-pulse low time \overline{RES}		16	20	24	ms
t _{RH} ⁽¹⁾	Reset-pulse high time \overline{RES}		64	80	96	ms
t _{RES} ⁽¹⁾	Reset delay time \overline{RES}		30	71.5	90	μs
P _{wth} ⁽¹⁾	Pulse duration PRN		2	-	-	μs
SPI						
f _{op}	SPI clock frequency			-	4	MHz
t _{lead} ⁽¹⁾	Enable lead time		200	-	-	ns
t _{wait} ⁽¹⁾	Wait time between two successive communications		5	-	-	μs
t _{lag} ⁽¹⁾	Enable lag time		100	-	-	ns
t _{pw} ⁽¹⁾	SCLK pulse duration		100	-	-	ns
t _{su} ⁽¹⁾	Data setup time		100	-	-	ns
t _h ⁽¹⁾	Data hold time		100	-	-	ns
t _{dis} ⁽¹⁾	Data-output disable time		-	-	200	ns
t _{en} ⁽¹⁾	Data-output enable time		-	-	100	ns
t _d ⁽¹⁾	Data delay time, SCK to DOUT	C _L = 50 pF, see Figure 2.	0	-	100	ns
CHARGE PUMP						
Vchv1_0	Output voltage, PDCPV	V _B = 5.3 V, load = 0 mA, C ₁ = C ₂ = 47 nF, CCP = 2.2 μF, R ₁ = R ₂ = 0 Ω	V _B + 7	V _B + 8	-	V
Vchv1_1	Output voltage, PDCPV	V _B = 5.3 V, load = 5 mA, C ₁ = C ₂ = 47 nF, CCP = 2.2 μF, R ₁ = R ₂ = 0 Ω	V _B + 5.5	V _B + 6.5	-	V
Vchv1_2	Output voltage, PDCPV	V _B = 5.3 V, load = 8 mA, C ₁ = C ₂ = 47 nF, CCP = 2.2 μF, R ₁ = R ₂ = 0 Ω	V _B + 4.5	V _B + 5.5	-	V

(1) Specified by design.

DRV3203-Q1

SLVSC09B –MAY 2013–REVISED JULY 2016

www.ti.com

Electrical Characteristics (continued)

VB = 12 V, TA = -40°C to +125°C (unless otherwise specified)

PARAMETER		TEST CONDITIONS	MIN	TYP	MAX	UNIT
Vchv2_0	Output voltage, PDCPV	VB = 12 V, load = 0 mA, C1 = C2 = 47 nF, CCP = 2.2 μF, R1 = R2 = 0 Ω	VB + 10	VB + 12	VB + 14	V
Vchv2_1	Output voltage, PDCPV	VB = 12 V, load = 11 mA, C1 = C2 = 47 nF, CCP = 2.2 μF, R1 = R2 = 0 Ω	VB + 9.5	VB + 11.5	VB + 13.5	V
Vchv2_2	Output voltage, PDCPV	VB = 12 V, load = 18 mA, C1 = C2 = 47 nF, CCP = 2.2 μF, R1 = R2 = 0 Ω	VB + 9	VB + 11	VB + 13	V
Vchv3_0	Output voltage, PDCPV	VB = 18 V, load = 0 mA, C1 = C2 = 47 nF, CCP = 2.2 μF, R1 = R2 = 0 Ω	VB + 10	VB + 12	VB + 14	V
Vchv3_1	Output voltage, PDCPV	VB = 18 V, load = 13 mA, C1 = C2 = 47 nF, CCP = 2.2 μF, R1 = R2 = 0 Ω	VB + 10	VB + 12	VB + 14	V
Vchv3_2	Output voltage, PDCPV	VB = 18 V, load = 22 mA, C1 = C2 = 47 nF, CCP = 2.2 μF, R1 = R2 = 0 Ω	VB + 10	VB + 12	VB + 14	V
VchvOV	Overvoltage detection threshold		35	37.5	40	V
VchvUV	Undervoltage detection threshold		VB + 4	VB + 4.5	VB + 5	V
t _{chv} ⁽¹⁾	Rise time	VB = 5.3 V, C1 = C2 = 47 nF, CCP = 2.2 μF, R1 = R2 = 0 Ω, Vchv, UV released		1	2	ms
Ron	On-resistance, S1-S4	See Figure 10		8		Ω

Electrical Characteristics (continued)

VB = 12 V, TA = –40°C to +125°C (unless otherwise specified)

PARAMETER		TEST CONDITIONS	MIN	TYP	MAX	UNIT
HIGH-SIDE PRE-DRIVER						
VOH_H	Output voltage, turnon side	Isink = 10 mA, PDCPV - xH		1.35	2.7	V
VOL_H	Output voltage, turnoff side	Isource = 10 mA, xH - xHS		25	50	mV
RONH_HP	On-resistance, turnon side (Pch)	U(V/W)H = PDCPV - 1 V		135	270	Ω
RONH_HN	On-resistance, turnon side (Nch)	U(V/W)H = PDCPV - 2.5 V		4	8	Ω
RONL_H	On-resistance turnoff side			2.5	5	Ω
t _{on_h1} ⁽¹⁾	Turnon time	CL = 12 nF, RL = 0 Ω from 20% to 80%	50	-	200	ns
t _{off_h1} ⁽¹⁾	Turnoff time	CL = 12 nF, RL = 0 Ω from 80% to 20%	50	-	200	ns
t _{h-ondly1} ⁽¹⁾	Output delay time	CL = 12 nF, RL = 0 Ω to 20%, no dead time	-	200	-	ns
t _{h-offdly1} ⁽¹⁾	Output delay time	CL = 12 nF, RL = 0 Ω to 80%, no dead time	-	200	-	ns
VGS_hs	Gate-source high -side voltage difference	xH-xHS	-0.3		18	V
LOW-SIDE PRE-DRIVER						
VOH_L1	Output voltage, turnon side	VB = 12 V, Isink = 10 mA, xL -NGND	10	12	14	V
VOH_L2	Output voltage, turnon side	VB = 5.3 V, Isink = 10 mA, xL - NGND	5.5	7.5	10	V
VOL_L	Output voltage, turnoff side	Isource = 10 mA, xL - NGND	-	25	50	mV
RONH_L	On-resistance, turnon side		-	6	12	Ω
RONL_L	On-resistance, turnoff side			2.5	5	Ω
t _{on_l} ⁽¹⁾	Turnon time	CL = 18 nF, RL = 0 Ω, from 20% to 80% of 12 V, from 20% to 80% of 6 V (VB = 5.3 V)	50	-	200	ns
t _{off_h} ⁽¹⁾	Turnoff time	CL = 18 nF, RL = 0 Ω, from 80% to 20% of 12 V, from 80% to 20% of 6 V (VB = 5.3 V)	50	-	200	ns
t _{i-ondly} ⁽¹⁾	Output delay time	CL = 18 nF, RL = 0 Ω, to 20% of 12 V, to 20% of V _{OH} = 6 V (VB = 5.3 V), no dead time	-	200	-	ns
t _{i-offdly} ⁽¹⁾	Output delay time	CL = 18 nF, RL = 0 Ω, to 80% of 12 V, to 80% of V _{OH} = 6 V (VB = 5.3 V), no dead time	-	200	-	ns
t _{diff1} ⁽¹⁾	Differential time1	(Th-on) - (Tl-off), no dead time, See Figure 3	-200	0	200	ns

DRV3203-Q1

SLVSC09B –MAY 2013–REVISED JULY 2016

www.ti.com

Electrical Characteristics (continued)

VB = 12 V, TA = -40°C to +125°C (unless otherwise specified)

PARAMETER	TEST CONDITIONS	MIN	TYP	MAX	UNIT	
t _{diff2} ⁽¹⁾	Differential time2 (TI-on) - (TI-off), no dead time, See Figure 3	-200	0	200	ns	
t _{dead} ⁽¹⁾	Dead time OSC1 = 10 MHz SPI register PDCFG.DEADT	2 1.5 1 0.5		2.2 1.7 1.2 0.7	µs	
PHASE COMPARTOR						
V _{IOfs}	Input offset voltage	-15	-	15	mV	
V _{Im1}	Input voltage range, PHTM	VB = 6 V – 28.5 V	1.3	-	4.5	V
V _{Im2}	Input voltage range, PHTM	VB = 5.3 V	1.3	-	4.2	V
V _{Ip}	Input voltage range, PHxM		-1	-	VB	V
V _{hys}	Threshold hysteresis voltage SPI register SPARE. SEL_COMP_HYS		-	0	-	mV
12.5	25	50				
25	50	100				
50	100	200				
V _{OH}	Output high voltage Isink = 2.5 mA	0.9 × VCC	-	-	V	
V _{OL}	Output low voltage Isource = 2.5 mA	-	-	0.1 × VCC	V	
t _{res_tr} ⁽¹⁾	Response time, rising CL = 100 pF	-	0.7	1.5	µs	
t _{res_tf} ⁽¹⁾	Response time, falling CL = 100 pF	-	0.7	1.5	µs	
MOTOR CURRENT SENSE						
V _{Ofs}	Input offset voltage	-5		5	mV	
VO_0	Output voltage, ALV Imotor = 0 A, SPI register CSCFG. CSOFFSET	-	0.5 1 1.5	-	V	
V _{Line}	Linearity, ALV Rshunt = 1 mΩ, R11 = R12 = 1 kΩ, R21 = R22 = 30 kΩ	29.4	30	30.6	mV/A	
V _{Gain}	Gain	10	30	-	V/V	
Tset_TR1 ⁽¹⁾	Settling time (rise), ALV ±1% Rshunt = 1 mΩ, V _{Gain} = 30, CL = 100 pF, Imotor = 0 A → 30 A, (ALV: 1 V → 1.9 V, AREF = 1 V)	-	1	2.5	µs	
Tset_TR2 ⁽¹⁾	Settling time(rise), ALV ±1% Rshunt = 1 mΩ, V _{Gain} = 30, CL = 100 pF, Imotor = 0 A → 100 A, (ALV: 1 V → 4 V, AREF = 1 V)	-	1	2.5	µs	
Tset_TF1 ⁽¹⁾	Settling time(fall), ALV ±1% Rshunt = 1 mΩ, V _{Gain} = 30, CL = 100 pF, Imotor = 30 A → 0, (ALV: 1.9 V → 1 V, AREF = 1 V)	-	1	2.5	µs	

Electrical Characteristics (continued)

VB = 12 V, TA = –40°C to +125°C (unless otherwise specified)

PARAMETER		TEST CONDITIONS	MIN	TYP	MAX	UNIT
Tset_TF2 ⁽¹⁾	Settling time(fall), ALV ±1%	Rshunt = 1 mΩ, VGain = 30, CL = 100 pF, Imotor = 100 A → 0, (ALV: 0.4 V → 1 V, AREF = 1 V)	-	1	2.5	μs
OVADth	Overcurrent threshold	Rshunt = 1 mΩ, VGain = 30, AREF = 1 V, ADTH = 2.5 V, SPI register FLTCFG. MTOCTH, OVADth = (2 × ADTH -- AREF) / (Rshunt × VGain)	89.1	99	108.9	A
TDEL_OVAD ⁽¹⁾	Propagation delay (rise or fall)		-	-	1.5	μs
tfiltMTOC	filtering time	OSC1 = 9 MHz-11 MHz	0.8	1	1.2	μs
VCC						
VCC1	Output Voltage		3.23	3.3	3.37	V
IBVCC	Base Current		2			mA
hfePNP	DC current gain of external PNP		100	-	-	
VLRVCC	Load regulation	ILVCC = 5 mA to 200 mA	-20	-	20	mV
CVCC	External Capacitance		22		100	μF
RVCC	ESR of external Capacitor				300	mΩ
VCCUV	Under voltage detection threshold	SPI register FLTCFG. VCCUVTH	2 2.2	2.2 2.4	2.4 2.6	V
VCCUVHYS	Under voltage detection threshold hysteresis		50	100	200	mV
VCCOV	Overvoltage detection threshold		3.5	3.8	4.1	V
VCCOC	Current Limit	Rsns = 0.51 Ω, 0.2 V = Rsns × VCCOC	300	400	550	mA
Tvcc1 ⁽¹⁾	Rise Time	VCC > VCCUV, CVCC = 22 μF			0.5	ms
Tvcc2 ⁽¹⁾	Rise Time	VCC > VCCUV, CVCC = 100 μF			1.5	ms
VDD						
VDD	Output Voltage		3	3.3	3.6	V
CVDD	Load Capacitance			1		μF
VDDUV	Under voltage detection threshold		2.1	2.3	2.5	V
VDDOV	Overvoltage detection threshold		4	4.3	4.6	V
Tvdd ⁽¹⁾	Rise Time	VDD > VDDUV, CVDD = 1 μF			100	μs
VB MONITOR						
VBOV	VB overvoltage detection threshold level		26.5	27.5	28.5	V
VBUV	VB Undervoltage detection threshold level	SPI register FLTCFG. VBUVTH	3.65 4.15 4.65 5.15	4 4.5 5 5.5	4.35 4.85 5.35 5.85	V
THERMAL SHUT DOWN						
TSD ⁽¹⁾	Thermal shut down threshold level		155	175	195	°C
TSDhys ⁽¹⁾	Thermal shut down hysteresis		5	10	15	°C

DRV3203-Q1

SLVSC09B –MAY 2013–REVISED JULY 2016

www.ti.com

Electrical Characteristics (continued)

$V_B = 12\text{ V}$, $T_A = -40^\circ\text{C}$ to $+125^\circ\text{C}$ (unless otherwise specified)

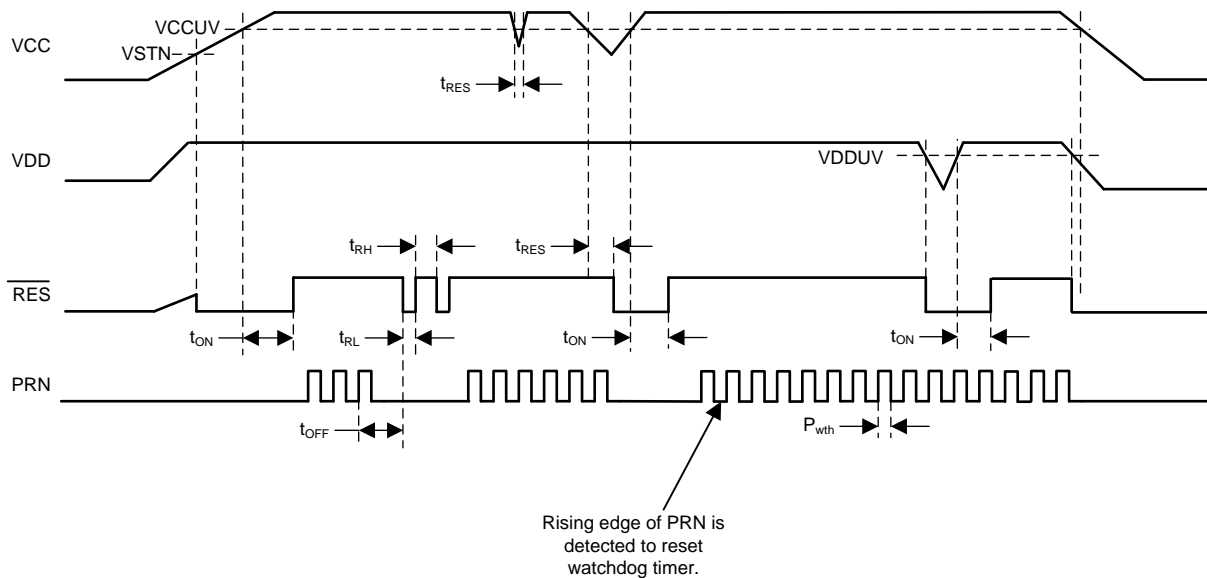
PARAMETER		TEST CONDITIONS	MIN	TYP	MAX	UNIT
OSCILLATOR						
OSC1	OSC1 frequency		9	10	11	MHz
OSC2	OSC2 frequency			10		MHz
INPUT BUFFER1						
V_{IH}	Input threshold logic high		$0.7 \times V_{CC}$			V
V_{IL}	Input threshold logic low			$0.3 \times V_{CC}$		V
R_u or R_d	Input pullup or pulldown resistance		50	100	150	k Ω
OUTPUT BUFFER1(2)						
V_{OH}	Output level logic high	$I_{sink} = 1\text{ mA}$	$0.9 \times V_{CC}$			V
V_{OL}	Output level logic low	$I_{source} = 1\text{ mA}$		$0.1 \times V_{CC}$		V
OUTPUT BUFFER3						
R_{RES}	Pull up Resistor		2	3	4	k Ω
V_{OL}	Output level logic low	$I_{source} = 2\text{ mA}$		$0.1 \times V_{CC}$		V

6.5 Supply Voltage and Current

$V_B = 12\text{ V}$, $T_A = -40^\circ\text{C}$ to $+125^\circ\text{C}$ (unless otherwise specified)

PARAMETER		TEST CONDITIONS	MIN	TYP	MAX	UNITS
SUPPLY INPUT						
$V_{B1}^{(1)}$	V_B supply voltage (motor operation)	Full device functionality	5.3	12	18	V
$V_{B2}^{(1)}$	V_B supply voltage (MCU operation)	Full device functionality	4.5	12	18	V
$V_{B3}^{(2)}$	V_B supply voltage		18	-	28.5	V
I_{vb}	V_B operating current	ENABLE = High, no PWM	-	18	27	mA
I_{vbq}	V_B quiescent current	ENABLE = Low	-	50	100	μA

- (1) Performance of supply voltage 5.3 to 18 V is according to the ACE-Q100 (Grade 1) standard.
- (2) Specified by design.



NOTE: V_{CC} undervoltage condition sets $\overline{RES} = \text{Low}$.

Figure 1. Watchdog Timing Chart

DRV3203-Q1

SLVSC09B –MAY 2013–REVISED JULY 2016

www.ti.com

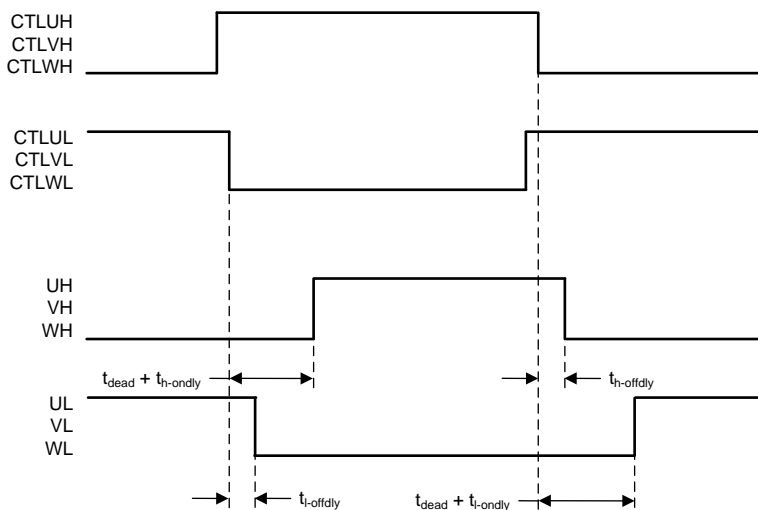


Figure 4. Dead Time

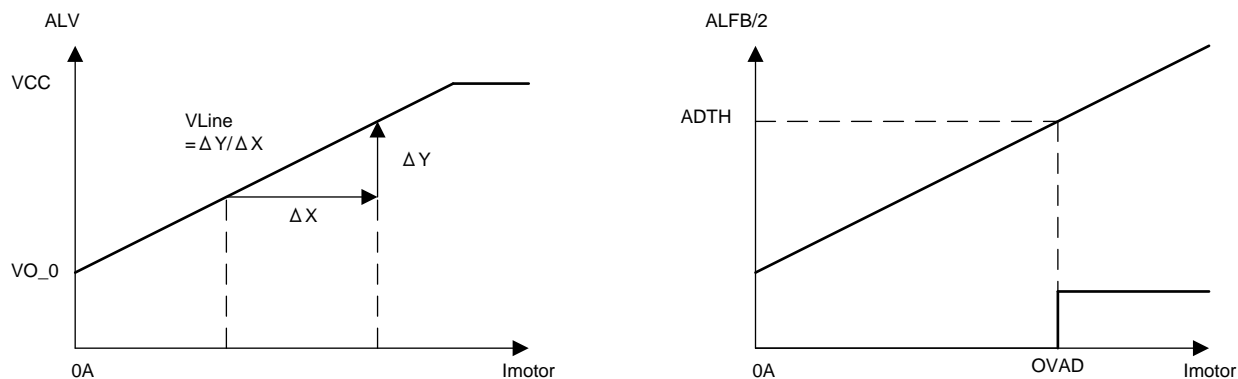
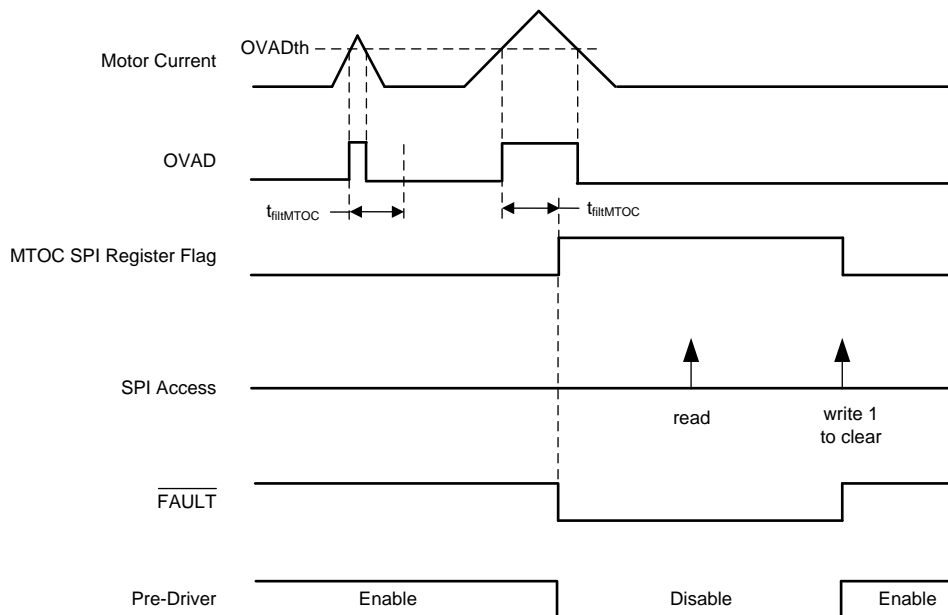


Figure 5. Motor Current Sense and Overcurrent



- (1) MCU must set the FLTCFG.FLGLATCH_EN bit to 1 to get the latch-type operation shown in this figure.
- (2) When MTOC condition is detected, $\overline{\text{FAULT}}$ is asserted to low if FE_MTOC bit is 1.
- (3) When MTOC condition is detected, Pre Driver is disabled if SE_MTOC is 1.

Figure 6. Motor Overcurrent Event

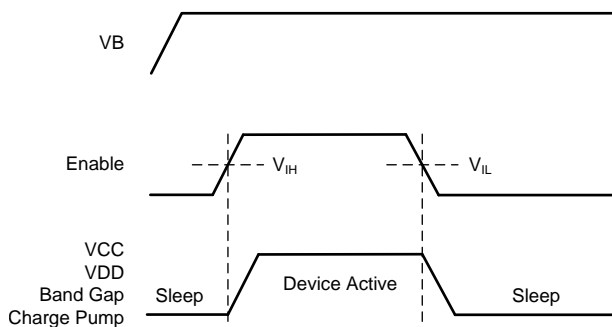


Figure 7. I/O ENABLE Timing Chart

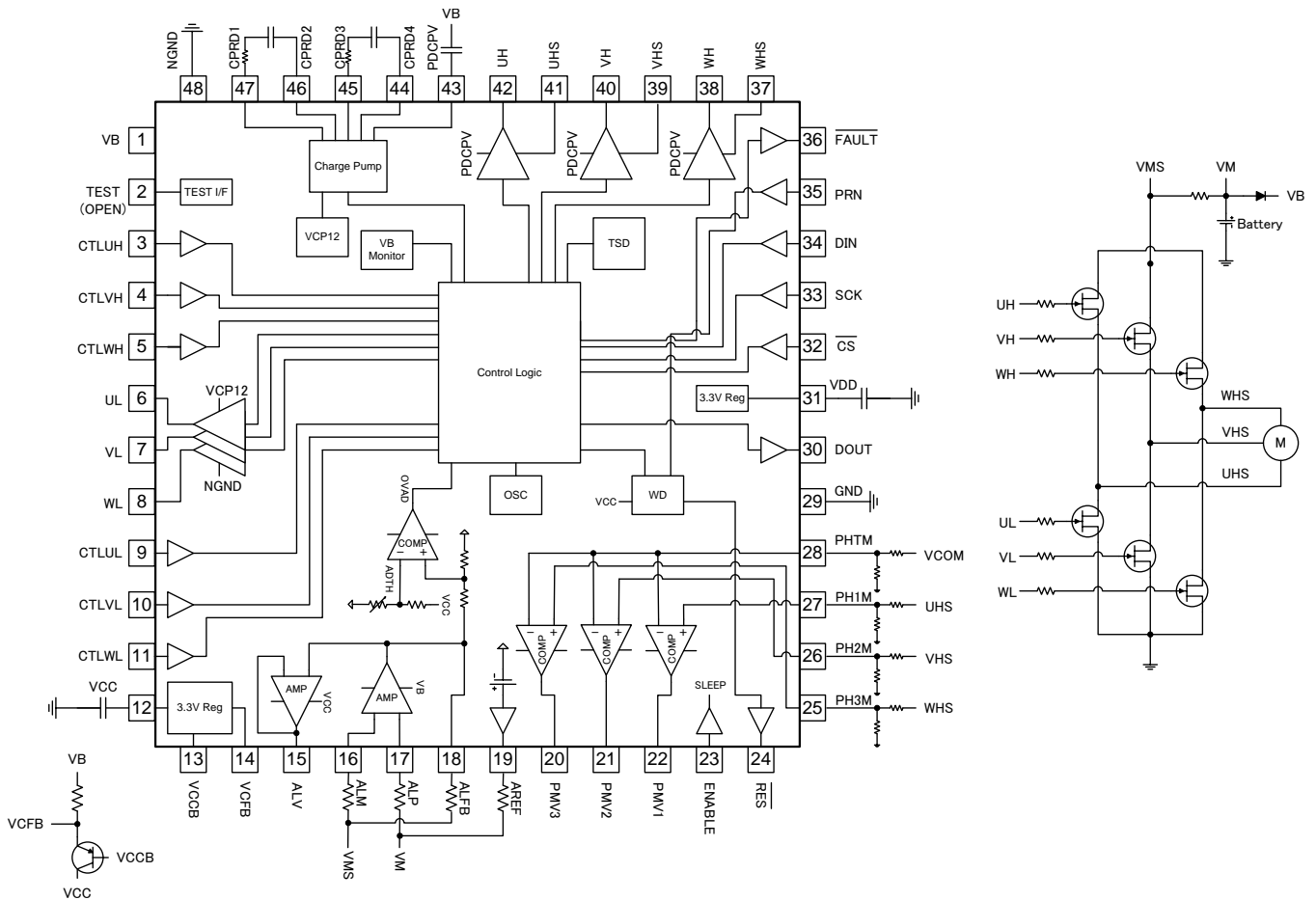
DRV3203-Q1

SLVSC09B –MAY 2013–REVISED JULY 2016

www.ti.com

7 Detailed Description

7.1 Functional Block Diagram



7.2 Feature Description

7.2.1 Watchdog

A watchdog monitors the PRN signal and VCC supply level and generates a reset to the MCU through the $\overline{\text{RES}}$ pin if the status of PRN is not normal or VCC is lower than the specified threshold level. Detection of a special pattern on the PRN input during power up can disable the watchdog.

Feature Description (continued)

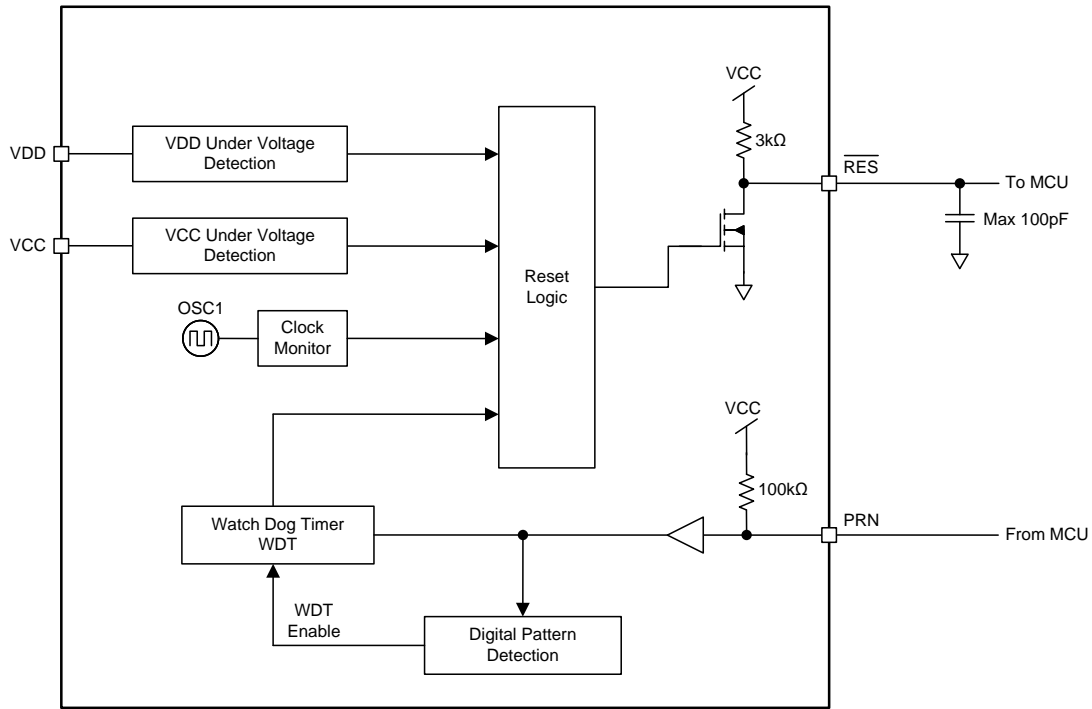


Figure 8. Watchdog Block Diagram

Feature Description (continued)

7.2.3 Charge Pump

The charge-pump block generates a supply for the high-side and low-side pre-drivers to maintain the gate voltage on the external FETs. Use of an external storage capacitor (CCP) and bucket capacitors (C1, C2) supports pre-driver slope and switching-frequency requirements. R1 and R2 reduce switching current if required. The charge pump has voltage-supervisor functions such as over- and undervoltage, and selectable stop conditions for pre-drivers.

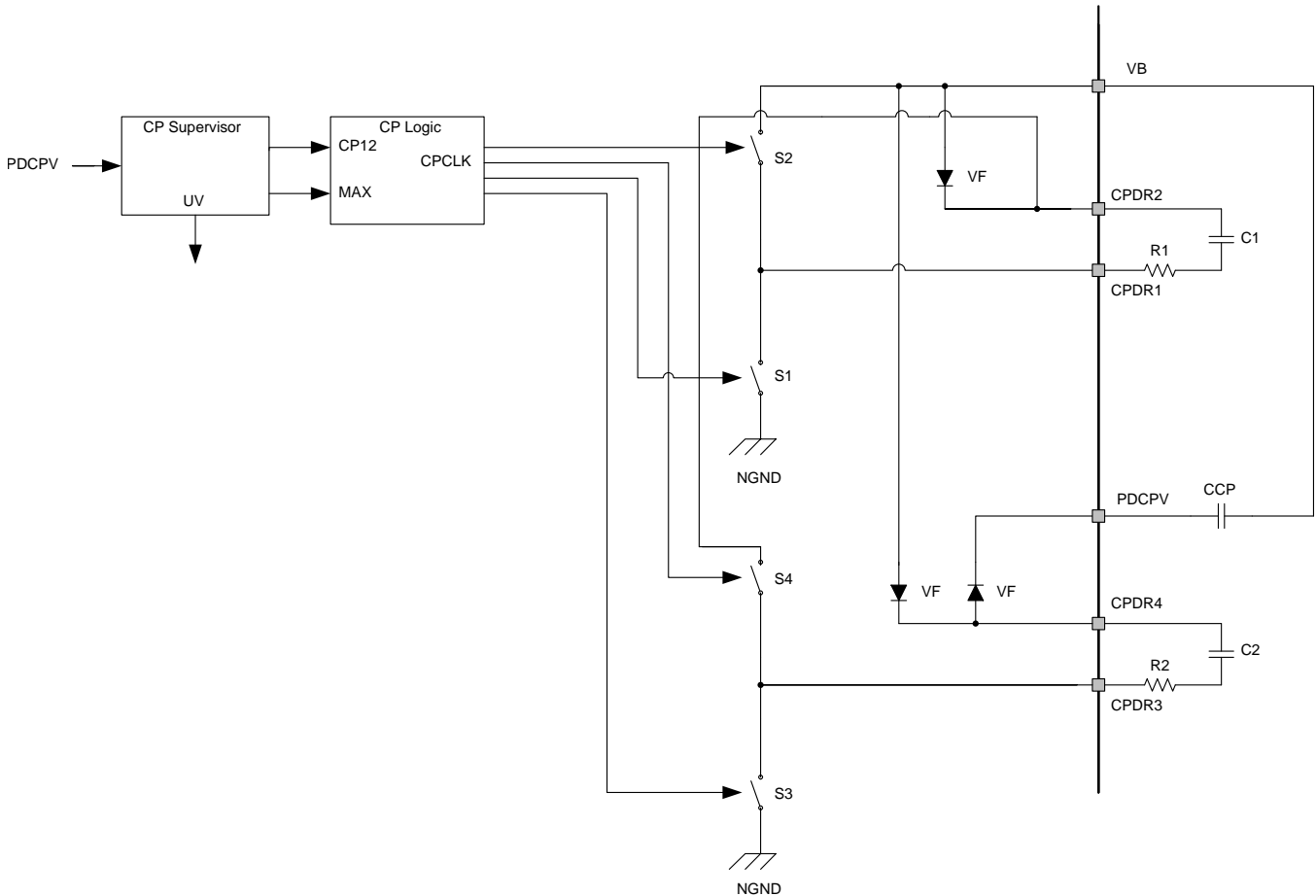


Figure 10. Charge-Pump Block Diagram

Feature Description (continued)

7.2.4 Pre-Driver

The pre-driver block provides three high-side pre-drivers and three low-side pre-drivers to drive external N-channel MOSFETs. The turnon side of the high-side pre-drivers supplies the large N-channel transistor current for quick charge, and PMOS supports output voltages up to PDCPV. The turnoff side of the high-side pre-drivers supplies the large N-channel transistor current for quick discharge. The low-side pre-drivers supply the large N-channel transistor current for charge and discharge. VCP12 (created by a charge pump) controls the output voltage of the low-side pre-driver to output less than 18 V. The pre-driver has a stop condition in some fault conditions ([Fault Detection](#)) and SPI set ([Serial Port I/F](#)).

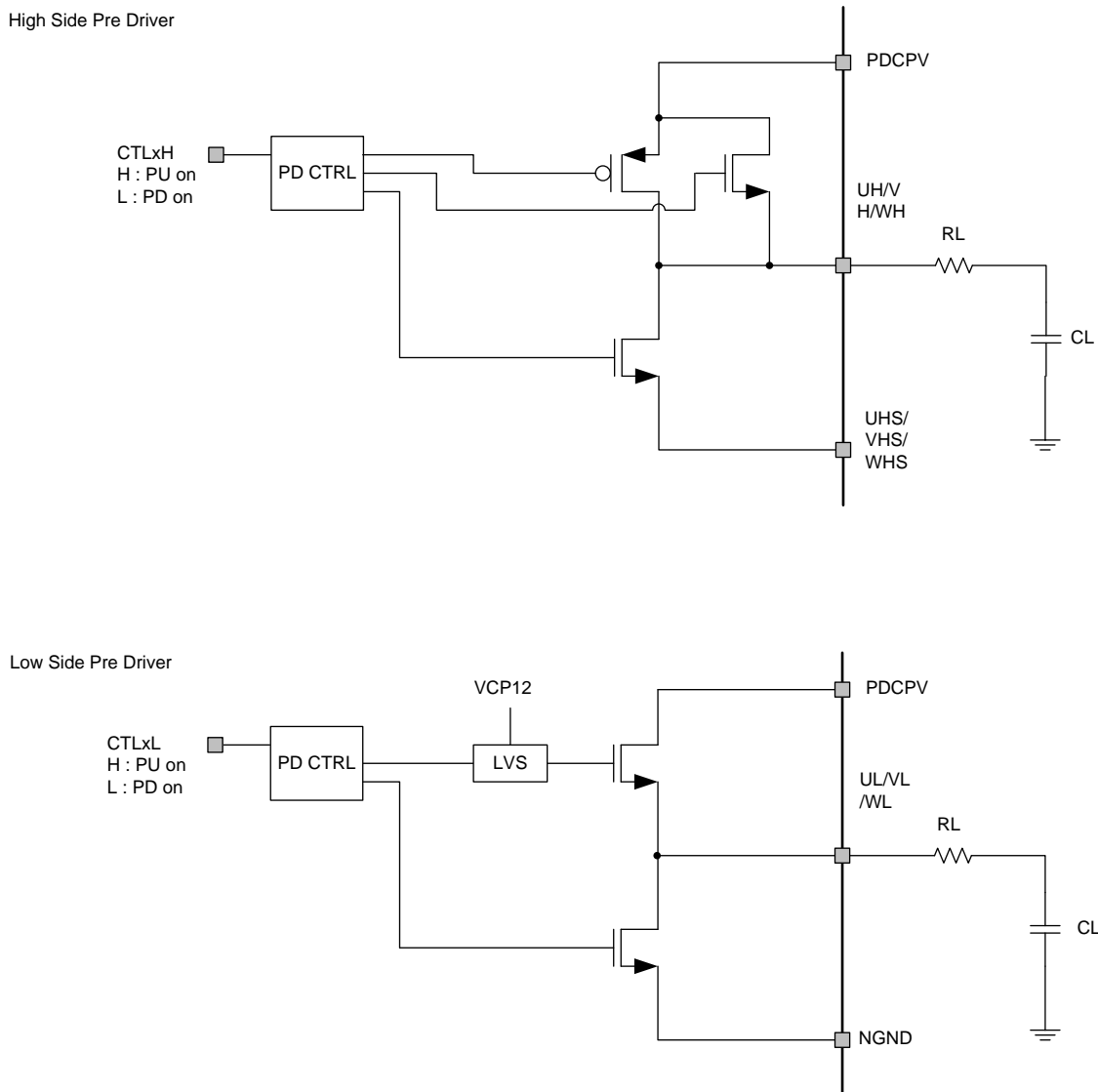


Figure 11. Pre-Driver Block Diagram

Feature Description (continued)

7.2.5 Phase Comparator

The three-channel comparator module monitors the external FETs by detecting the drain-source voltage across the high-side and low-side FETs. PHTM is the threshold level of the comparators usable for sensorless communication. Figure 12 shows an example of the threshold level.

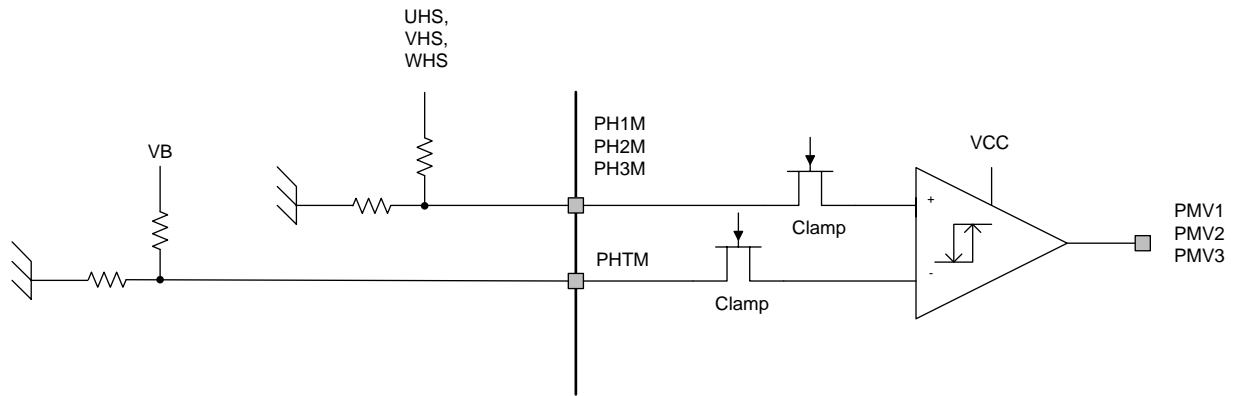


Figure 12. Phase Comparator Block Diagram

Feature Description (continued)

7.2.6 Motor-Current Sense

The operational amplifier operates with an external resistor network for higher flexibility to adjust the current measurement to application requirements. The first-stage amplifier operates with the external resistor and the output voltage up to V_B at ALFB. External resistors adjust the amplifier gain by 10 to 30 times. The second-stage amplifier is buffered to MCU at ALV. The current sense has a comparator for motor overcurrent (OVAD). ADTH is the overcurrent threshold level and is the value set by SPI. Figure 13 shows the curve of detection level. ALFB is divided by 2. Compare this value with ADTH. In recommended application, the zero-point adjustment is required as large error offset in initial condition.

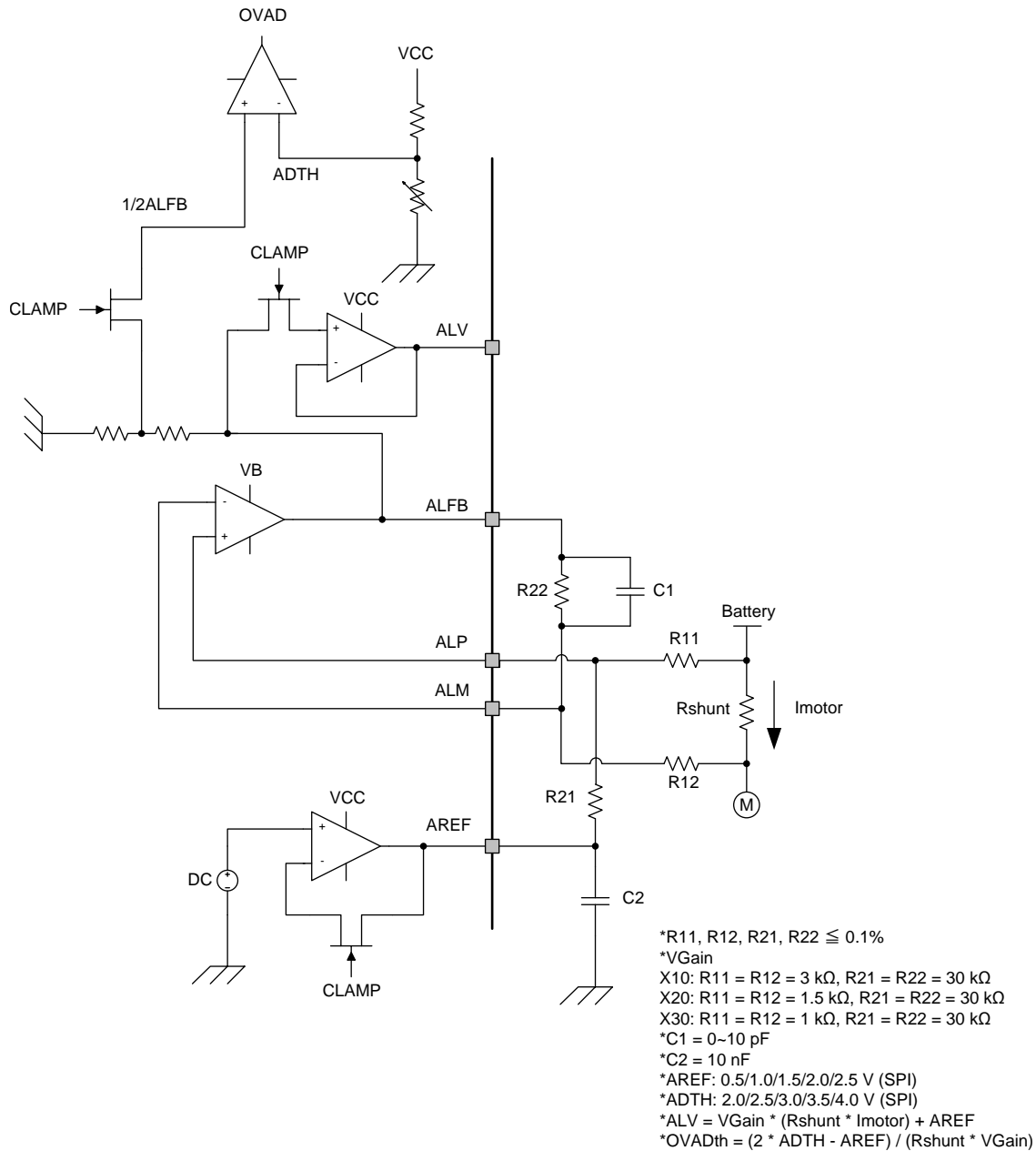


Figure 13. Motor Current-Sense Block Diagram

Feature Description (continued)

7.2.7 Regulators

The regulator block offers 3.3-V LDOs. The VCC LDO regulates VB down to 3.3 V with an external PNP controlled by the regulator block. This 3.3-V LDO is supplied to MCU and other components.

The VDD regulator regulates VB down to 3.3 V with internal FET and controller. The 3.3-V LDO with the external PNP is protected against short to GND fault. Overvoltage and undervoltage events of both supplies are detected. The under voltage of the 3.3-V LDO with the external PNP is set by SPI.

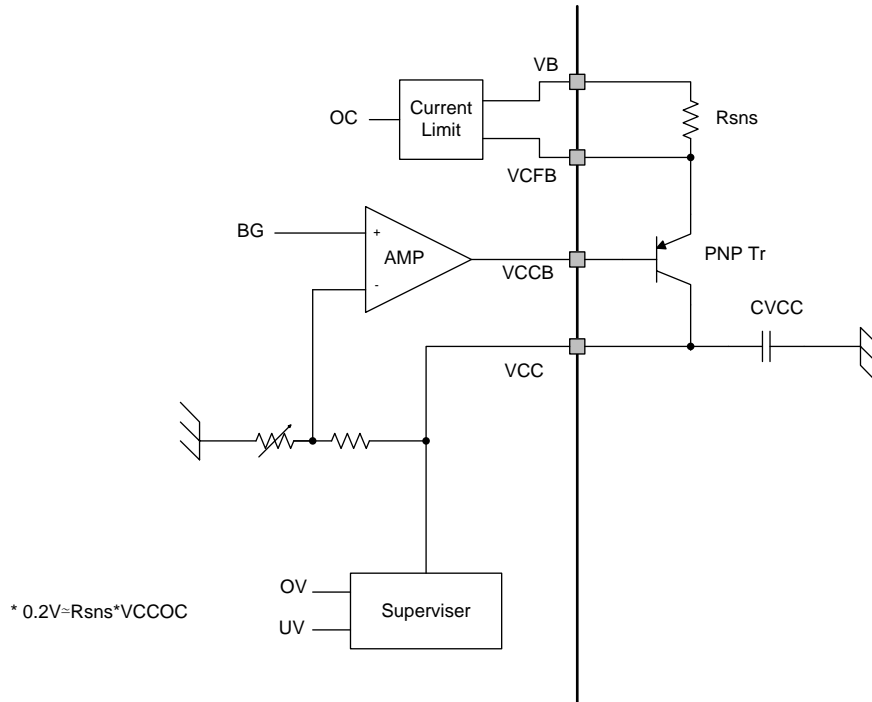


Figure 14. VCC Block Diagram (External Driver)

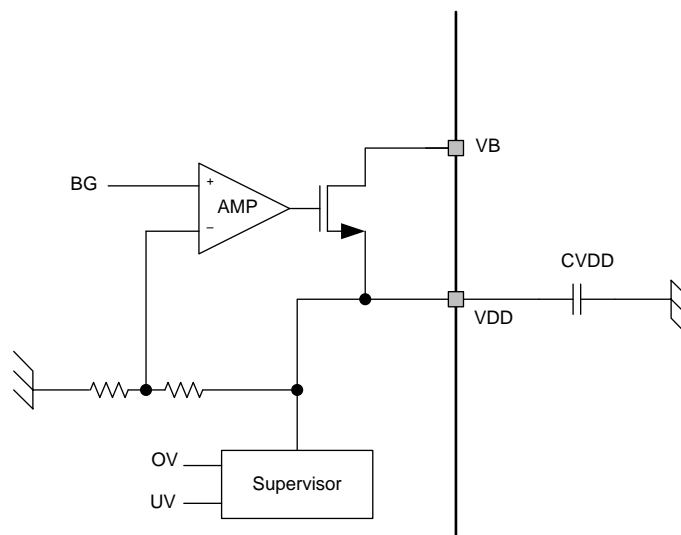


Figure 15. VDD Block Diagram

Feature Description (continued)

7.2.8 VB Monitor

The VB monitoring system has two comparators for under- and overvoltage, and has pre-driver stop-controlling system. Overvoltage provides a selectable pre-driver stop condition (SPI control), while undervoltage must stop pre-driver operation under detection (no selectable). The system should return to normal operation automatically after undetected level.

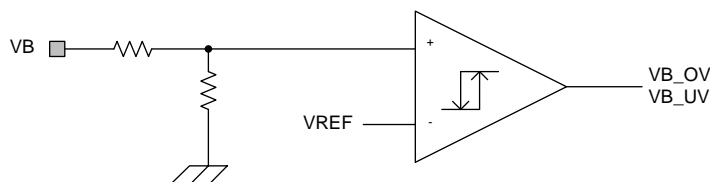


Figure 16. VB Monitor Block Diagram

7.2.9 Thermal Shutdown

The device has temperature sensors that produce pre-driver stop condition if the chip temperature exceeds 175°C.

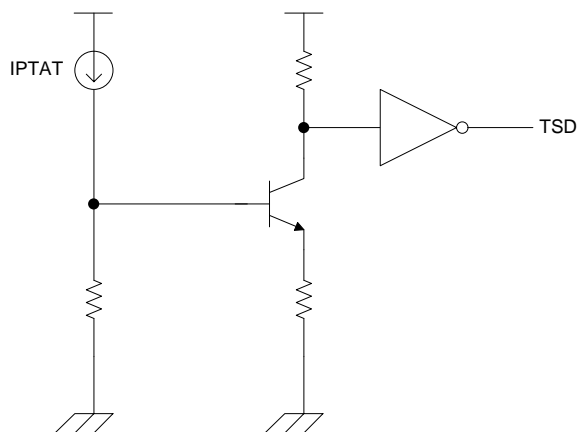


Figure 17. Thermal Shutdown Block Diagram

Feature Description (continued)

7.2.10 Oscillator

The oscillator block generates two 10-MHZ clock signals. OSC1 is the primary clock used for internal logic-synchronization and timing control. OSC2 is the secondary clock used to monitor the status of OSC1.

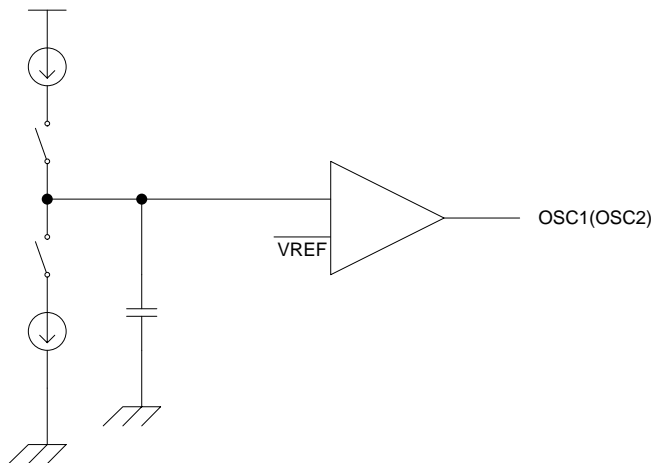
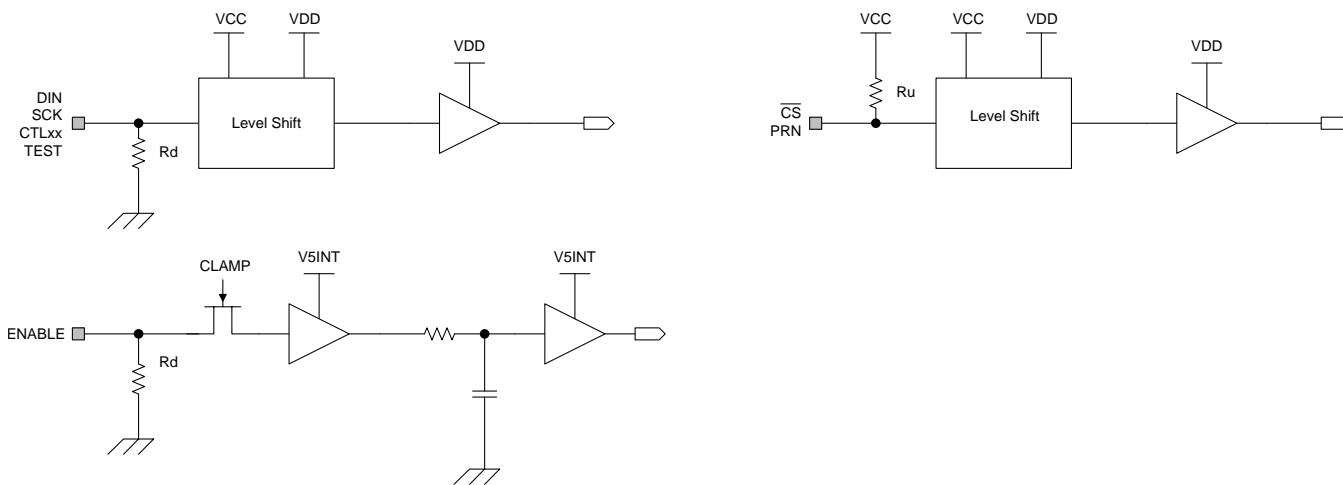


Figure 18. Oscillator Block Diagram

7.2.11 I/O



* V5INT is the internal power supply.

Figure 19. Input Buffer1 Block Diagram

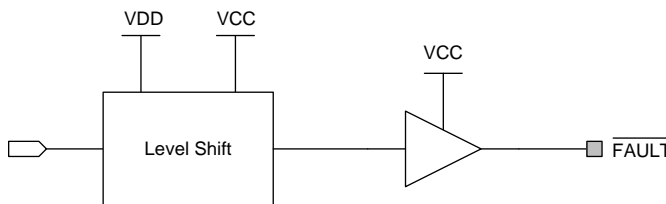


Figure 20. Output Buffer1 Block Diagram

Feature Description (continued)

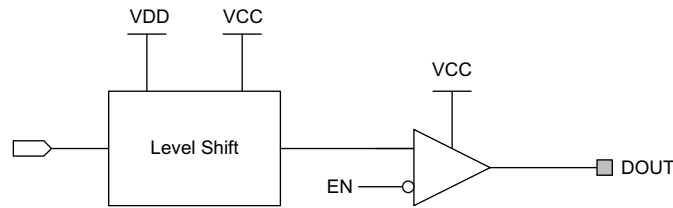


Figure 21. Output Buffer2 Block Diagram

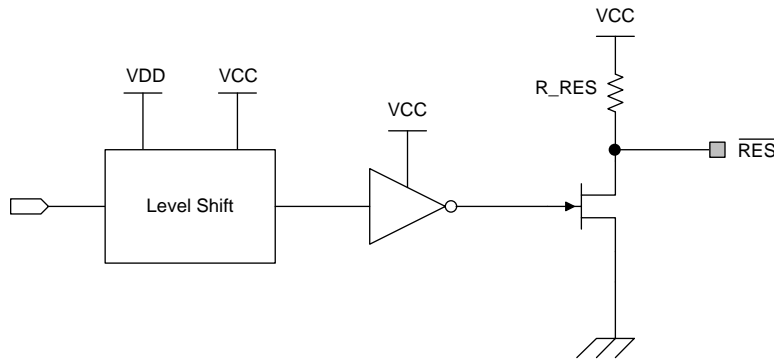


Figure 22. Output Buffer3 Block Diagram

Table 1. Recommended Pin Termination

PIN NAME	DESCRIPTION	TERMINATION
TEST	Test mode input	OPEN

7.2.12 Fault Detection

Table 2. Fault Detection

ITEMS	SPI FLTLFG	Pre Driver ⁽¹⁾	FAULT ⁽²⁾	RES	Others
VB - Overvoltage	VBOV	Disable	L	H	
VB - Undervoltage	VBUV	Disable	L	H	
CP - Overvoltage	CPOV	Disable	L	H	
CP - Undervoltage	CPUV	Disable	L	H	
VCC - Overvoltage	VCCOV	Disable	L	H	
VCC - Under Voltage	-	Disable ⁽³⁾	H	L	
VCC - Overcurrent	VCCOC	Disable	L	H	
Motor - Overcurrent	MTOC	Disable	L	H	
VDD - Overvoltage	VDDOV	Disable	L	H	
VDD - Undervoltage	-	Disable ⁽³⁾	H	L	
Thermal shutdown	TSD	Disable	L	H	
Watch Dog	-	-	H	L	
Clock Monitor	-	-	H	L	
SPI format error	-	-	H	H	SPI serial out error bit

(1) Pre-driver is disabled if the conditions occur and SDNEN register bits are 1.

(2) FAULT pin is asserted to low if the conditions occur and FLTEN register bits are 1.

(3) Pre-driver is disabled by VCC undervoltage and VDD undervoltage conditions regardless of SPI register setting.

7.3 Register Maps

Table 3. SPI Serial Input Format

	MSB	D14	D13	D12	D11	D10	D9	D8
DIN	RW[1]	RW[0]	Addr[5]	Addr[4]	Addr[3]	Addr[2]	Addr[1]	Addr[0]
	D7	D6	D5	D4	D3	D2	D1	LSB
DIN	Data[7]	Data[6]	Data[5]	Data[4]	Data[3]	Data[2]	Data[1]	Data[0]

Table 4. SPI Serial Output Data Format

	MSB	D14	D13	D12	D11	D10	D9	D8
DOUT	0	Frame fault	0	0	0	0	0	1
	D7	D6	D5	D4	D3	D2	D1	LSB
DOUT	Data[7]	Data[6]	Data[5]	Data[4]	Data[3]	Data[2]	Data[1]	Data[0]

SPI serial input and output format

RW[1:0] : 01: write mode; 00: read mode

Addr[5:0] : Address of SPI access

Data[7:0] : Input data to write or output data to read

Frame fault : 0: No error exists in the previous SPI frame.

: 1: Error exists in the previous SPI frame.

Table 5. SPI Register Map

Register Name	Addr (Hex)	b7	b6	b5	b4	b3	b2	b1	b0	Reset (Hex)	
Reserved	00	RSVD								00	
CFGUNLK	01	RSVD				CFGUNLK					00
FLTCFG	02	FLGLATCH_EN	MTOCTH			RSVD	VCCUVTH	VBUVTH			00
Reserved	03	RSVD								00	
FLTEN0	04	FE_MTOC	FE_VCCOC	FE_VCCOV	FE_VDDOV	FE_CPOV	FE_CPUV	FE_VBOV	FE_VBUV	FF	
FLTEN1	05	RSVD								FE_TSD	01
SDNEN0	06	SE_MTOC	SE_VCCOC	SE_VCCOV	SE_VDDOV	SE_CPOV	SE_CPUV	SE_VBOV	SE_VBUV	FF	
SDNEN1	07	RSVD								SE_TSD	01
FLTFLG0	08	MTOC	VCCOC	VCCOV	VDDOV	CPOV	CPUV	VBOV	VBUV	00	
FLTFLG1	09	RSVD								TSD	00
CSCFG	0A	RSVD					CSOFFSET				00
PDCFG	0B	RSVD						DEADT			00
DIAG	0C	RSVD					VCCURST	WDRST	CMRST	00	
SPARE	0D	SPARE						SEL_COMP_HYS			00
Reserved	0E-3F	RSVD								00	

7.3.1 Register Descriptions

Access type: R = Read and W = Write.

Reserved register: Read of reserved bits return 0 and write has no effect.

7.3.1.1 CFGUNLK (address 0x01): Configuration Unlock Register

Bit	Name	Type	Reset	Description
3:0	CFGUNLK	RW	0000	DRV3203-Q1 SPI register map has lock and unlock mode, and it is in lock mode by default. MCU can write values of the following registers in unlock mode; <ul style="list-style-type: none"> • FLTCFG • FLTEN0 and FLTEN1 • SDNEN0 and SDNEN1 • CSCFG

DRV3203-Q1

SLVSC09B –MAY 2013–REVISED JULY 2016

www.ti.com

Bit	Name	Type	Reset	Description
				<ul style="list-style-type: none"> • PDCFG • WDCFG <p>In lock mode, read returns the values, but writing the registers have no effect.</p> <p>Device enters unlock mode by writing 0x5, 0x8, 0x7 to CFGUNLK register in series. Device exits from unlock mode by writing 0x0.</p>

7.3.1.2 FLTCFG (address 0x02): Fault Detection Configuration Register

Bit	Name	Type	Reset	Description
7	FLGLATCH_EN	RW	0	<p>Fault-flag (FLTFLG*) latch enable</p> <p>0: Fault events do not latch fault-flag register bits.</p> <p>1: Latching of fault-flag register bits by the fault events occurs. The flag bits remain asserted until cleared.</p>
6:4	MTOCTH	RW	000	<p>Motor overcurrent detection threshold</p> <p>000: 1.32 V</p> <p>001: 1.65 V</p> <p>010: 1.98 V</p> <p>011: 2.31 V</p> <p>100: 2.64 V</p> <p>Others: 1.32 V</p>
3	RSVD	R	0	Reserved
2	VCCUVTH	RW	0	<p>VCC undervoltage detection threshold</p> <p>0: 2.3 V</p> <p>1: 2.4 V</p>
1:0	VBUVTH	RW	00	<p>VB undervoltage detection threshold</p> <p>00: 4 V</p> <p>01: 4.5 V</p> <p>10: 5 V</p> <p>11: 5.5 V</p>

7.3.1.3 FLTEN0 (address 0x04): FAULT Pin Enable Register 0

Bit	Name	Type	Reset	Description
7	FE_MTOC	RW	1	<p>FAULT pin enable of FLTFLG0 register bits.</p> <p>0: Assertion of the FAULT pin does not occur when the fault flag bit is 1</p> <p>1: Assertion of the FAULT pin to low level occurs when the fault flag bit is 1. See Figure 23</p>
6	FE_VCCOC	RW	1	
5	FE_VCCOV	RW	1	
4	FE_VDDOV	RW	1	
3	FE_CPOV	RW	1	
2	FE_CPUV	RW	1	
1	FE_VBOV	RW	1	
0	FE_VBUV	RW	1	

7.3.1.4 FLTEN1 (address 0x05): FAULT Pin Enable Register 1

Bit	Name	Type	Reset	Description
7:1	RSVD	R	0000 000	Reserved
0	FE_TSD	RW	1	<p>FAULT pin enable of TSD flag bit</p> <p>0: Assertion of the FAULT pin does not occur when the fault flag bit is 1</p> <p>1: Assertion of the FAULT pin to low level occurs when the TSD flag bit is 1. See Figure 23</p>

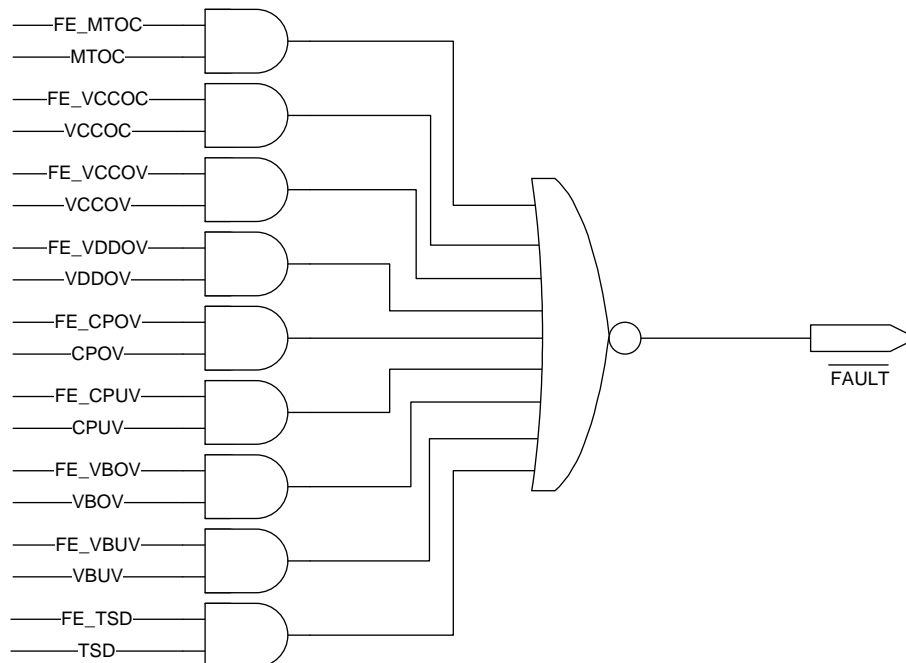


Figure 23. FAULT Pin Enable Logic

7.3.1.5 SDNEN0 (address 0x06): Pre-Driver Shutdown Enable Register 0

Bit	Name	Type	Reset	Description
7	SE_MTOC	RW	1	Pre-driver shutdown enable of FLTFLG0 register bits 0: Disabling of the pre-driver outputs does not occur when the fault flag bit is 1. 1: Disabling of the pre-driver outputs occurs when the fault flag bit is 1. Both the high-side and low-side FETs turn off. See Figure 24 .
6	SE_VCCOC	RW	1	
5	SE_VCCOV	RW	1	
4	SE_VDDOV	RW	1	
3	SE_CPOV	RW	1	
2	SE_CPUV	RW	1	
1	SE_VBOV	RW	1	
0	SE_VBUV	RW	1	

7.3.1.6 SDNEN1 (address 0x07): Pre-Driver Shutdown Enable Register 1

Bit	Name	Type	Reset	Description
7:1	RSVD	R	0000 000	Reserved
0	SE_TSD	RW	1	Pre-driver shutdown enable of TSD flag bits 0: Disabling of the pre-driver outputs does not occur when the TSD flag bit is 1. 1: Disabling of the pre-driver outputs occurs when the TSD flag bit is 1. Both the high-side and low-side FETs turn off. See Figure 24 .

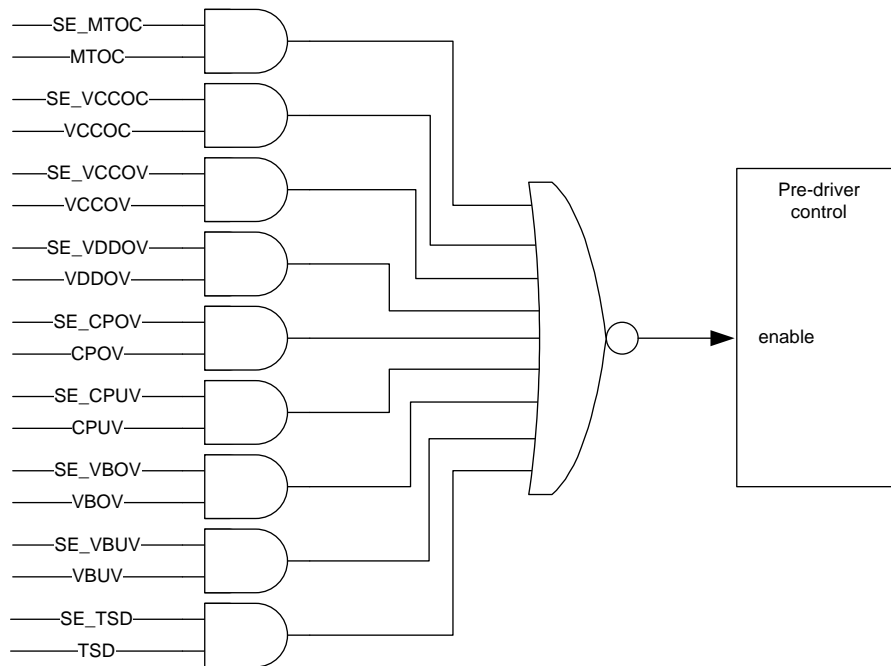


Figure 24. Pre-Driver Shutdown Logic

7.3.1.7 FLTLFG0 (address 0x08): Fault Flag Register 0

Bit	Name	Type ⁽¹⁾	Reset	Description
				Fault flag bits of the following conditions; ⁽²⁾
7	MTOC	RW	0	MTOC: Motor overcurrent. (OVAD)
6	VCCOC	RW	0	VCCOC: VCC overcurrent
5	VCCOV	RW	0	VCCOV: VCC overvoltage
4	VDDOV	RW	0	VDDOV: VDD overvoltage
3	CPOV	RW	0	CPOV: Charge-pump overvoltage
2	CPUV	RW	0	CPUV: Charge-pump undervoltage
1	VBOV	RW	0	VBOV: VB overvoltage
0	VBUV	RW	0	VBUV: VB undervoltage
				If FLTCFG.FLGLATCH_EN = 1 0: Read = No fault condition exists since last cleared. Write = No effect 1: Read = Fault condition exists. Write = Clear the flag. If FLTCFG.FLGLATCH_EN = 0 0: Read = No fault condition Write = No effect 1: Read = Fault condition Write = No effect

(1) R: Read, W: Write

(2) Assertion of the fault flags may occur during power up.

7.3.1.8 FLGFLT1 (address 0x09): Fault Flag Register 1

Bit	Name	Type ⁽¹⁾	Reset	Description
7:1	RSVD	R	0000 000	Reserved
0	VBUV	RW	1	Fault flag bit of thermal shutdown condition. ⁽²⁾ If FLT_CFG.FLGLATCH_EN = 1 0: Read = No fault condition exists since last cleared. Write = No effect 1: Read = Fault condition exists. Write = Clear the flag If FLT_CFG.FLGLATCH_EN = 0 0: Read = No fault condition Write = No effect 1: Read = Fault condition Write = No effect

- (1) R: Read, W: Write
- (2) Assertion of the fault flags may occur during power up.

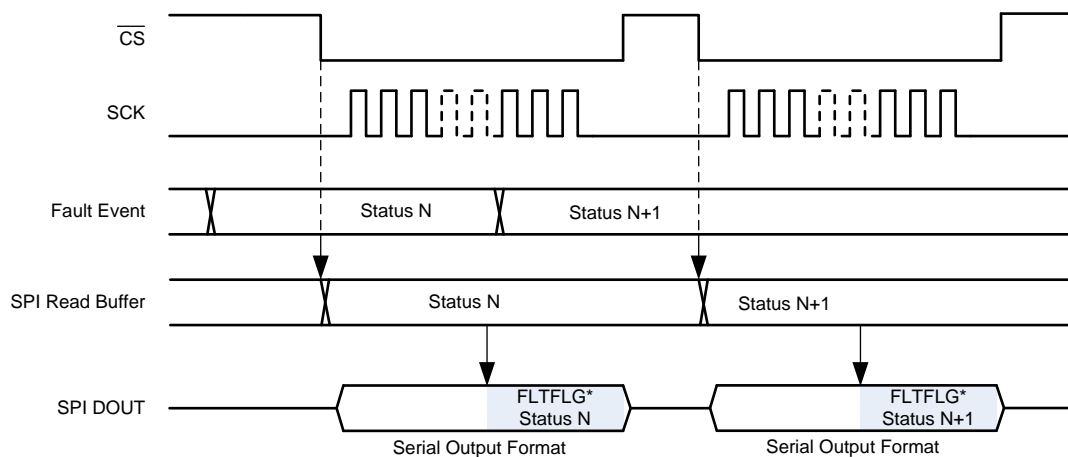
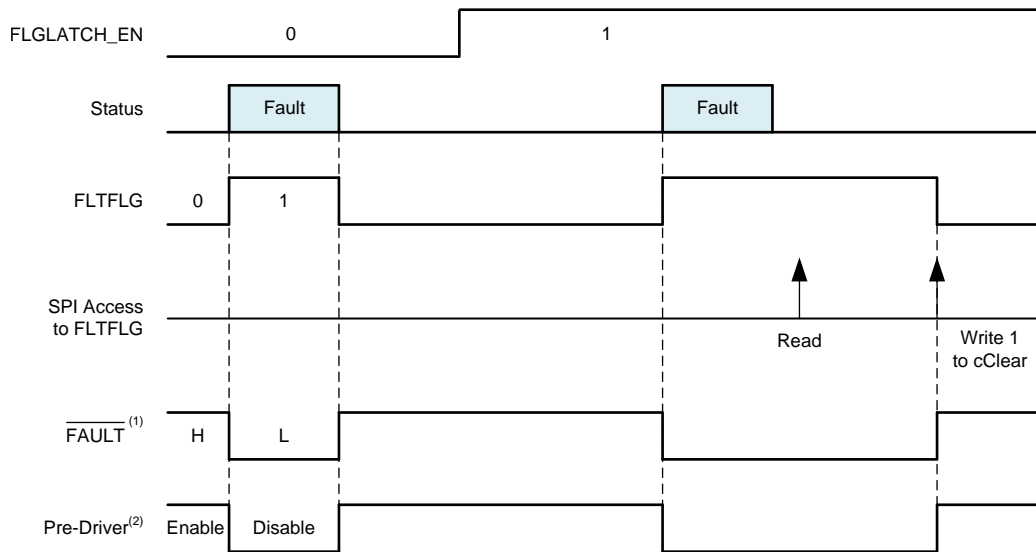


Figure 25. SPI Data-Out Timing Chart of Fault Flag Registers



- (1) Assertion of $\overline{\text{FAULT}}$ occurs if $\text{FLTEN} = 1$.
- (2) Disabling of pre-driver occurs if $\text{SDNEN} = 1$.

Figure 26. FLTF LG and FLGLATCH_EN

7.3.1.9 CSCFG (address 0x0A): Current Sense Configuration Register

Bit	Name	Type ⁽¹⁾	Reset	Description
7:3	RSVD	R	0000 0	Reserved
2:0	CSOFFSET	RW	000	Current-sense offset 000: 0.5 V 001: 1 V 010: 1.5 V Others: 0.5 V

- (1) R: Read W: Write

7.3.1.10 PDCFG (address 0x0B): Pre-Driver Configuration Register

Bit	Name	Type ⁽¹⁾	Reset	Description
7:2	RSVD	R	0000 00	Reserved
1:0	DEADT	RW	00	Dead time (= t_{dead}) 00: 2 μs 01: 1.5 μs 10: 1 μs 11: 0.5 μs The actual dead time has $\pm 0.2\text{-}\mu\text{s}$ variation from the typical value.

- (1) R: Read W: Write

7.3.1.11 DIAG (address 0x0C): Diagnosis Register

Bit	Name	Type	Reset	Description
7:3	RSVD	R	0000 0	Reserved
2	VCCUVRST	R	0	nRES reset source information Bit 2 = VCCUVRST - VCC undervoltage Bit 1 = WDTRST - watchdog timer Bit 0 = CMRST - clock monitor 0: Read = Reset has not occurred.
1	WDTRST	R	0	
0	CMRST	R	0	

Bit	Name	Type	Reset	Description
				Write = No effect 1: Read = A corresponding reset source caused the last reset condition. Write = No effect Read access to this register clears the bits.

7.3.1.12 SPARE (address 0x0D): Spare Register

Bit	Name	Type ⁽¹⁾	Reset	Description
7:2	SPARE	RW	0000 00	Spare registers for future use. Read and write have no effect.
1:0	SEL_COMP_HYS	RW	00	Select phase comparator hysteresis voltage. The following show the typical values. 00: 0 V 01: 25 mV 10: 50 mV 11: 100 mV

(1) R: Read W: Write

8 Application and Implementation

NOTE

Information in the following applications sections is not part of the TI component specification, and TI does not warrant its accuracy or completeness. TI's customers are responsible for determining suitability of components for their purposes. Customers should validate and test their design implementation to confirm system functionality.

8.1 Typical Application

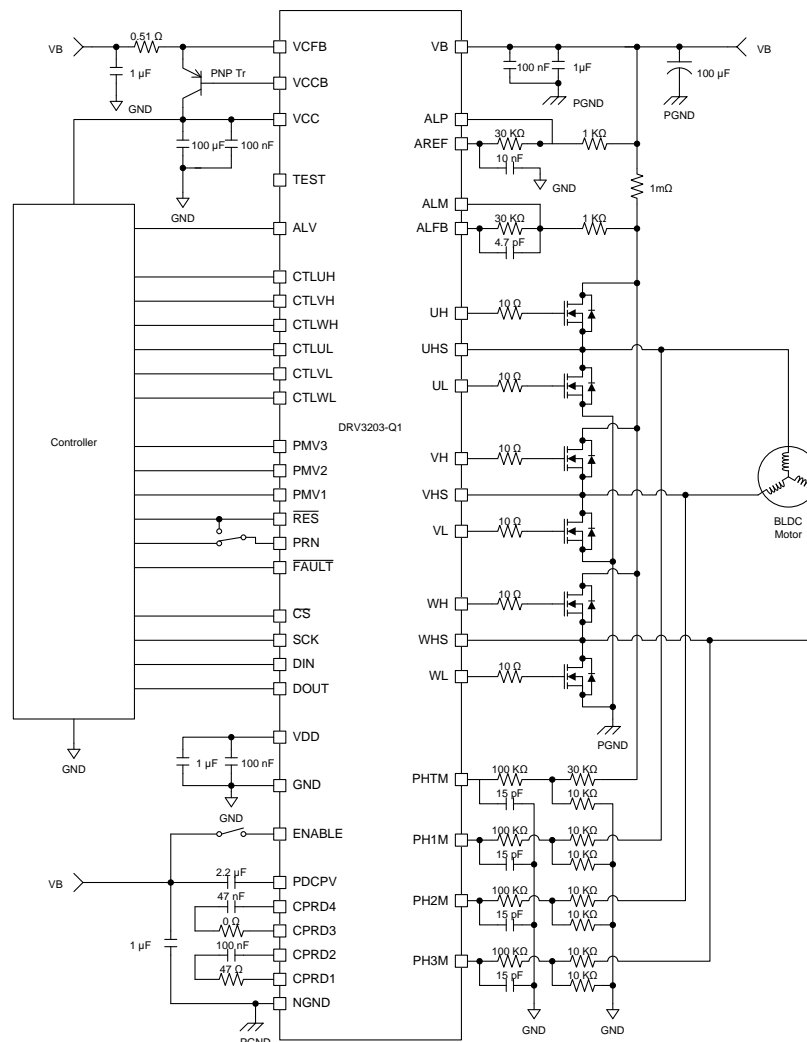


Figure 27. Typical Application Schematic

9 Device and Documentation Support

9.1 Receiving Notification of Documentation Updates

To receive notification of documentation updates, navigate to the device product folder on ti.com. In the upper right corner, click on *Alert me* to register and receive a weekly digest of any product information that has changed. For change details, review the revision history included in any revised document.

9.2 Community Resources

The following links connect to TI community resources. Linked contents are provided "AS IS" by the respective contributors. They do not constitute TI specifications and do not necessarily reflect TI's views; see TI's [Terms of Use](#).

TI E2E™ Online Community *TI's Engineer-to-Engineer (E2E) Community*. Created to foster collaboration among engineers. At e2e.ti.com, you can ask questions, share knowledge, explore ideas and help solve problems with fellow engineers.

Design Support *TI's Design Support* Quickly find helpful E2E forums along with design support tools and contact information for technical support.

9.3 Trademarks

E2E is a trademark of Texas Instruments.
All other trademarks are the property of their respective owners.

9.4 Electrostatic Discharge Caution



These devices have limited built-in ESD protection. The leads should be shorted together or the device placed in conductive foam during storage or handling to prevent electrostatic damage to the MOS gates.

9.5 Glossary

[SLYZ022](#) — *TI Glossary*.

This glossary lists and explains terms, acronyms, and definitions.

10 Mechanical, Packaging, and Orderable Information

The following pages include mechanical, packaging, and orderable information. This information is the most current data available for the designated devices. This data is subject to change without notice and revision of this document. For browser-based versions of this data sheet, refer to the left-hand navigation.

PACKAGING INFORMATION

Orderable Device	Status (1)	Package Type	Package Drawing	Pins	Package Qty	Eco Plan (2)	Lead/Ball Finish (6)	MSL Peak Temp (3)	Op Temp (°C)	Device Marking (4/5)	Samples
DRV3203QPHPQ1	NRND	HTQFP	PHP	48	250	Green (RoHS & no Sb/Br)	NIPDAU	Level-3-260C-168 HR	-40 to 125	DRV3203	
DRV3203QPHPRQ1	NRND	HTQFP	PHP	48	1000	Green (RoHS & no Sb/Br)	NIPDAU	Level-3-260C-168 HR	-40 to 125	DRV3203	

(1) The marketing status values are defined as follows:

ACTIVE: Product device recommended for new designs.

LIFEBUY: TI has announced that the device will be discontinued, and a lifetime-buy period is in effect.

NRND: Not recommended for new designs. Device is in production to support existing customers, but TI does not recommend using this part in a new design.

PREVIEW: Device has been announced but is not in production. Samples may or may not be available.

OBSOLETE: TI has discontinued the production of the device.

(2) **RoHS:** TI defines "RoHS" to mean semiconductor products that are compliant with the current EU RoHS requirements for all 10 RoHS substances, including the requirement that RoHS substance do not exceed 0.1% by weight in homogeneous materials. Where designed to be soldered at high temperatures, "RoHS" products are suitable for use in specified lead-free processes. TI may reference these types of products as "Pb-Free".

RoHS Exempt: TI defines "RoHS Exempt" to mean products that contain lead but are compliant with EU RoHS pursuant to a specific EU RoHS exemption.

Green: TI defines "Green" to mean the content of Chlorine (Cl) and Bromine (Br) based flame retardants meet JS709B low halogen requirements of <=1000ppm threshold. Antimony trioxide based flame retardants must also meet the <=1000ppm threshold requirement.

(3) MSL, Peak Temp. - The Moisture Sensitivity Level rating according to the JEDEC industry standard classifications, and peak solder temperature.

(4) There may be additional marking, which relates to the logo, the lot trace code information, or the environmental category on the device.

(5) Multiple Device Markings will be inside parentheses. Only one Device Marking contained in parentheses and separated by a "~" will appear on a device. If a line is indented then it is a continuation of the previous line and the two combined represent the entire Device Marking for that device.

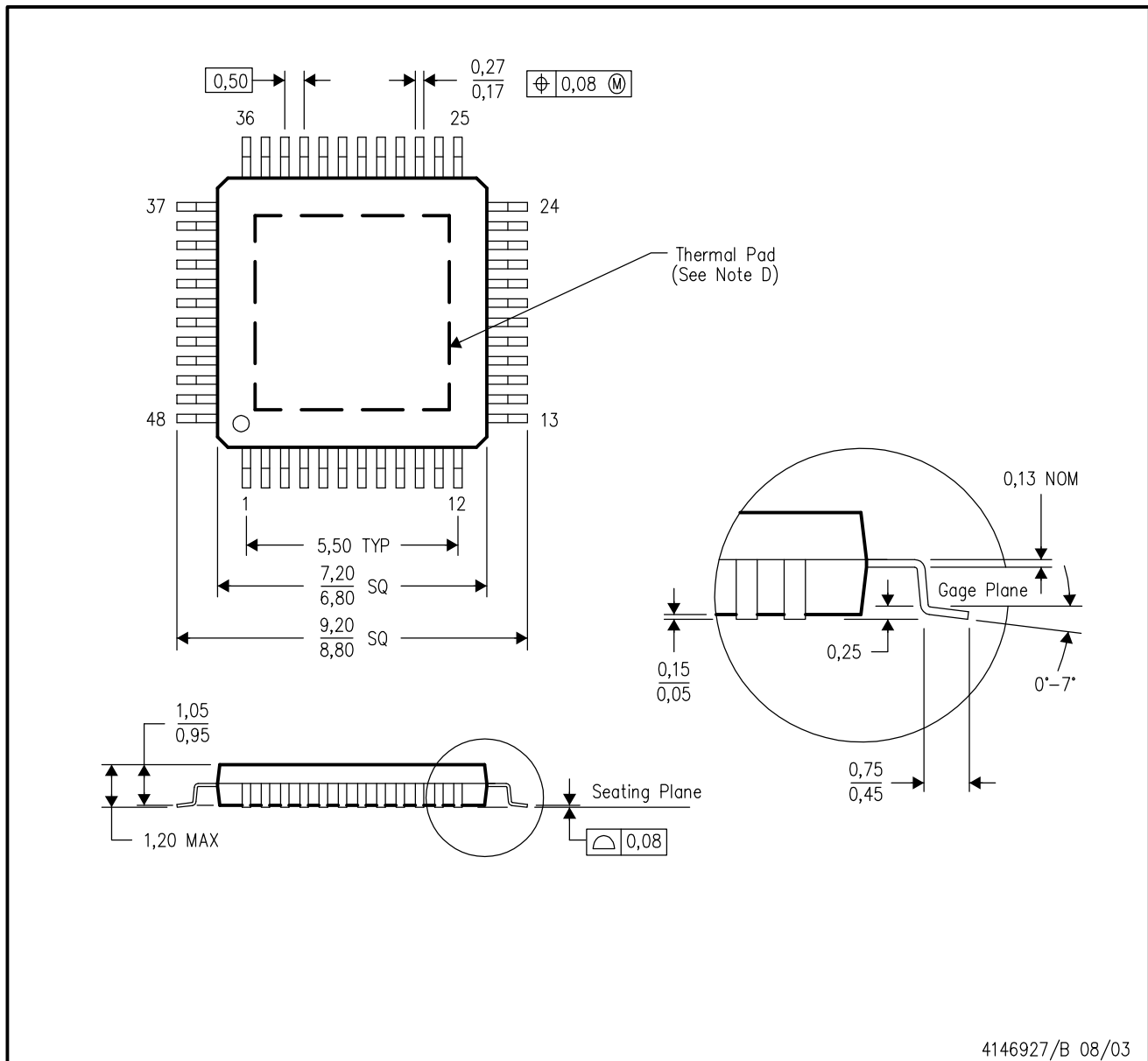
(6) Lead/Ball Finish - Orderable Devices may have multiple material finish options. Finish options are separated by a vertical ruled line. Lead/Ball Finish values may wrap to two lines if the finish value exceeds the maximum column width.

Important Information and Disclaimer:The information provided on this page represents TI's knowledge and belief as of the date that it is provided. TI bases its knowledge and belief on information provided by third parties, and makes no representation or warranty as to the accuracy of such information. Efforts are underway to better integrate information from third parties. TI has taken and continues to take reasonable steps to provide representative and accurate information but may not have conducted destructive testing or chemical analysis on incoming materials and chemicals. TI and TI suppliers consider certain information to be proprietary, and thus CAS numbers and other limited information may not be available for release.

In no event shall TI's liability arising out of such information exceed the total purchase price of the TI part(s) at issue in this document sold by TI to Customer on an annual basis.

PHP (S-PQFP-G48)

PowerPAD™ PLASTIC QUAD FLATPACK



- NOTES:
- All linear dimensions are in millimeters.
 - This drawing is subject to change without notice.
 - Body dimensions do not include mold flash or protrusion.
 - This package is designed to be soldered to a thermal pad on the board. Refer to Technical Brief, PowerPad Thermally Enhanced Package, Texas Instruments Literature No. SLMA002 for information regarding recommended board layout. This document is available at www.ti.com <<http://www.ti.com>>.
 - Falls within JEDEC MS-026

PowerPAD is a trademark of Texas Instruments.

THERMAL PAD MECHANICAL DATA

PHP (S-PQFP-G48)

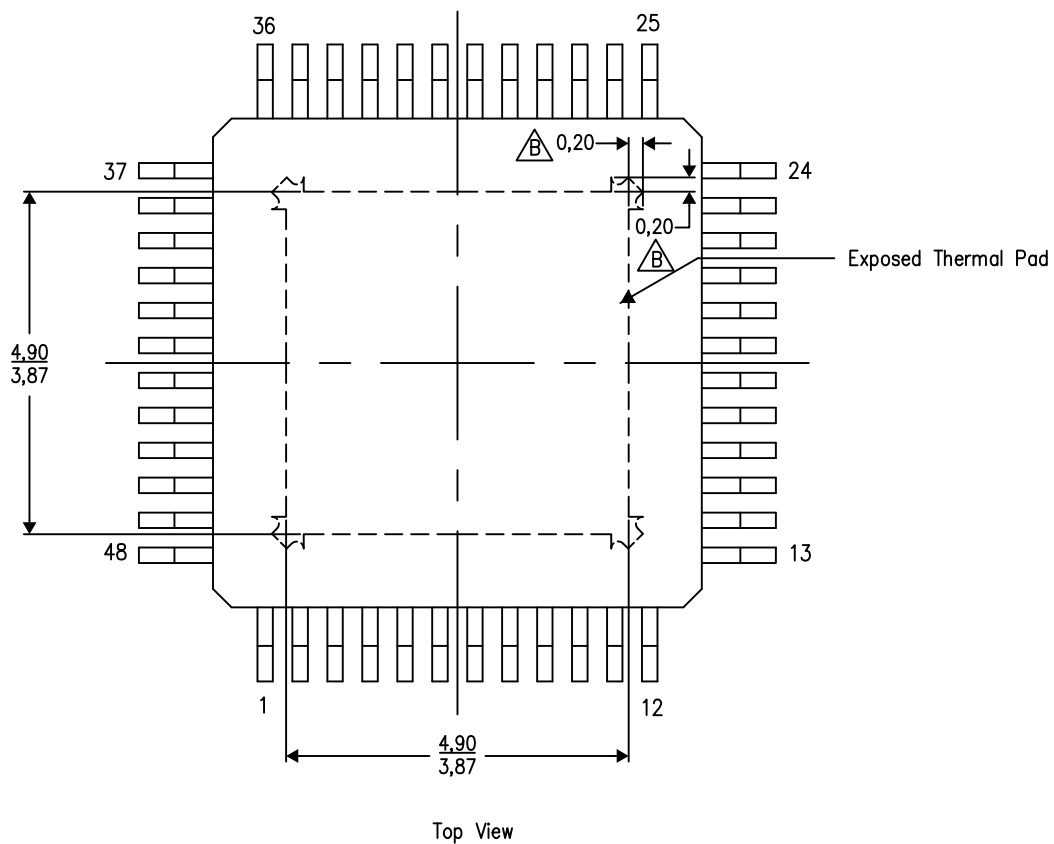
PowerPAD™ PLASTIC QUAD FLATPACK

THERMAL INFORMATION

This PowerPAD™ package incorporates an exposed thermal pad that is designed to be attached to a printed circuit board (PCB). The thermal pad must be soldered directly to the PCB. After soldering, the PCB can be used as a heatsink. In addition, through the use of thermal vias, the thermal pad can be attached directly to the appropriate copper plane shown in the electrical schematic for the device, or alternatively, can be attached to a special heatsink structure designed into the PCB. This design optimizes the heat transfer from the integrated circuit (IC).

For additional information on the PowerPAD package and how to take advantage of its heat dissipating abilities, refer to Technical Brief, PowerPAD Thermally Enhanced Package, Texas Instruments Literature No. SLMA002 and Application Brief, PowerPAD Made Easy, Texas Instruments Literature No. SLMA004. Both documents are available at www.ti.com.


The exposed thermal pad dimensions for this package are shown in the following illustration.



Exposed Thermal Pad Dimensions

4206329-4/P 03/15

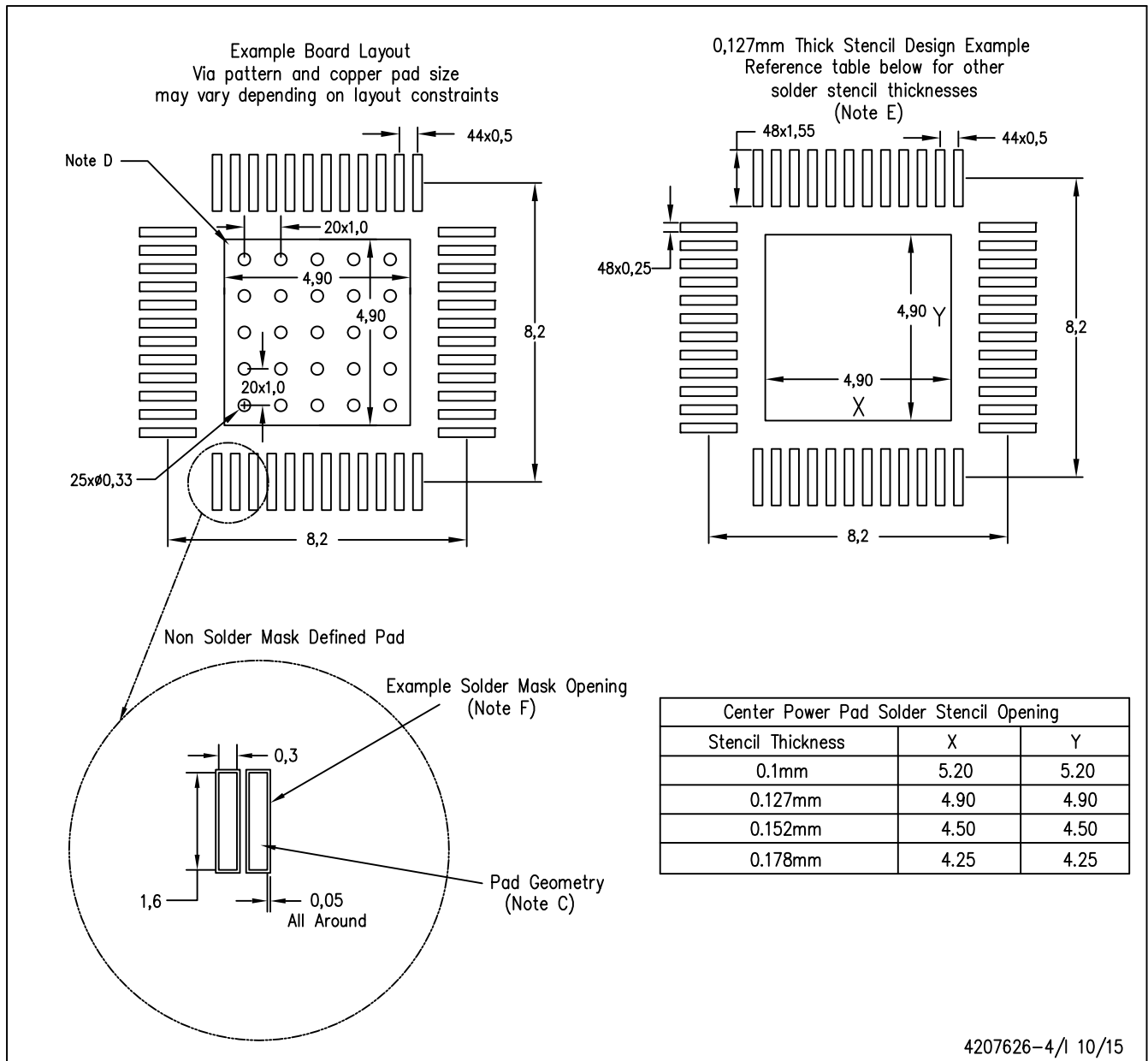
NOTE: A. All linear dimensions are in millimeters

 Tie strap features may not be present.

PowerPAD is a trademark of Texas Instruments

PHP (S-PQFP-G48)

PowerPAD™ PLASTIC QUAD FLATPACK



- NOTES:
- A. All linear dimensions are in millimeters.
 - B. This drawing is subject to change without notice.
 - C. Publication IPC-7351 is recommended for alternate designs.
 - D. This package is designed to be soldered to a thermal pad on the board. Refer to Technical Brief, PowerPAD Thermally Enhanced Package, Texas Instruments Literature No. SLMA002, SLMA004, and also the Product Data Sheets for specific thermal information, via requirements, and recommended board layout. These documents are available at www.ti.com <<http://www.ti.com>>.
 - E. Laser cutting apertures with trapezoidal walls and also rounding corners will offer better paste release. Customers should contact their board assembly site for stencil design recommendations. Refer to IPC 7525 for stencil design considerations.
 - F. Customers should contact their board fabrication site for recommended solder mask tolerances and via tenting options for vias placed in the thermal pad.

PowerPAD is a trademark of Texas Instruments

THERMAL PAD MECHANICAL DATA

PHP (S-PQFP-G48)

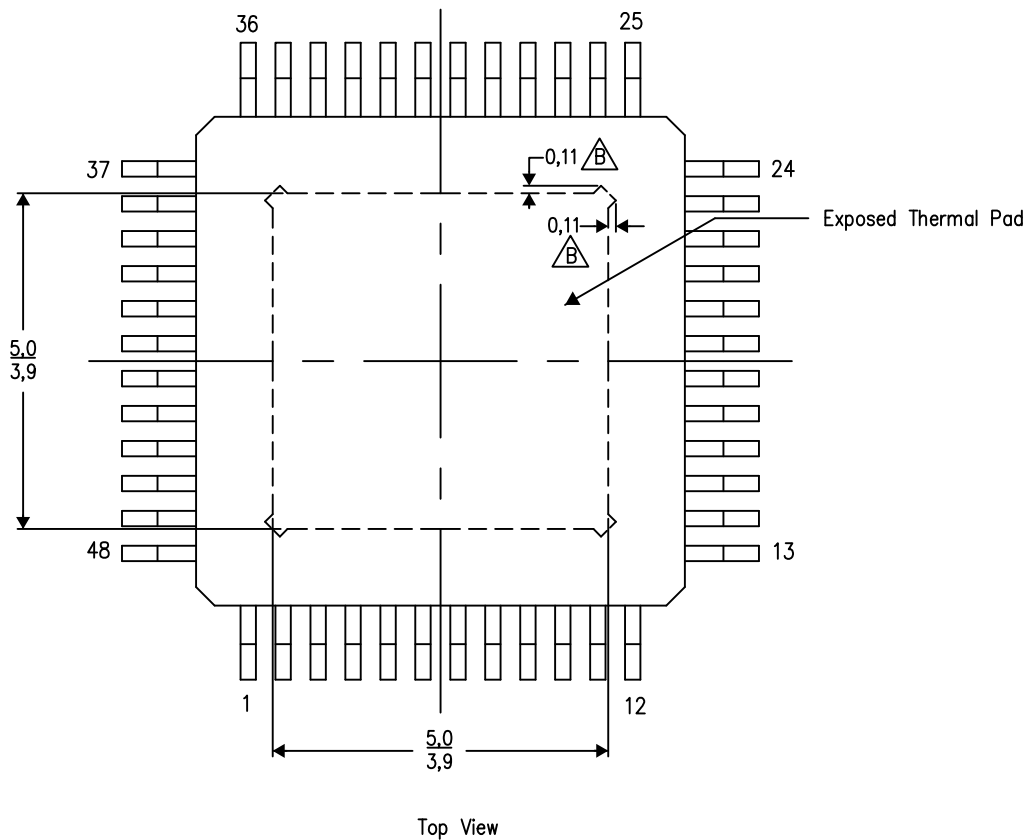
PowerPAD™ PLASTIC QUAD FLATPACK

THERMAL INFORMATION

This PowerPAD™ package incorporates an exposed thermal pad that is designed to be attached to a printed circuit board (PCB). The thermal pad must be soldered directly to the PCB. After soldering, the PCB can be used as a heatsink. In addition, through the use of thermal vias, the thermal pad can be attached directly to the appropriate copper plane shown in the electrical schematic for the device, or alternatively, can be attached to a special heatsink structure designed into the PCB. This design optimizes the heat transfer from the integrated circuit (IC).

For additional information on the PowerPAD package and how to take advantage of its heat dissipating abilities, refer to Technical Brief, PowerPAD Thermally Enhanced Package, Texas Instruments Literature No. SLMA002 and Application Brief, PowerPAD Made Easy, Texas Instruments Literature No. SLMA004. Both documents are available at www.ti.com.


The exposed thermal pad dimensions for this package are shown in the following illustration.



Exposed Thermal Pad Dimensions

4206329-17/P 03/15

NOTE: A. All linear dimensions are in millimeters

 Tie strap features may not be present.

PowerPAD is a trademark of Texas Instruments

IMPORTANT NOTICE AND DISCLAIMER

TI PROVIDES TECHNICAL AND RELIABILITY DATA (INCLUDING DATASHEETS), DESIGN RESOURCES (INCLUDING REFERENCE DESIGNS), APPLICATION OR OTHER DESIGN ADVICE, WEB TOOLS, SAFETY INFORMATION, AND OTHER RESOURCES "AS IS" AND WITH ALL FAULTS, AND DISCLAIMS ALL WARRANTIES, EXPRESS AND IMPLIED, INCLUDING WITHOUT LIMITATION ANY IMPLIED WARRANTIES OF MERCHANTABILITY, FITNESS FOR A PARTICULAR PURPOSE OR NON-INFRINGEMENT OF THIRD PARTY INTELLECTUAL PROPERTY RIGHTS.

These resources are intended for skilled developers designing with TI products. You are solely responsible for (1) selecting the appropriate TI products for your application, (2) designing, validating and testing your application, and (3) ensuring your application meets applicable standards, and any other safety, security, or other requirements. These resources are subject to change without notice. TI grants you permission to use these resources only for development of an application that uses the TI products described in the resource. Other reproduction and display of these resources is prohibited. No license is granted to any other TI intellectual property right or to any third party intellectual property right. TI disclaims responsibility for, and you will fully indemnify TI and its representatives against, any claims, damages, costs, losses, and liabilities arising out of your use of these resources.

TI's products are provided subject to TI's Terms of Sale (www.ti.com/legal/termsofsale.html) or other applicable terms available either on ti.com or provided in conjunction with such TI products. TI's provision of these resources does not expand or otherwise alter TI's applicable warranties or warranty disclaimers for TI products.

Mailing Address: Texas Instruments, Post Office Box 655303, Dallas, Texas 75265
Copyright © 2020, Texas Instruments Incorporated