

ATT3000 Series High-Performance Field-Programmable Gate Arrays (150 MHz, 200 MHz, and 230 MHz)

Features

- High performance—up to 230 MHz toggle rates
- User-programmable gate array
 - I/O functions
 - Digital logic functions
 - Interconnections
- Flexible array architecture
 - Compatible arrays, 2000 to 9000 gate logic complexity
 - Extensive register and I/O capabilities
 - High fan-out signal distribution
 - Internal 3-state bus capabilities
 - TTL or CMOS input thresholds
 - On-chip oscillator amplifier
- Standard product availability
 - Low power, CMOS, static memory technology
 - Pin-for-pin to *Xilinx*[®] XC3000 and XC3100 Family
 - 100% factory pre-tested
 - Selectable configuration modes
- Complete *XACT*[™] development system
 - Schematic Capture
 - Automatic place/route
 - Logic and timing simulation
 - Design editor
 - Library and user macros
 - Timing calculator
 - Standard PROM file interface

DataSheet4U.com

DataShee

sign editor is used for interactive design optimization, and to compile the data pattern which represents the configuration program.

The FPGA's user logic functions and interconnections are determined by the configuration program data stored in internal static memory cells. The program can be loaded in any of several modes to accommodate various system requirements. The program data resides externally in an EEPROM, EPROM or ROM on the application circuit board, or on a floppy disk or hard disk. On-chip initialization logic provides for optional automatic loading of program data at powerup. A serial configuration PROM can provide a very simple serial configuration program storage.

Basic Array	Logic Capacity (usable gates)	Configurable Logic Blocks	User I/Os	Program Data (bits)
ATT3020	2000	64	64	14779
ATT3030	3000	100	80	22176
ATT3042	4200	144	96	30784
ATT3064	6400	224	120	46064
ATT3090	9000	320	144	64160

Description

The CMOS ATT3000 series Field-Programmable Gate Array (FPGA) family provides a group of high-performance, high-density, digital, integrated circuits. Their regular, extendable, flexible, user-programmable array architecture is composed of a configuration program store plus three types of configurable elements: a perimeter of I/O Blocks, a core array of Logic Blocks and resources for interconnection. The general structure of a FPGA is shown in Figure 1 on the next page. The *XACT* development system provides schematic capture and auto place-and-route for design entry. Logic and timing simulation, and in-circuit emulation are available as design verification alternatives. The de-

The ATT3000 series FPGAs are an enhanced family of Field Programmable Gate Arrays, which provide a variety of logic capacities, package styles, temperature ranges and speed grades.

Architecture

The perimeter of configurable I/O Blocks (IOBs) provides a programmable interface between the internal logic array and the device package pins. The array of Configurable Logic Blocks (CLBs) performs user-specified logic functions. The interconnect resources are programmed to form networks, carrying logic signals among blocks, analogous to printed circuit board traces connecting MSI/SSI packages.

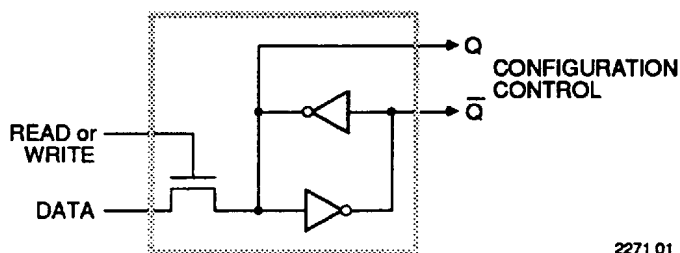
* *Xilinx* and *XACT* are registered trademarks of Xilinx, Inc.

The blocks' logic functions are implemented by programmed look-up tables. Functional options are implemented by program-controlled multiplexers. Interconnecting networks between blocks are implemented with metal segments joined by program-controlled pass transistors. These functions of the FPGA are established by a configuration program which is loaded into an internal, distributed array of configuration memory cells. The configuration program is loaded into the FPGA at powerup and may be reloaded on command. The FPGA includes logic and control signals to implement automatic or passive configuration. Program data may be either bit serial or byte parallel. The XACT development system generates the configuration program bit-stream used to configure the FPGA. The memory loading process is independent of the user logic functions.

Configuration Memory

The static memory cell used for the configuration memory in the FPGA has been designed specifically for high reliability and noise immunity. Integrity of the FPGA configuration memory based on this design is assured even under various adverse conditions. Com-

pared with other programming alternatives, static memory is believed to provide the best combination of high density, high performance, high reliability and comprehensive testability. As shown in Figure 2, the basic memory cell consists of two CMOS inverters plus a pass transistor used for writing and reading cell data. The cell is only written during configuration and only read during readback. During normal operation the cell provides continuous control and the pass transistor is "off" and does not affect cell stability. This is quite different from the operation of conventional memory devices, in which the cells are frequently read and re-written.



2271 01

Figure 2. A static configuration memory cell is loaded with one bit of configuration program and controls one program selection in the FPGA.

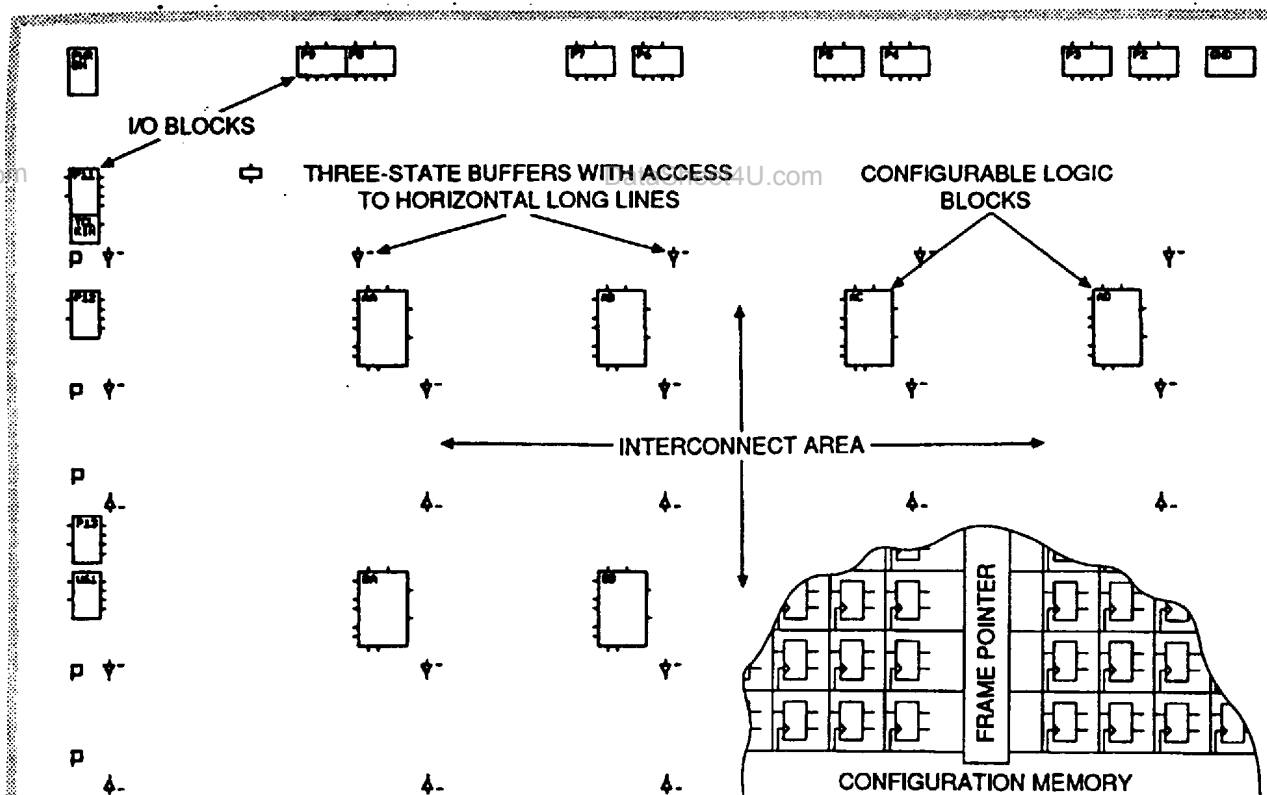


Figure 1. The structure of the Field-Programmable Gate Array consists of a perimeter of programmable I/O blocks, a core of configurable logic blocks and their interconnect resources. These are all controlled by the distributed array of configuration program memory cells.

The memory cell outputs Q and \bar{Q} use full Ground and V_{cc} levels and provide continuous, direct control. The additional capacitive load together with the absence of address decoding and sense amplifiers provide high stability to the cell. Due to the structure of the configuration memory cells, they are not affected by extreme power supply excursions or very high levels of alpha particle radiation. In reliability testing no soft errors have been observed, even in the presence of very high doses of alpha radiation.

The method of loading the configuration data is selectable. Two methods use serial data, while three use byte wide data. The internal configuration logic utilizes framing information, embedded in the program data by the *XACT* development system, to direct mem-

ory cell loading. The serial data framing and length count preamble provide programming compatibility for mixes of various AT&T programmable gate arrays in a synchronous, serial, daisy-chain fashion.

I/O Block

Each user-configurable I/O Block (IOB), shown in Figure 3, provides an interface between the external package pin of the device and the internal user logic. Each IOB includes both registered and direct input paths. Each IOB provides a programmable 3-state output buffer which may be driven by a registered or direct output signal. Configuration options allow each IOB an inversion, a controlled slew rate and a high impedance pull-up. Each input circuit also provides input

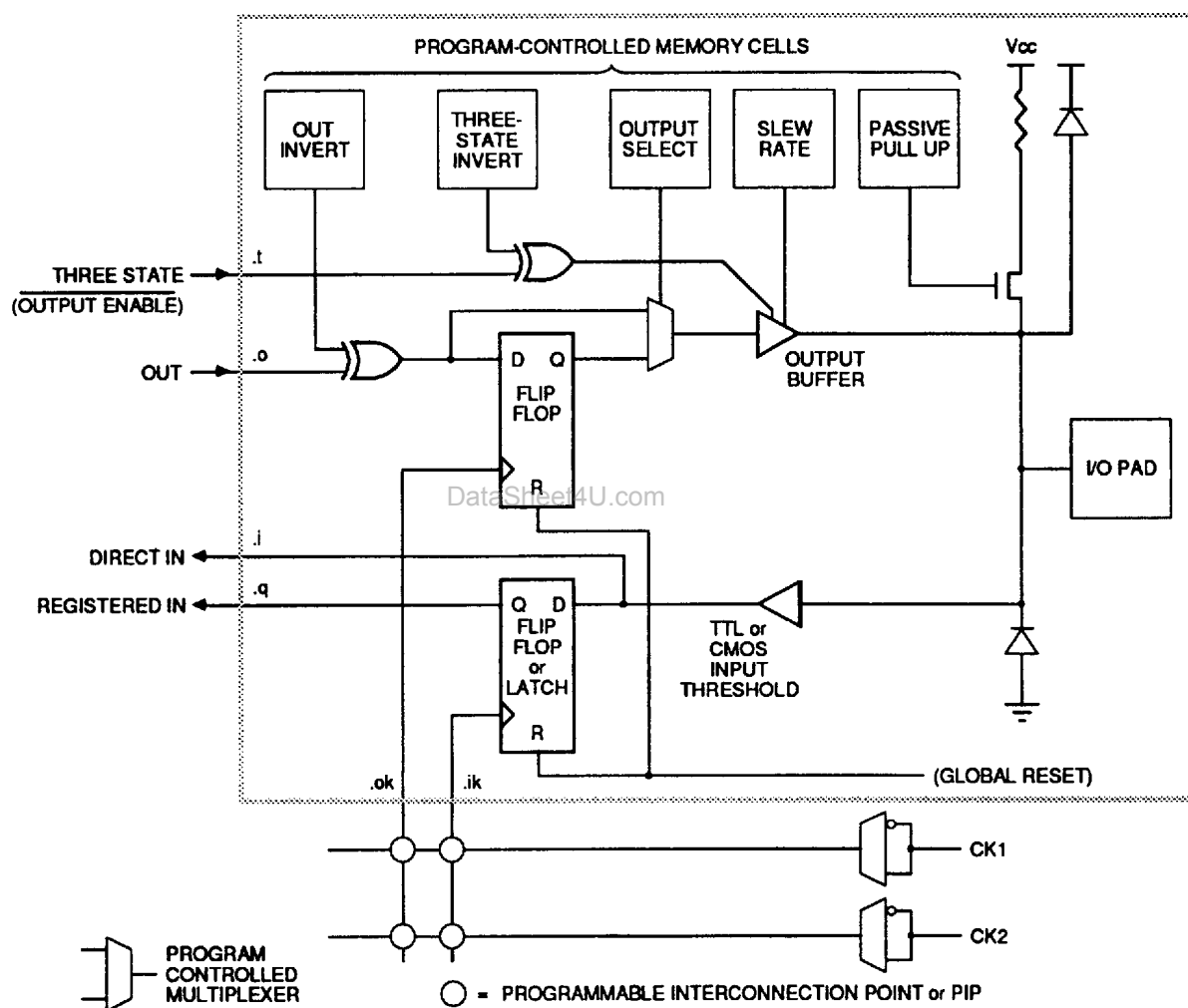


Figure 3. The Input/Output Block includes input and output storage elements and I/O options selected by configuration memory cells. A choice of two clocks is available on each die edge. The polarity of each clock line (not each flip-flop or latch) is programmable. A clock line that triggers the flip-flop on the rising edge is an active Low Latch Enable (Latch transparent) signal and vice versa. Passive Pull-up can only be enabled on inputs, not on outputs. All user inputs are programmed for TTL or CMOS thresholds.

clamping diodes to provide electro-static protection, and circuits to inhibit latch-up produced by input currents.

The input buffer portion of each I/O Block provides threshold detection to translate external signals applied to the package pin to internal logic levels. The global input-buffer threshold of the I/O Blocks can be programmed to be compatible with either TTL or CMOS levels. The buffered input signal drives the data input of a storage element which may be configured as a positive edge-triggered "D" flip-flop or a low level-transparent latch. The sense of the clock can be inverted (negative edge/high transparent) as long as all IOBs on the same clock net use the same clock sense. Clock/load signals (I/O Block pins *.ik* and *.ok*) can be selected from either of two die edge metal lines. I/O storage elements are reset during configuration or by the active low chip RESET input. Both direct input [from I/O Block pin *.i*] and registered input [from I/O Block pin *.q*] signals are available for interconnect.

For reliable operation inputs should have transition times of less than 100 ns and should not be left floating. Floating CMOS input-pin circuits might be at threshold and produce oscillations. This can produce additional power dissipation and system noise. A typical hysteresis of about 200 mV reduces sensitivity to input noise. Each user I/O Block includes a programmable high impedance pull-up resistor which may be selected by the program to provide a constant HIGH for otherwise undriven package pins. Although the FPGA provides circuitry to provide input protection for electrostatic discharge, normal CMOS handling precautions should be observed.

Flip-flop loop delays for the I/O Block and logic block flip-flops are about 3 ns. This short delay provides good performance under asynchronous clock and data conditions. Short loop delays minimize the probability of a metastable condition which can result from assertion of the clock during data transitions. Because of the short loop delay characteristic in the FPGA, the I/O Block flip-flops can be used to synchronize external signals applied to the device. Once synchronized in the I/O Block, the signals can be used internally without further consideration of their clock relative timing, except as it applies to the internal logic and routing path delays.

Output buffers of the I/O Blocks provide CMOS-compatible 4 mA source-or-sink drive for high fan-out CMOS or TTL compatible signal levels. The network

driving I/O Block pin *.o* becomes the registered or direct data source for the output buffer. The 3-state control signal [I/O Block pin *.f*] can control output activity. An open-drain type output may be obtained by using the same signal for driving the output and 3-state signal nets so that the buffer output is enabled only for a LOW.

Configuration program bits for each I/O Block control features such as optional output register, logical signal inversion, and three-state and slew rate control of the output.

The program-controlled memory cells of Figure 3 control the following options:

- **Logical Inversion of the output** is controlled by one configuration program bit per I/O Block.
- **Logical 3-state control** of each I/O Block output buffer is determined by the states of configuration program bits which turn the buffer on, or off, or select the output buffer 3-state control interconnection [I/O Block pin *.f*]. When this I/O Block output control signal is HIGH, a logic "1", the buffer is **disabled** and the package pin is high impedance. When this I/O block output control signal is LOW, a logic "0", the buffer is **enabled** and the package pin is active. Inversion of the buffer 3-state control logic sense (output enable) is controlled by an additional configuration program bit.
- **Direct or registered output** is selectable for each I/O block. The register uses a positive-edge, clocked flip-flop. The clock source may be supplied [I/O Block pin *.ok*] by either of two metal lines available along each die edge. Each of these lines is driven by an invertible buffer.
- **Increased output transition speed** can be selected to improve critical timing. Slower transitions reduce capacitive load peak currents of non-critical outputs and minimize system noise.
- A high impedance **pull-up resistor** may be used to prevent unused inputs from floating.

Summary of I/O Options

- Inputs
 - Direct
 - Flip-flop/latch
 - CMOS/TTL threshold (chip inputs)
 - Pull-up resistor/open circuit

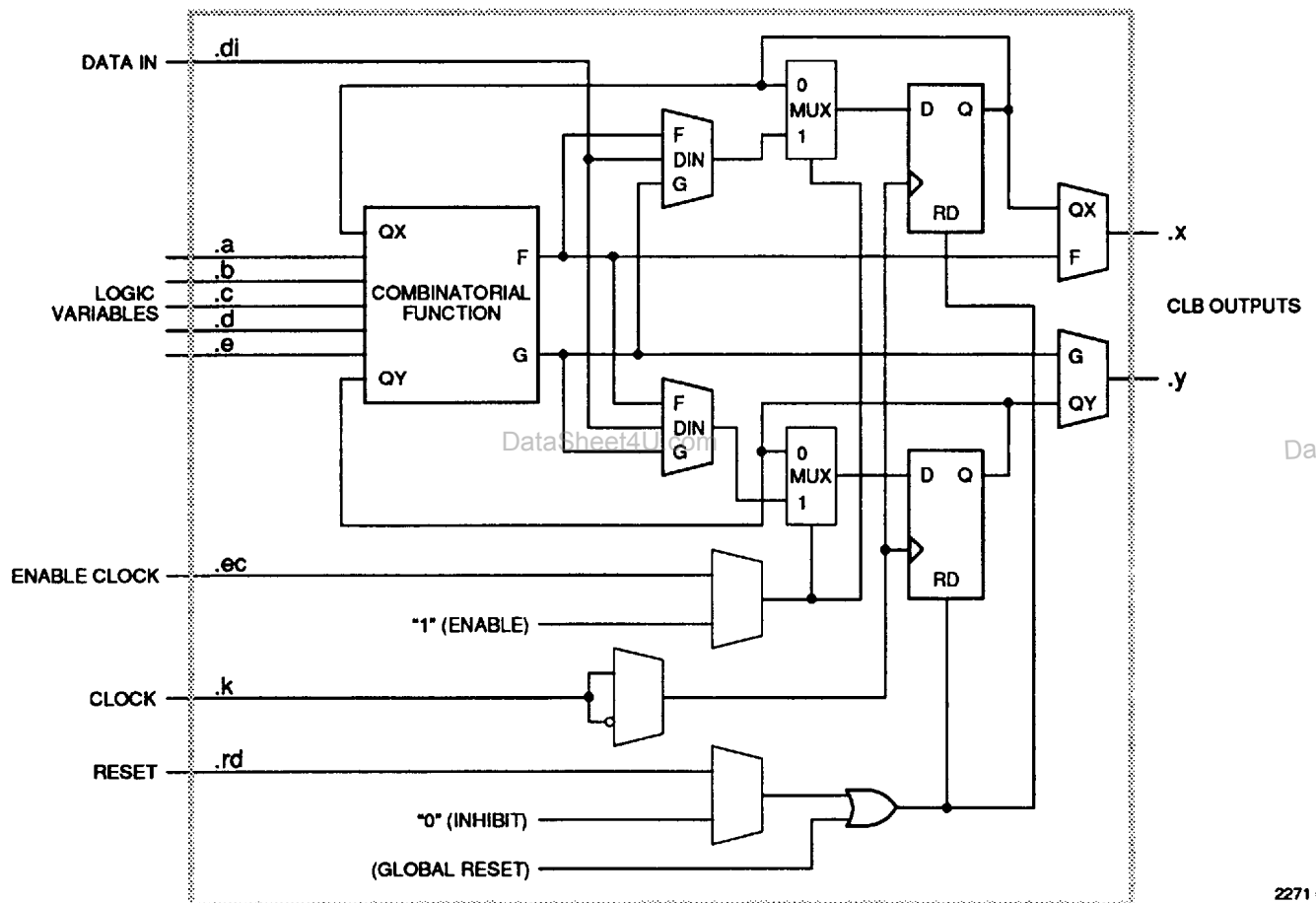
- Outputs
 - Direct/registered
 - Inverted/not
 - 3-state/on/off
 - Full speed/slew limited
 - 3-state/output enable (inverse)

Configurable Logic Block

The array of Configurable Logic Blocks (CLBs) provides the functional elements from which the user's logic is constructed. The logic blocks are arranged in a matrix within the perimeter of I/O Blocks. The ATT3020 has 64 such blocks arranged in 8 rows and 8 columns. The XACT development system is used to compile the configuration data which are to be loaded

into the internal configuration memory to define the operation and interconnection of each block. User definition of configurable logic blocks and their interconnecting networks may be done by automatic translation from a schematic capture logic diagram or optionally by installing library or user macros.

Each configurable logic block has a combinatorial logic section, two flip-flops, and an internal control section. See Figure 4. There are: five logic inputs [.a, .b, .c, .d and .e]; a common clock input [.k]; an asynchronous direct reset input [.rd]; and an enable clock [.ec]. All may be driven from the interconnect resources adjacent to the blocks. Each CLB also has two outputs [.x and .y] which may drive interconnect networks.



2271 03

Figure 4. Each Configurable Logic Block includes a combinatorial logic section, two flip-flops and a program memory controlled multiplexer selection of function. It has: five logic variable inputs .a, .b, .c, .d and .e.

a direct data in .di
 an enable clock .ec
 a clock (invertible) .k
 an asynchronous reset .rd
 two outputs .x and .y

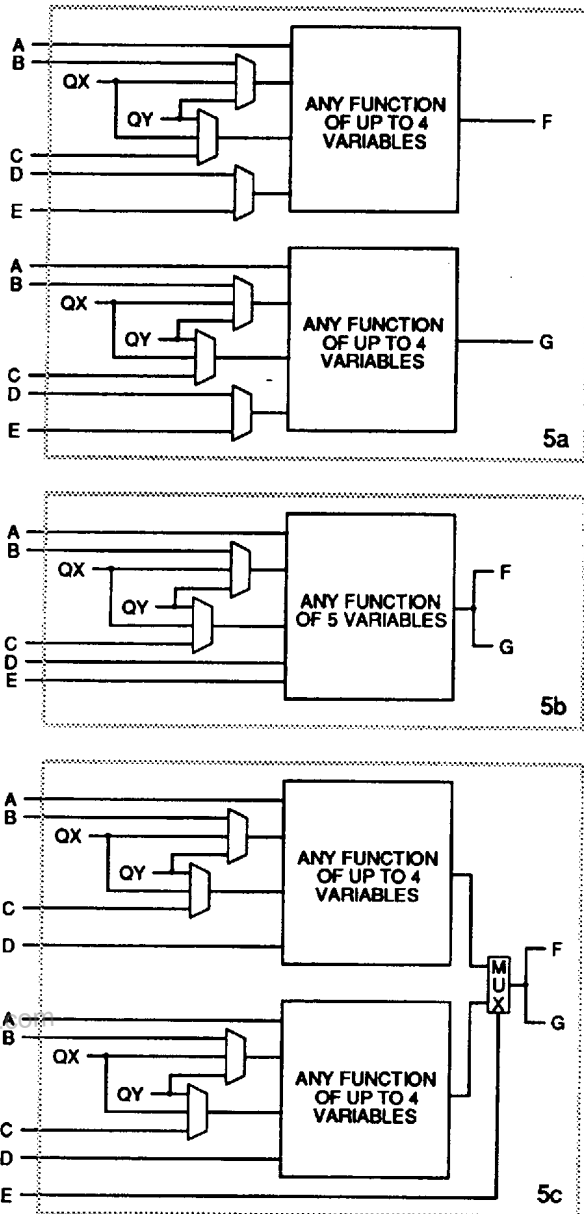
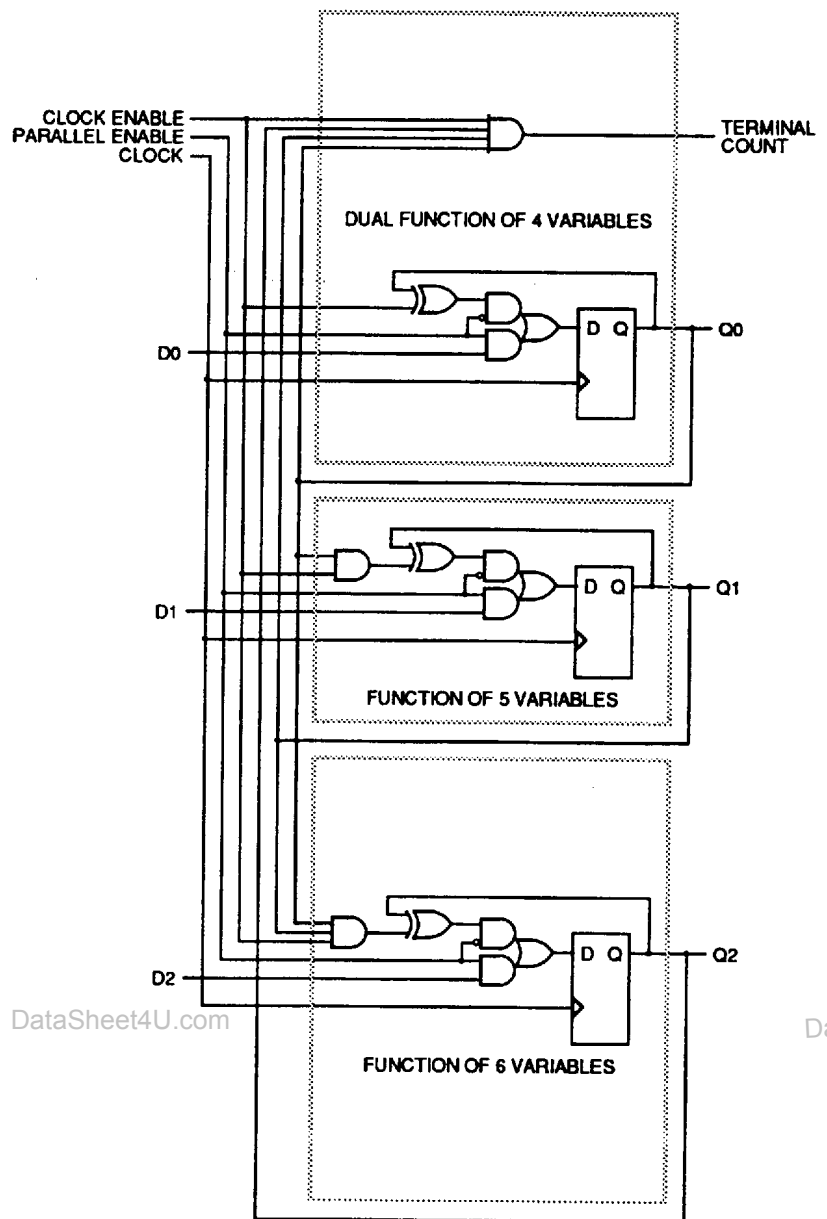


Figure 5

2271 04

- 5a. Combinatorial Logic Option 1 generates two functions of four variables each. One variable, A, must be common to both functions. The second and third variable can be any choice of B, C, Qx and Qy. The fourth variable can be any choice of D or E.
- 5b. Combinatorial Logic Option 2 generates any function of five variables: A, D, E and two choices out of B, C, Qx, Qy.
- 5c. Combinatorial Logic Option 3 allows variable E to select between two functions of four variables: Both have common inputs A and D and any choice out of B, C, Qx and Qy for the remaining two variables. Option 3 can then implement some functions of six or seven variables.

6



DataSheet4U.com

DataSheet4U.com

Figure 6. The C8BCP macro (modulo 8 binary counter with parallel enable and clock enable) uses one combinatorial logic block of each option.

2271 05

Data input for either flip-flop within a CLB is supplied from the function F or G outputs of the combinatorial logic, or the block input, data-in [.di]. Both flip-flops in each CLB share the asynchronous reset [.rd] which, when enabled and HIGH, is dominant over clocked inputs. All flip-flops are reset by the active-low chip input, RESET, or during the configuration process. The flip-flops share the enable clock [.ec] which, when LOW, recirculates the flip-flops' present states and inhibits response to the data-in or combinatorial function inputs on a CLB. The user may enable these control inputs and select their sources. The user may also select the clock net input [.k], as well as its active sense within each logic block. This programmable inversion eliminates the need to route both phases of a clock signal throughout the device. Flexible routing allows use of common or individual CLB clocking.

The combinatorial logic portion of the logic block uses a 32 by 1 look-up table to implement Boolean functions. Variables selected from the five logic inputs and two internal block flip-flops are used as table address inputs. The combinatorial propagation delay through the network is independent of the logic function generated and is spike free for single input variable changes. This technique can generate two independent logic functions of up to four variables each as shown in Figure 5a, or a single function of five variables as shown in Figure 5b, or some functions of seven variables as shown in Figure 5c. Figure 6 shows a modulo 8 binary counter with parallel enable. It uses one CLB of each type. The partial functions of six or seven variables are implemented using the input variable [.e] to dynamically select between two functions of four different variables. For the two functions of four variables each, the independent results (F and G) may be used as data inputs to either flip-flop or either logic block output. For the single function of five variables and merged functions of six or seven variables, the F and G outputs are identical. Symmetry of the F and G functions and the flip-flops allows the interchange of CLB outputs to optimize routing efficiencies of the networks interconnecting the logic blocks and I/O Blocks.

Programmable Interconnect

Programmable Interconnection resources in the FPGA provide routing paths to connect inputs and outputs of the I/O and logic blocks into logical networks. Interconnections between blocks are composed from a two-layer grid of metal segments. Specially designed pass transistors, each controlled by a configuration bit, form programmable interconnect points (PIPs) and switching matrices used to implement the necessary

connections between selected metal segments and block pins. Figure 7 is an example of a routed net. The XACT development system provides automatic routing of these interconnections. Interactive routing (Editnet) is also available for design optimization. The inputs of the logic or I/O Blocks are multiplexers which can be programmed to select an input network from the adjacent interconnect segments. **As the switch connections to block inputs are unidirectional (as are block outputs) they are usable only for block input connection and not routing.** Figure 8 illustrates routing access to logic block input variables, control inputs and block outputs. Three types of metal resources are provided to accommodate various network interconnect requirements:

- General Purpose Interconnect
- Direct Connection
- Long Lines (multiplexed busses and wide AND gates)

General Purpose Interconnect

General purpose interconnect, as shown in Figure 9, consists of a grid of five horizontal and five vertical metal segments located between the rows and columns of logic and I/O Blocks. Each segment is the "height" or "width" of a logic block. Switching matrices join the ends of these segments and allow pro-

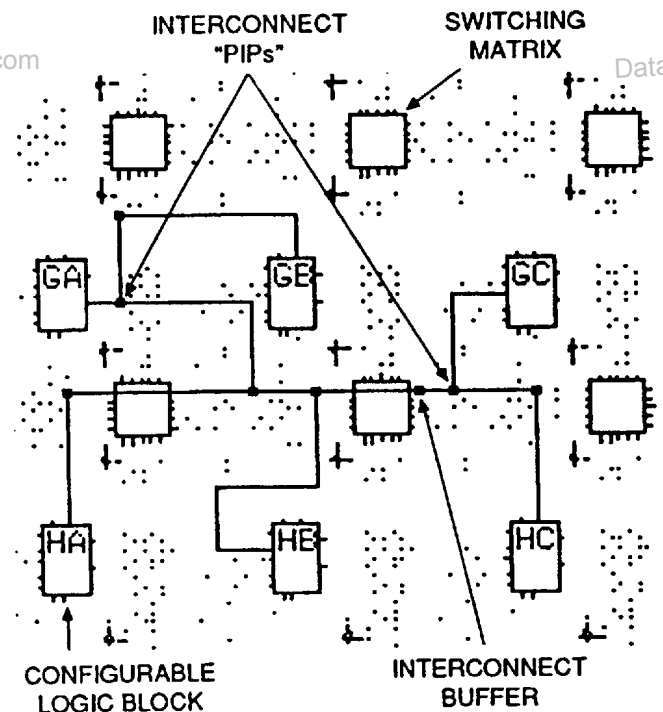


Figure 7. An XACT view of routing resources used to form a typical interconnection network from CLB GA.

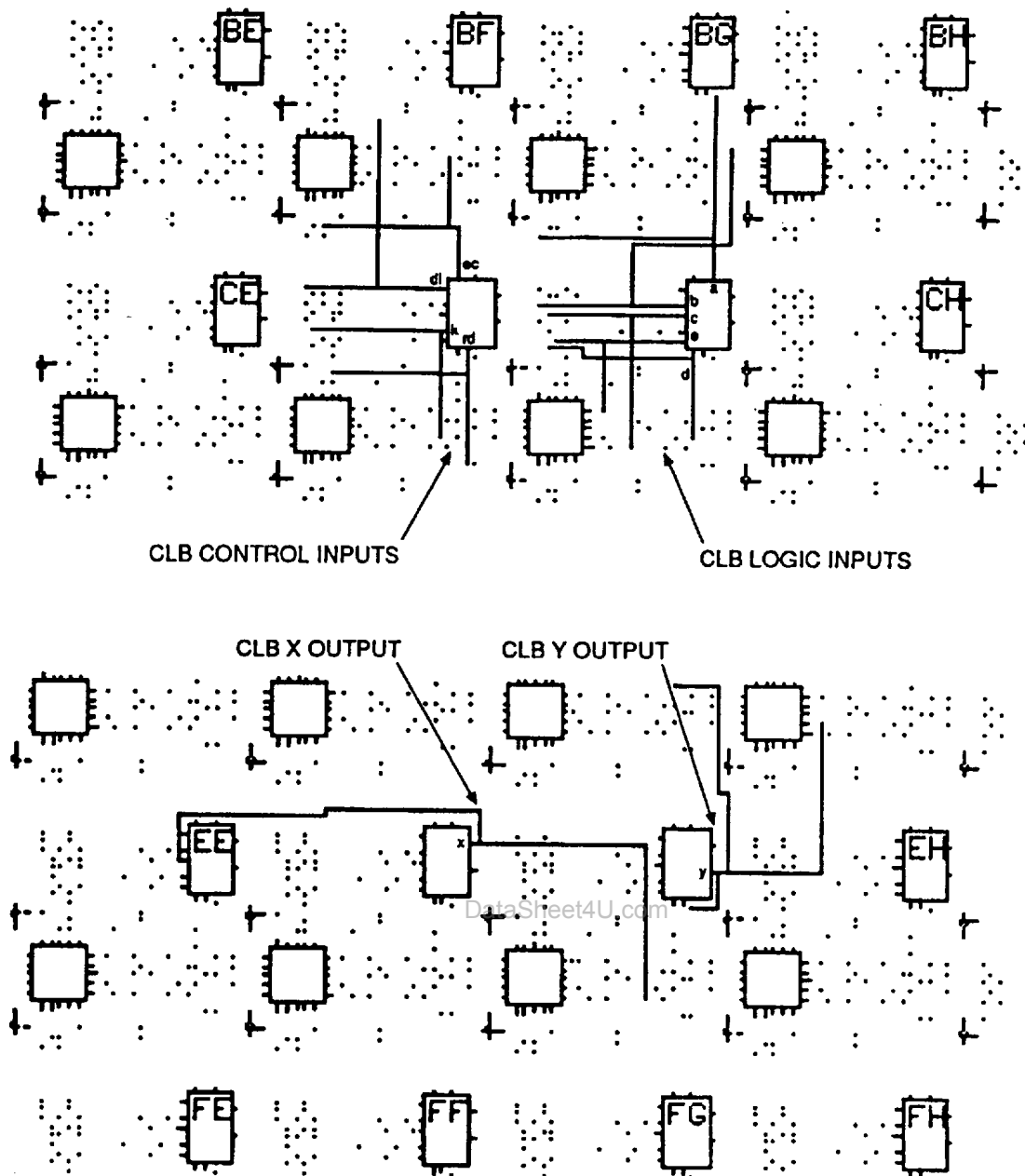


Figure 8. The AT&T XACT Development System view of the locations of interconnect access, CLB control inputs, logic inputs and outputs. The dot pattern represents the available programmable interconnection points (PIPs).

Some of the interconnect "PIPs" are directional. This is indicated on the XACT design editor status line:

- ND is a nondirectional interconnection.
- D:H->V is a PIP which drives from a horizontal to a vertical line.
- D:V->H is a PIP which drives from a vertical to a horizontal line.
- D:C->T is a "T" PIP which drives from a cross of a T to the tail.
- D:CW is a corner PIP which drives in the clockwise direction.
- P0 indicates the PIP is non-conducting , P1 is "on."

grammed interconnections between the metal grid segments of adjoining rows and columns. The switches of an unprogrammed device are all nonconducting. The connections through the switch matrix may be established by the automatic routing or by using "Editnet" to select the desired pairs of matrix pins to be connected or disconnected. The legitimate switching matrix combinations for each pin are indicated in Figure 10 and may be highlighted by the use of the show matrix command in *XACT*.

Special buffers within the general interconnect areas provide periodic signal isolation and restoration for improved performance of lengthy nets. The interconnect buffers are available to propagate signals in either direction on a given general interconnect segment. These bidirectional (bidi) buffers are found adjacent to the switching matrices, above and to the right and may be highlighted by the use of the "Show BIDI" command in *XACT*. The other PIPs adjacent to the matrices are access to or from long lines. The development system automatically defines the buffer direction based on the location of the interconnection network source. The delay calculator of the *XACT* development system automatically calculates and displays the block, interconnect and buffer delays for any paths selected. Generation of the simulation netlist with a worst-case delay model is provided by an *XACT* option.

Direct Interconnect

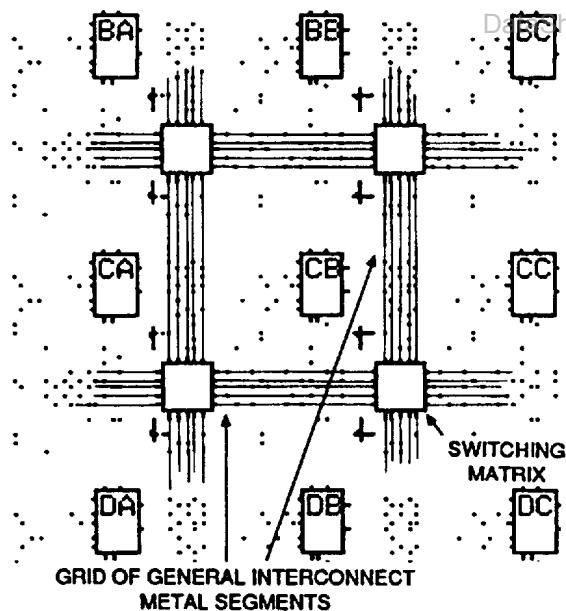


Figure 9. FPGA general-purpose interconnect is composed of a grid of metal segments which may be interconnected through switch matrices to form networks for CLB and I/O block inputs and outputs.

Direct interconnect, shown in Figure 11, provides the most efficient implementation of networks between adjacent logic or I/O Blocks. Signals routed from block to block using the direct interconnect exhibit minimum

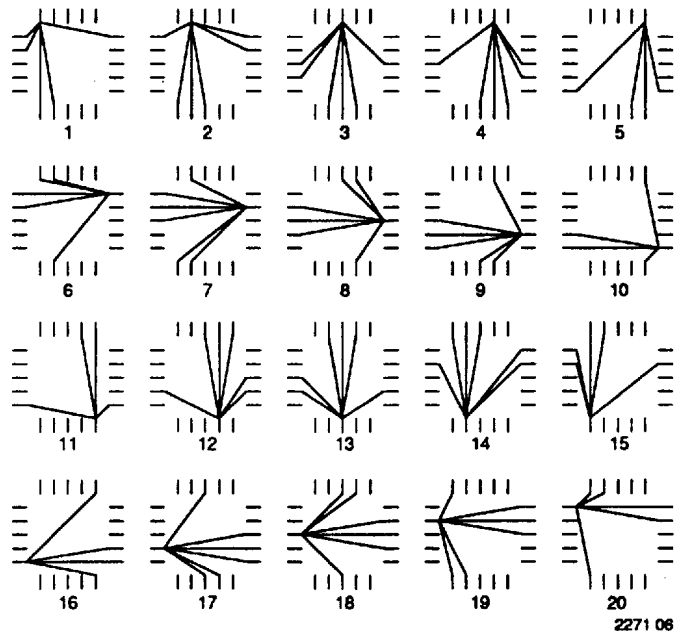


Figure 10. Switch matrix interconnection options for each "pin." Switch matrices on the edges are different. Use "Show Matrix" menu option in *XACT*.

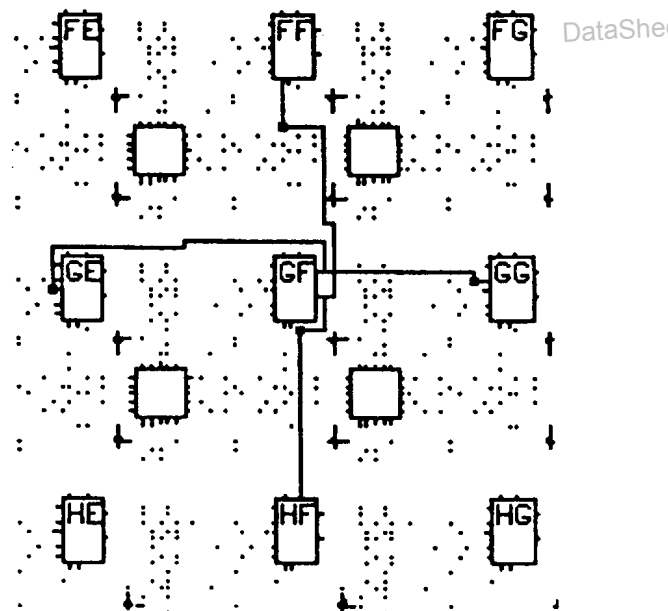


Figure 11. The .x and .y outputs of each CLB have single contact, direct access to inputs of adjacent CLBs.

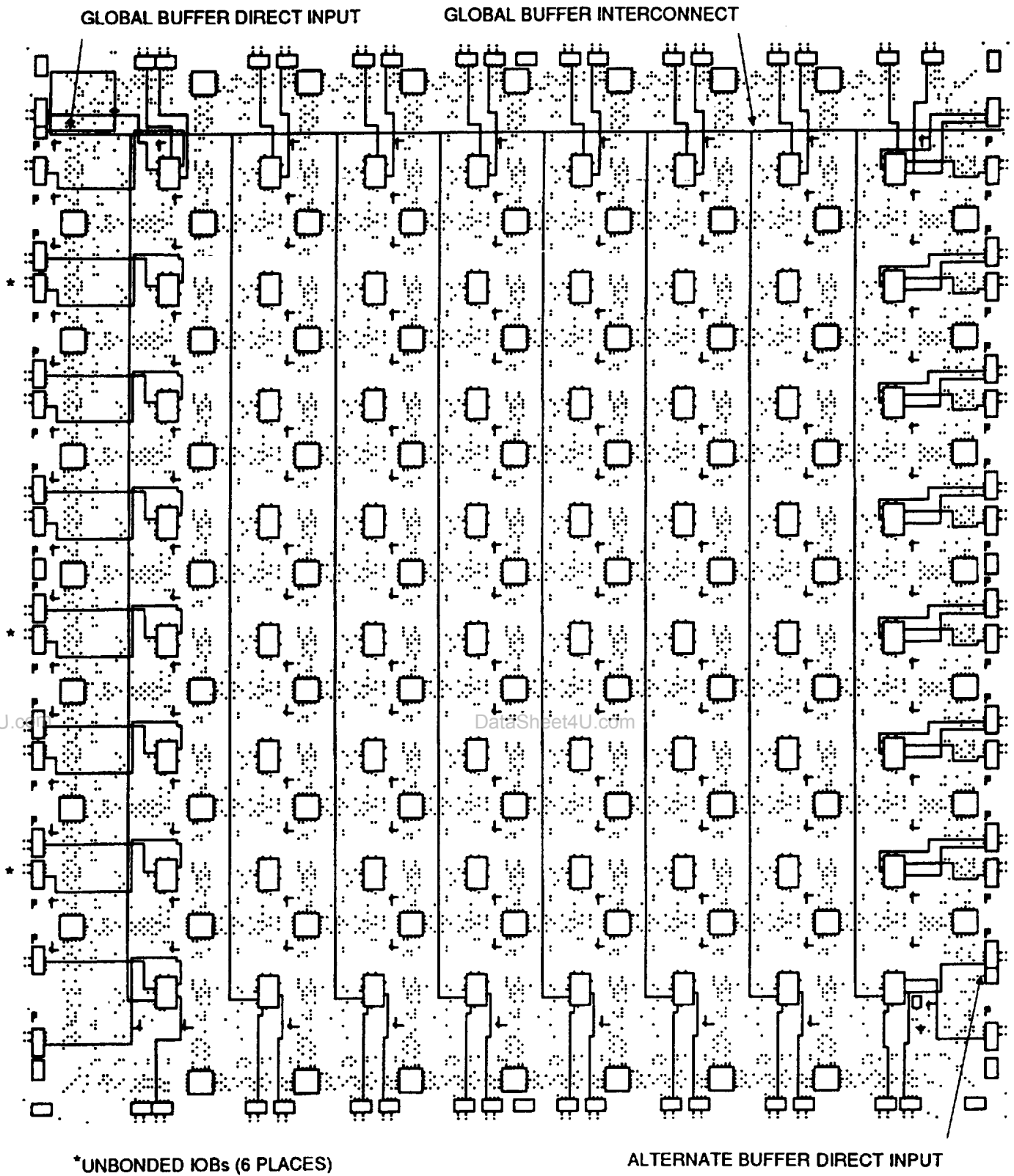


Figure 12. ATT3020 die edge I/O blocks are provided with direct access to adjacent CLBs.

interconnect propagation and use no general interconnect resources. For each Configurable Logic Block, the .x output may be connected directly to the .b input of the CLB immediately to its right and to the .c input of the CLB to its left. The .y output can use direct interconnect to drive the .d input of the block immediately above and the .a input of the block below. Direct interconnect should be used to maximize the speed of high performance portions of logic. Where logic blocks are adjacent to I/O Blocks, direct connect is provided alternately to the I/O Block inputs [.i] and outputs [.o] on all four edges of the die. The right edge provides additional direct connects from CLB outputs to adjacent IOBs. Direct interconnections of I/O Blocks with CLBs are shown in Figure 12.

Long Lines

The long lines bypass the switch matrices and are intended primarily for signals which must travel a long distance, or must have minimum skew among multiple destinations. Long Lines, shown in Figure 13, run vertically and horizontally the height or width of the interconnect area. Each interconnection column has three vertical long lines, and each interconnection row has two horizontal long lines. An additional two long lines are located adjacent to the outer sets of switching matrices. Two vertical long lines in each column are connectible half-length lines, except on the ATT3020, where only the outer long lines serve that function.

Long lines can be driven by a logic block or I/O block output on a column by column basis. This capability provides a common low skew control or clock line within each column of logic blocks. Interconnections of these long lines are shown in Figure 14. Isolation buffers are provided at each input to a long line and are enabled automatically by the development system when a connection is made.

A buffer in the upper left corner of the FPGA chip drives a global net which is available to all .k inputs of logic blocks. Using the global buffer for a clock signal provides a skew-free, high fan-out, synchronized clock for use at any or all of the I/O and logic blocks. Configuration bits for the .k input to each logic block can select this global line or another routing resource as the clock source for its flip-flops. This net may also be programmed to drive the die edge clock lines for I/O Block use. An enhanced speed, CMOS threshold, direct access to this buffer is available at the second pad from the top of the left die edge.

A buffer in the lower right corner of the array drives a horizontal long line that can drive programmed connections to a vertical long line in each interconnection column. This alternate buffer also has low skew and high fan-out. The network formed by this alternate buffer's long lines can be selected to drive the .k inputs of the logic blocks. CMOS threshold, high speed access to this buffer is available from the third pad from the bottom of the right die edge.

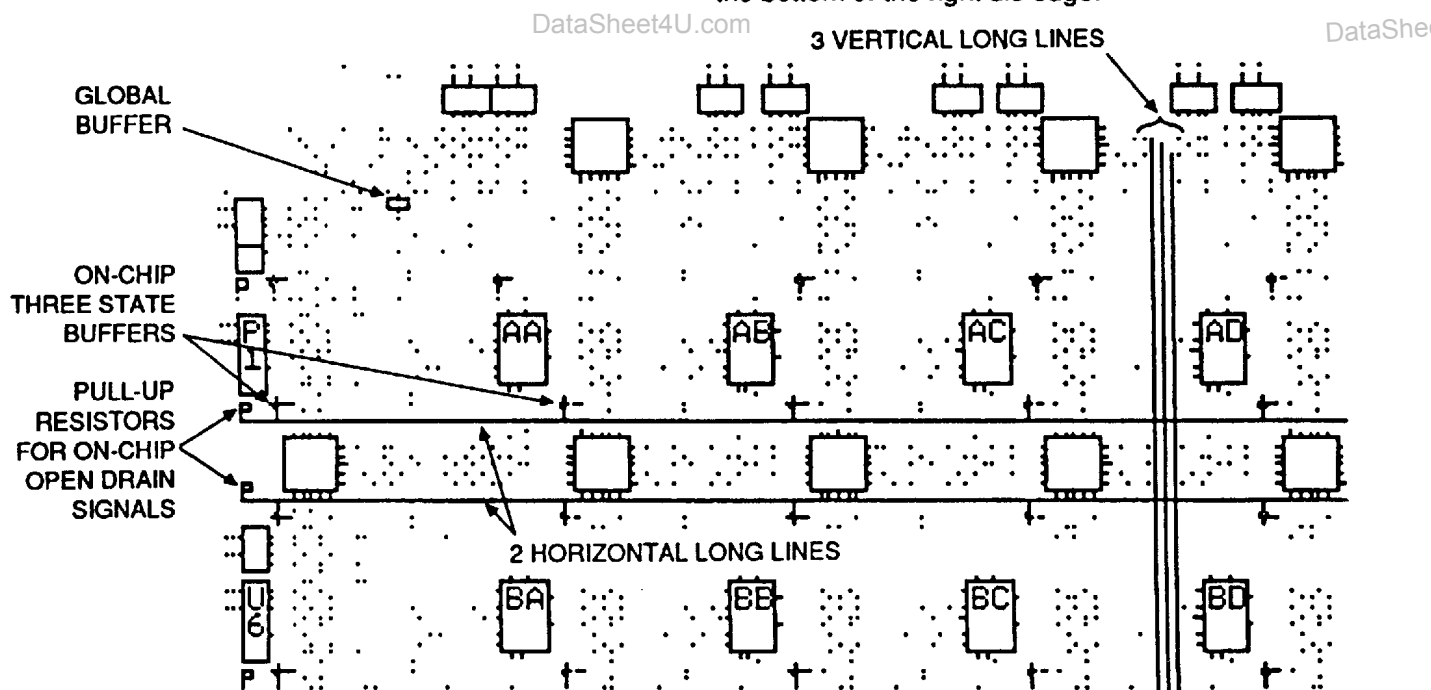


Figure 13. Horizontal and vertical long lines provide high fan-out, low-skew signal distribution in each row and column. The global buffer in the upper left die corner drives a common line throughout the FPGA.

Internal Busses

A pair of 3-state buffers is located adjacent to each configurable logic block. These buffers allow logic to drive the horizontal long lines. Logical operation of the 3-state buffer controls allows them to implement wide multiplexing functions. Any 3-state buffer input can be selected as drive for the horizontal long line bus by applying a low logic level on its 3-state control line (see Figure 15a). The user is required to avoid contention which can result from multiple drivers with opposing logic levels. Control of the 3-state input by the same signal that drives the buffer input, creates an 'open drain' wired-AND function. A logical HIGH on both buffer inputs creates a high impedance which represents no contention. A logical LOW enables the buffer to drive the long line low (see Figure 15b). Pull-up resistors are available at each end of the long line to provide a HIGH output when all connected buffers are non-conducting. This forms fast, wide gating functions. When data drives the inputs, and separate signals drive the 3-state control lines, these buffers form multiplexers (3-state buses). In this case, care must be used to prevent contention through multiple active buffers of conflicting levels on a common line. Figure 16 shows 3-state buffers, long lines and pull-up resistors.

Crystal Oscillator

Figure 16 also shows the location of an internal high speed inverting amplifier which may be used to implement an on-chip crystal oscillator. It is associated with the auxiliary buffer in the lower right corner of the die. When the oscillator is configured by "MAKEBITS" and connected as a signal source, two special user I/O Blocks are also configured to connect the oscillator amplifier with external crystal oscillator components as shown in Figure 17. A divide by two option is available to assure symmetry. The oscillator circuit becomes active before configuration is complete in order to allow the oscillator to stabilize. Actual internal connection is delayed until completion of configuration. In Figure 17, the feedback resistor, R1, between output and input biases the amplifier at threshold. The value should be as large as practical to minimize loading of the crystal. The inversion of the amplifier, together with the R-C networks and an AT cut series resonant crystal, produce the 360 degree phase shift of the Pierce oscillator. A series resistor, R2, may be included to add to the amplifier output impedance when needed for phase shift control, crystal resistance matching, or to limit the amplifier input swing to control clipping at large amplitudes. Excess feedback voltage may be corrected by the ratio of C2/C1. The amplifier

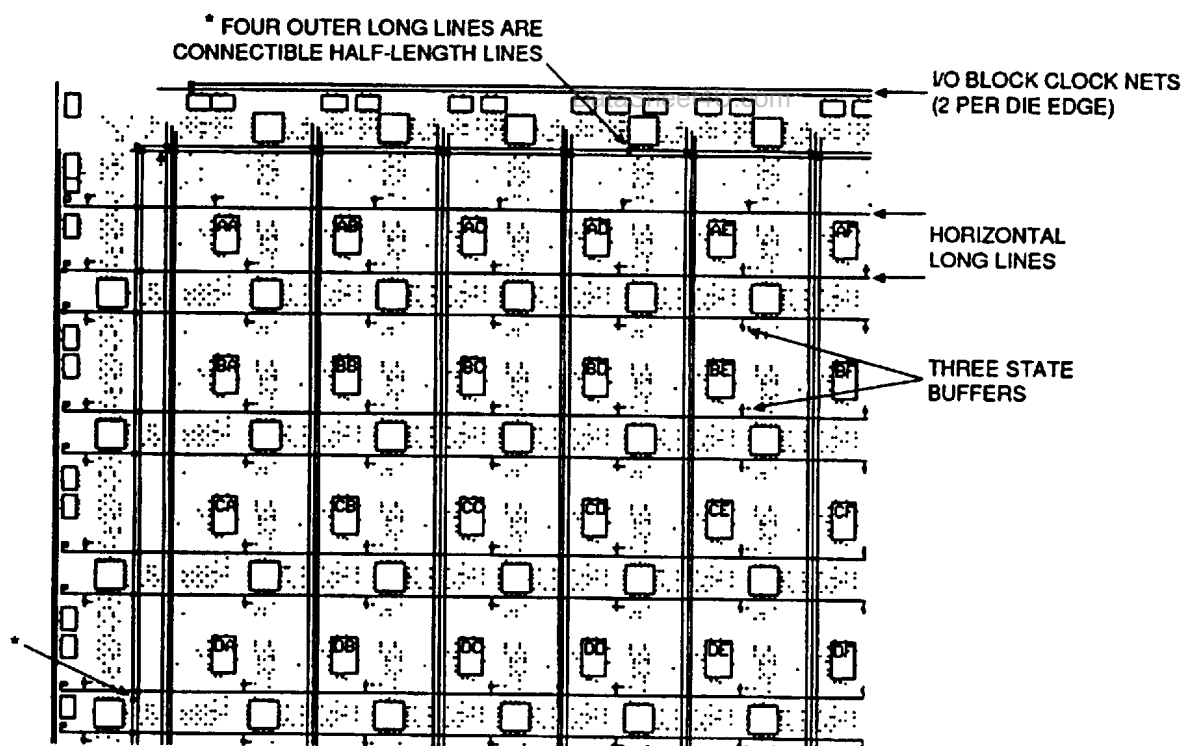
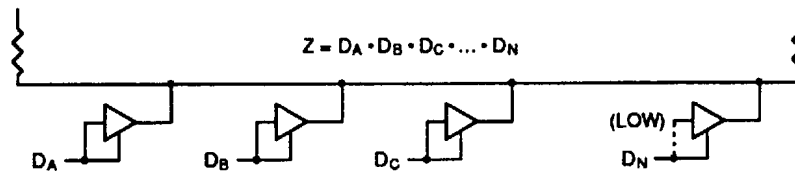
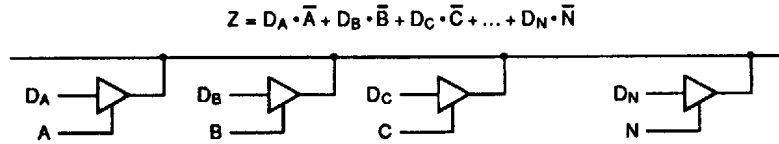
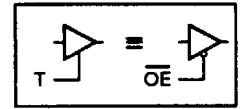


Figure 14. Programmable interconnection of long lines is provided at the edges of the routing area. Three-state buffers allow the use of horizontal long lines to form on-chip wired-AND and multiplexed buses. The left two vertical long lines per column (except ATT3020) and the outer perimeter long lines may be programmed as connectible half-length.



2271 07

Figure 15a. Three-state buffers implement a Wired-AND function. When all the buffer 3-state lines are HIGH, (high impedance), the pull-up resistor(s) provide the HIGH output. The buffer inputs are driven by the control signals or a LOW.



2271 08

Figure 15b. Three-state buffers implement a Multiplexer where the selection is accomplished by the buffer three-state signal.

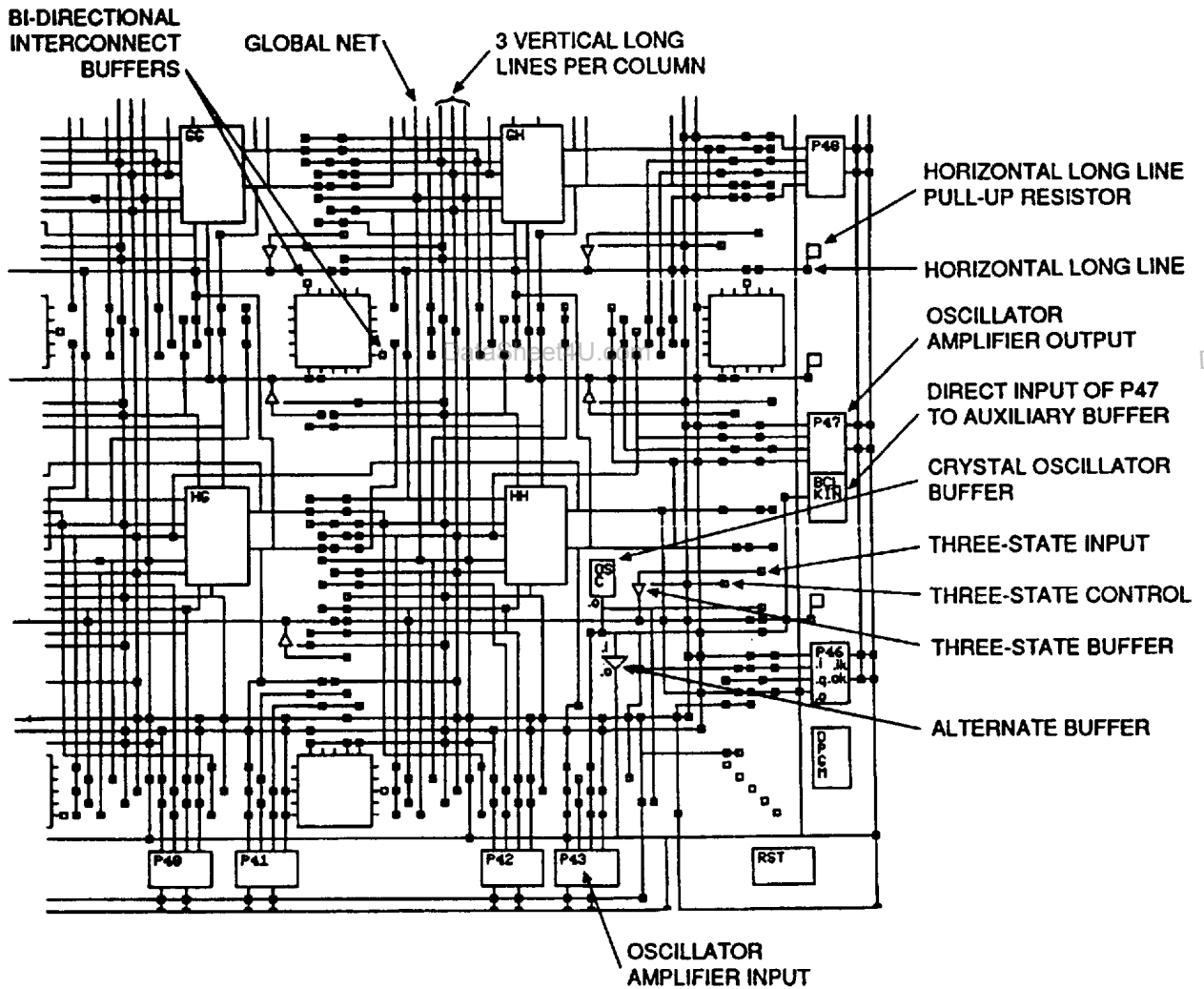


Figure 16. An XACT Development System extra large view of possible interconnections in the lower right corner of the ATT3020.

is designed to be used from 1 MHz to one-half the specified CLB toggle frequency. Use at frequencies below 1 MHz may require individual characterization with respect to a series resistance. Crystal oscillators above 20 MHz generally require a crystal which operates in a third overtone mode, where the fundamental frequency must be suppressed by the R-C networks. When the oscillator inverter is not used, these I/O Blocks and their package pins are available for general user I/O.

Programming

Initialization Phase

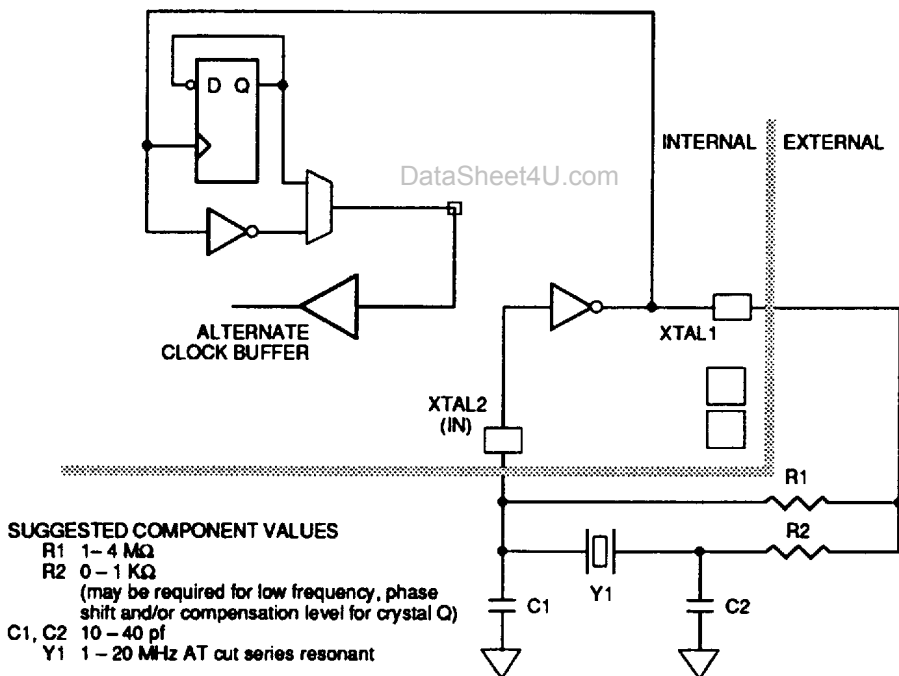
An internal power-on-reset circuit is triggered when power is applied. When V_{CC} reaches the voltage at which portions of the FPGA begin to operate (2.5 V to 3 V), the programmable I/O output buffers are disabled and a high impedance pull-up resistor is provided for the user I/O pins. A time-out delay is initiated to allow the power supply voltage to stabilize. During this time the power-down mode is inhibited. The Initialization state time-out (about 11 ms to 33 ms) is determined by a 14-bit counter driven by a self-generated, internal

timer. This nominal 1 MHz timer is subject to variations with process, temperature and power supply over the range of 0.5 MHz to 1.5 MHz. As shown in Table 1, five configuration mode choices are available as determined by the input levels of three mode pins; M0, M1 and M2.

In Master configuration modes, the FPGA becomes the source of Configuration Clock (CCLK). The beginning of configuration of devices using Peripheral or Slave modes must be delayed long enough for their initialization to be completed. An FPGA with mode

Table 1

M0	M1	M2	Clock	Mode	Data
0	0	0	active	Master	Bit Serial
0	0	1	active	Master	Byte Wide Addr. = 0000 up
0	1	0	—	reserved	—
0	1	1	active	Master	Byte Wide Addr. = FFFF down
1	0	0	—	reserved	—
1	0	1	passive	Peripheral	Byte Wide
1	1	0	—	reserved	—
1	1	1	passive	Slave	Bit Serial



	44 PIN	68 PIN	84 PIN		100 PIN		132 PIN	160 PIN	164 PIN	175 PIN
	PLCC	PLCC	PLCC	PGA	COFP	PQFP	PGA	PQFP	COFP	PGA
XTAL 1 (OUT)	30	47	57	J11	67	82	P13	82	105	T14
XTAL 2 (IN)	26	43	53	L11	61	76	M13	76	99	P15

2271 09

Figure 17. When activated in the "MAKEBITS" program and by selecting an output network for its buffer, the crystal oscillator inverter uses two unconfigured package pins and external components to implement an oscillator. An optional divide-by-two mode is available to assure symmetry.

lines selecting a Master configuration mode extends its initialization state using four times the delay (43 ms to 130 ms) to assure that all daisy-chained slave devices which it may be driving will be ready even if the master is very fast, and the slave(s) very slow. Figure 18 shows the state sequences. At the end of Initialization, the FPGA enters the Clear state where it clears the configuration memory. The active-low, open-drain initialization signal $\overline{\text{INIT}}$ indicates when the Initialization and Clear states are complete. The FPGA tests for the absence of an external active-low $\overline{\text{RESET}}$ before it makes a final sample of the mode lines and enters the Configuration state. An external wired-AND of one or more $\overline{\text{INIT}}$ pins can be used to control configuration by the assertion of the active-low $\overline{\text{RESET}}$ of a master mode device or to signal a processor that the FPGAs are not yet initialized.

If a configuration has begun, a re-assertion of $\overline{\text{RESET}}$ for a minimum of three internal timer cycles will be recognized and the FPGA will initiate an abort, returning to the Clear state to clear the partially loaded configuration memory words. The FPGA will then re-sample $\overline{\text{RESET}}$ and the mode lines before re-entering the Configuration state. A re-program is initiated when a configured FPGA senses a HIGH to LOW transition on the DONE/PROG package pin. The FPGA returns to the Clear state where the configuration memory is cleared and mode lines re-sampled, as for an aborted configuration. The complete configuration program is cleared and loaded during each configuration program cycle.

Length count control allows a system of multiple FPGAs, of assorted sizes, to begin operation in a syn-

chronized fashion. The configuration program generated by the MakePROM program of the XACT development system begins with a preamble of 11111110010 followed by a 24-bit 'length count' representing the total number of configuration clocks needed to complete loading of the configuration program(s). The data framing is shown in Figure 19. All FPGAs connected in series read and shift preamble and length count in on positive and out on negative configuration clock edges. An FPGA which has received the preamble and length count then presents a HIGH Data Out until it has intercepted the appropriate number of data frames. When the configuration program memory of an FPGA is full and the length count does not compare, the FPGA shifts any additional data through, as it did for preamble and length count.

When the FPGA configuration memory is full and the length count compares, the FPGA will execute a synchronous start-up sequence and become operational (see Figure 20). Three CCLK cycles after the completion of loading configuration data the user I/O pins are enabled as configured. As selected in MAKEBITS, the internal user-logic reset is released either one clock cycle before or after the I/O pins become active. A similar timing selection is programmable for the DONE/PROG output signal. DONE/PROG may also be programmed to be an open drain or include a pull-up resistor to accommodate wired ANDing. The High During Configuration (HDC) and Low During Configuration (LDC) are two user I/O pins which are driven active when an FPGA is in its Initialization, Clear or Configure states. They and DONE/PROG provide signals for control of external logic signals such as reset, bus enable or PROM enable during configuration. For

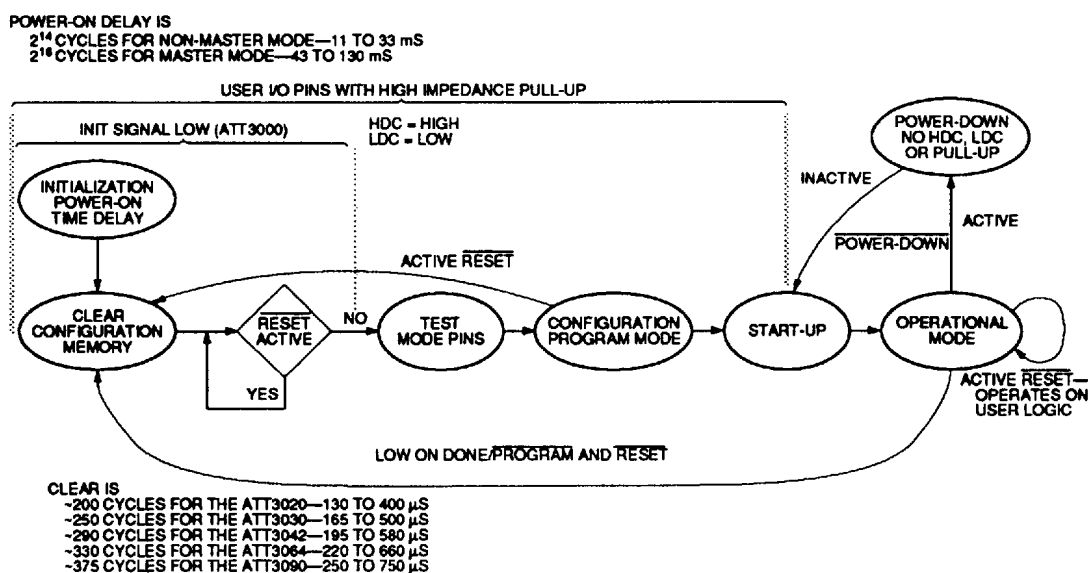


Figure 18. A state diagram of the configuration process for power-up and reprogram.

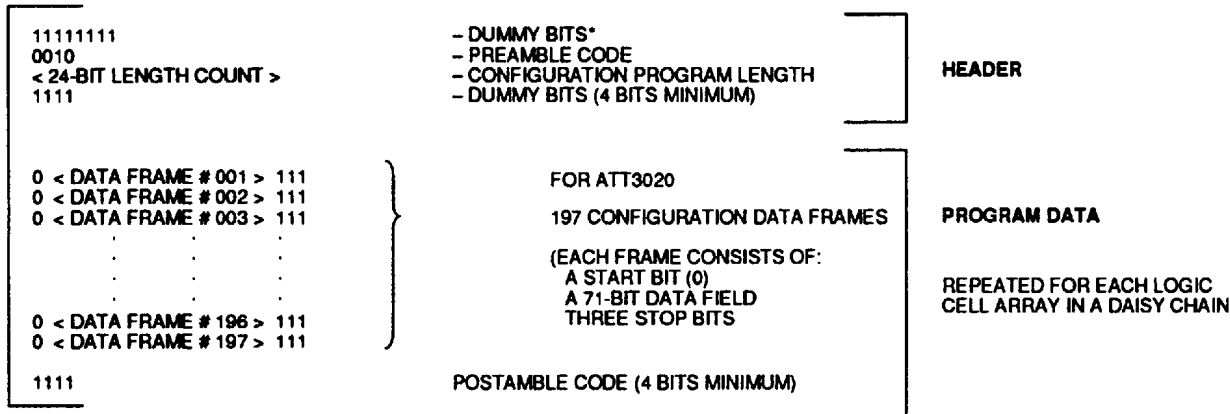
parallel Master configuration modes these signals provide PROM enable control and allow the data pins to be shared with user logic signals.

User I/O inputs can be programmed to be either TTL or CMOS compatible thresholds. At power-up, all inputs have TTL thresholds and can change to CMOS thresholds at the completion of configuration if the user has selected CMOS thresholds. The threshold of PW-RDWN and the direct clock inputs are fixed at a CMOS level.

If the crystal oscillator is used it will begin operation before configuration is complete to allow time for stabilization before it is connected to the internal circuitry.

Configuration Data

Configuration data to define the function and interconnection within a FPGA are loaded from an external storage at power-up and on a re-program signal. Several methods of automatic and controlled loading of the required data are available. Logic levels applied to



*The FPGA Devices Require 4 Dummy Bits Min., XACT 3.0 Generates 8 Dummy Bits

2271 11

Device	ATT3020	ATT3030	ATT3042	ATT3064	ATT3090
Gates	2000	3000	4200	6400	9000
CLBs	64	100	144	224	320
Row X Col	(8 X 8)	(10 X 10)	(12 X 12)	(16 X 14)	(20 X 16)
I/Os	64	80	96	120	144
Flip-flops	256	360	480	688	928
Bits per frame (w/ 1 start 3 stop)	75	92	108	140	172
Frames	197	241	285	329	373
Program Data = Bits * Frames + 4 (excludes header)	14779	22176	30784	46064	64160
PROM size (bits) = Program Data + 40 bit Headers	14819	22216	30824	46104	64200

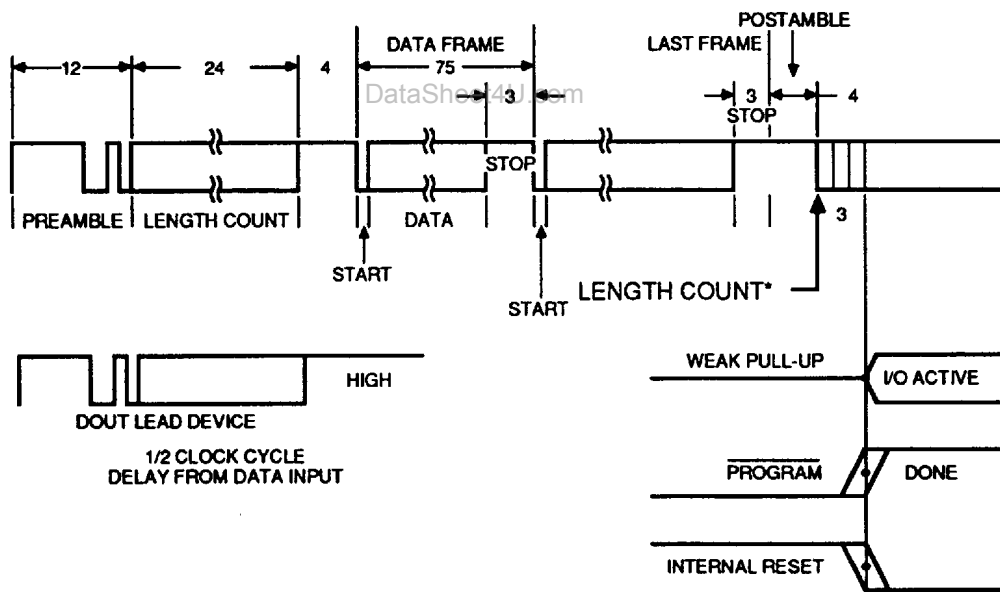
Figure 19. The internal Configuration Data Structure for an FPGA shows the preamble, length count and data frames which are generated by the XACT Development System.

The Length Count produced by the "MAKEBIT" program = [(40-bit preamble + sum of program data + 1 per daisy chain device) rounded up to multiple of 8] - (2 ≤ K ≤ 4) where K is a function of DONE and RESET timing selected. An additional 8 is added if roundup increment is less than K. K additional clocks are needed to complete start-up after length count is reached.

mode selection pins at the start of configuration time determine the method to be used (see Table 1). The data may be either bit-serial or byte-parallel, depending on the configuration mode. Various AT&T Programmable Gate Arrays have different sizes and numbers of data frames. For the ATT3020, configuration requires 14779 bits for each device, arranged in 197 data frames. An additional 40 bits are used in the header (see Figure 20). The specific data format for each device is produced by the MAKEBITS command of the development system and one or more of these files can then be combined and appended to a length count preamble and be transformed into a PROM format file by the 'MAKE PROM' command of the XACT development system. The "tie" option of the MAKEBITS program defines output levels of unused blocks of a design and connects these to unused routing resources. This prevents indeterminate levels which might produce parasitic supply currents. If unused blocks are not sufficient to complete the 'tie,' the FLAGNET command of EDITFPGA can be used to indicate nets which must not be used to drive the remaining unused routing, as that might affect timing of user nets. NORESTORE will retain the results of TIE for timing analysis with QUERYNET before RESTORE returns the design to the untied condition. TIE can be omitted for quick breadboard iterations where a few additional mA of I_{CC} are acceptable.

The configuration bit-stream begins with HIGH preamble bits, a four-bit preamble code and a 24-bit length count. When configuration is initiated, a counter in the FPGA is set to 0 and begins to count the total number of configuration clock cycles applied to the device. As each configuration data frame is supplied to the FPGA, it is internally assembled into a data word. As each data word is completely assembled, it is loaded in parallel into one word of the internal configuration memory array. The configuration loading process is complete when the current length count equals the loaded length count and the required configuration program data frames have been written. Internal user flip-flops are held reset during configuration.

Two user programmable pins are defined in the unconfigured FPGA. High During Configuration (HDC) and Low During Configuration (LDC) as well as DONE/PROG may be used as external control signals during configuration. In Master mode configurations it is convenient to use LDC as an active-low EPROM Chip Enable. After the last configuration data-bit is loaded and the length count compares, the user I/O pins become active. Options in the MAKEBITS program allow timing choices of one clock earlier or later for the timing of the end of the internal logic reset and the assertion of the DONE signal. The open-drain DONE/PROG out-



* THE CONFIGURATION DATA CONSISTS OF A COMPOSITE 40-BIT PREAMBLE/LENGTH-COUNT, FOLLOWED BY ONE OR MORE CONCATENATED LCA PROGRAMS, SEPARATED BY 4-BIT POSTAMBLES. AN ADDITIONAL FINAL POSTAMBLE BIT IS ADDED FOR EACH SLAVE DEVICE AND THE RESULT ROUNDED UP TO A BYTE BOUNDARY. THE LENGTH COUNT IS TWO LESS THAN THE NUMBER OF RESULTING BITS.

TIMING OF THE ASSERTION OF DONE AND TERMINATION OF THE INTERNAL RESET MAY EACH BE PROGRAMMED TO OCCUR ONE CYCLE BEFORE OR AFTER THE I/O OUTPUTS BECOME ACTIVE.

2271 12

Figure 20. Configuration and start-up of one or more FPGAs.

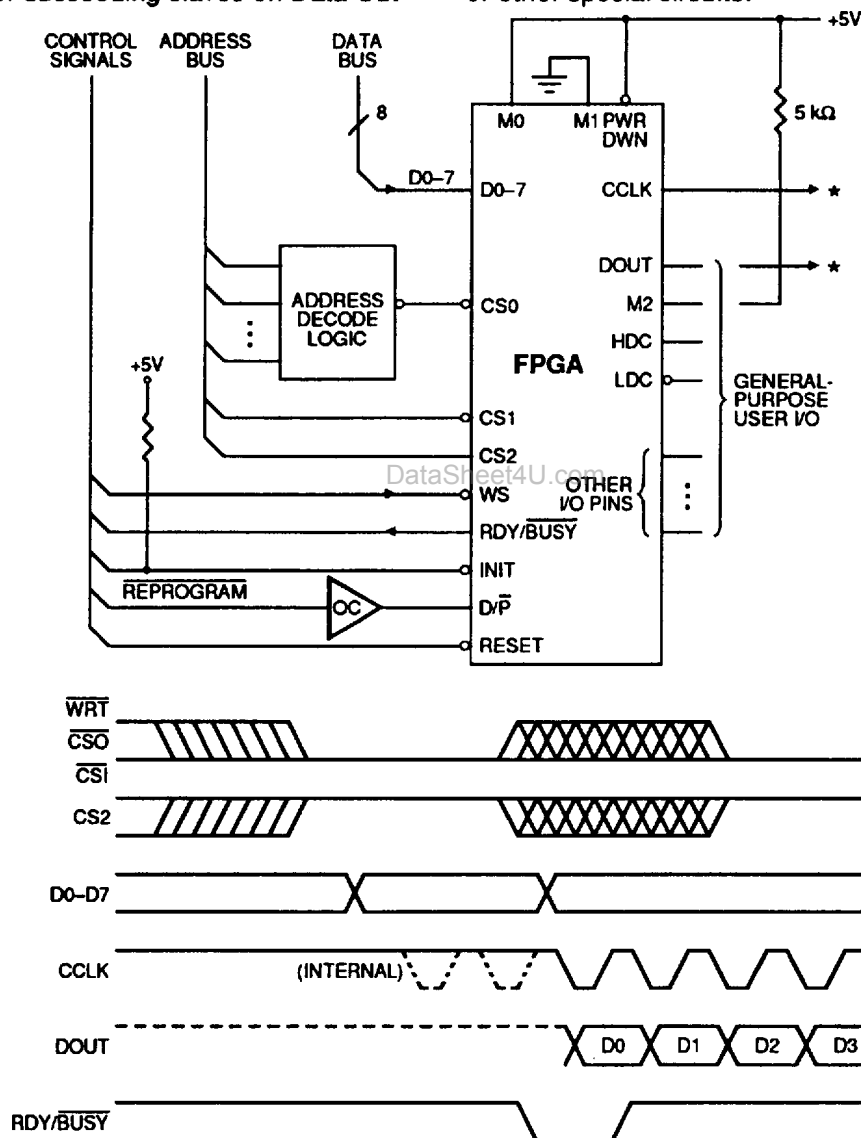
Peripheral Mode

Peripheral mode provides a simplified interface through which the device may be loaded byte-wise, as a processor peripheral. Figure 23 shows the peripheral mode connections. Processor write cycles are decoded from the common assertion of the active-low Write Strobe (\overline{WS}), and two active-low and one active-high Chip Selects ($\overline{CS0}$, $\overline{CS1}$, $CS2$). If all these signals are not available, the unused inputs should be driven to their respective active levels. The FPGA will accept one byte of configuration data on the D0—D7 inputs for each selected processor Write cycle. Each byte of data is loaded into a buffer register. The FPGA generates a configuration clock from the internal timing generator and serializes the parallel input data for internal framing or for succeeding slaves on Data Out

(DOUT). A output HIGH on $\overline{RDY/BUSY}$ pin indicates the completion of loading for each byte when the input register is ready for a new byte. As with Master modes, Peripheral mode may also be used as a lead device for a daisy-chain of slave devices.

Slave Mode

Slave mode provides a simple interface for loading the FPGA configuration as shown in Figure 24. Serial data are supplied in conjunction with a synchronizing input clock. Most Slave mode applications are in daisy-chain configurations in which the data input are supplied by the previous FPGA's data out, while the clock is supplied by a lead device in Master or Peripheral mode. Data may also be supplied by a processor or other special circuits.



*FOR OPTIONAL SLAVE MODE FPGAs IN A DAISY CHAIN

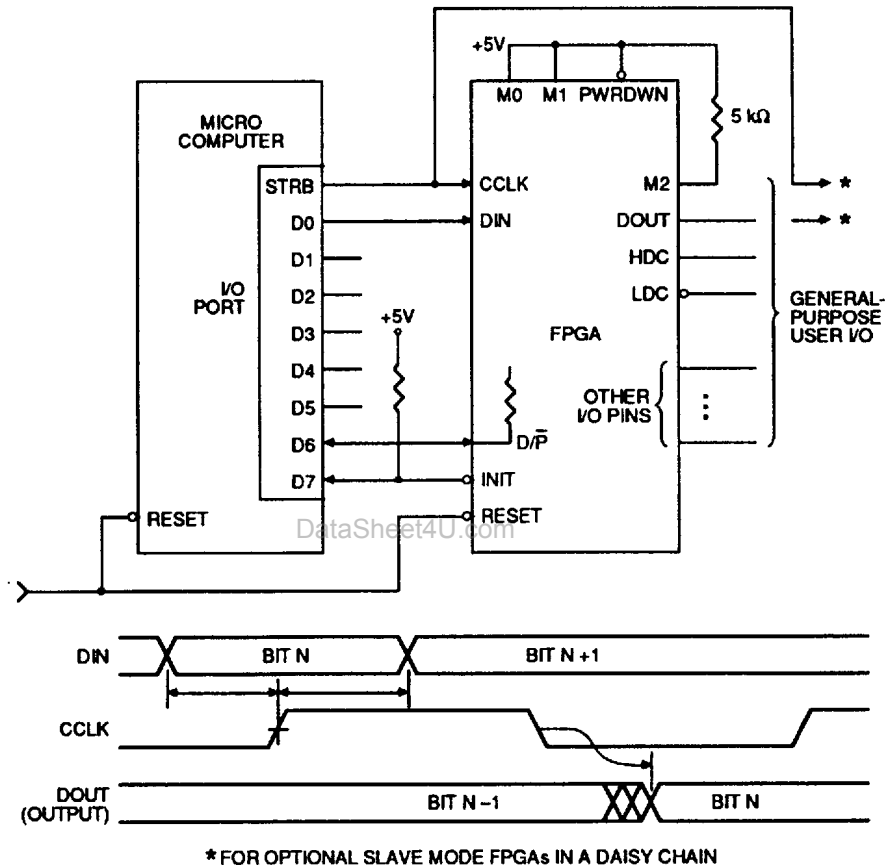
2271 15

Figure 23. Peripheral Mode. Configuration data are loaded using a byte-wide data bus from a microprocessor.

Daisy-Chain

The XACT development system is used to create a composite configuration bit stream for selected FPGAs including: a preamble, a length count for the total bit-stream, multiple concatenated data programs and a postamble plus an additional fill bit per device in the serial chain. After loading and passing-on the preamble and length count to a possible daisy-chain, a lead device will load its configuration data frames while providing a HIGH DOUT to possible down-stream devices as shown in Figure 25. Loading continues while the lead device has received its configuration program and the current length count has not reached the full

value. The additional data are passed through the lead device and appear on the Data Out (DOUT) pin in serial form. The lead device also generates the Configuration Clock (CCLK) to synchronize the serial output data and data in of down-stream FPGAs. Data are read in on DIN of slave devices by the positive edge of CCLK and shifted out the DOUT on the negative edge of CCLK. A parallel Master mode device uses its internal timing generator to produce an internal CCLK of 8 times its EPROM address rate, while a Peripheral mode device produces a burst of 8 CCLKs for each chip select and write-strobe cycle. The internal timing generator continues to operate for general timing and synchronization of inputs in all modes.



2271 16

Figure 24. Slave Mode. Bit-serial configuration data are read at rising edge of the CCLK. Data on DOUT are provided on the falling edge of CCLK.

Special Configuration Functions

The configuration data include control over several special functions in addition to the normal user logic functions and interconnect:

- Input thresholds
- Readback enable
- DONE pull-up resistor
- DONE timing
- RESET timing
- Oscillator frequency divided by two

Each of these functions is controlled by configuration data bits which are selected as part of the normal XACT development system bit-stream generation process.

Input Thresholds

Prior to the completion of configuration, all FPGA input thresholds are TTL compatible. Upon completion of configuration the input thresholds become either TTL or CMOS compatible as programmed. The use of the TTL threshold option requires some additional supply current for threshold shifting. The exception is the threshold of the PWRDWN input and direct clocks which always have a CMOS input. Prior to the completion of configuration, the user I/O pins each have a high impedance pull-up. The configuration program can be used to enable the I/O Block pull-up resistors in the Operational mode to act either as an input load or to avoid a floating input on an otherwise unused pin.

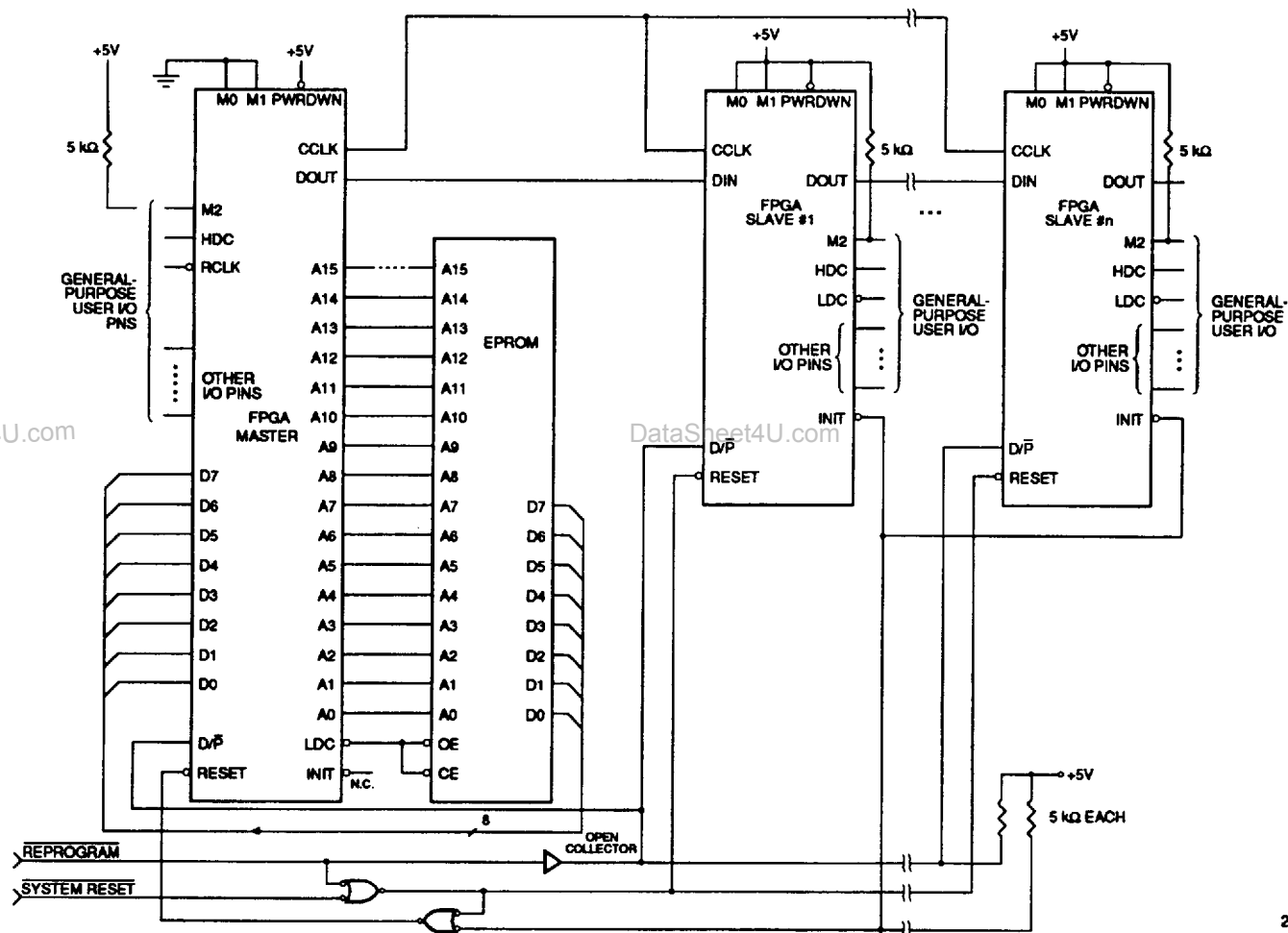


Figure 25. Master Mode configuration with daisy chained slave mode devices. All are configured from the common EPROM source. The Slave mode device INIT signals delay the Master device configuration until they are initialized. A well defined termination of SYSTEM RESET is needed when controlling multiple FPGAs.

Readback

The contents of a FPGA may be read back if it has been programmed with a bit-stream in which the Readback option has been enabled. Readback may be used for verification of configuration and as a method of determining the state of internal logic nodes during debugging with the Data I/O Mesa-I In-Circuit Verifier. There are three options in generating the configuration bit-stream:

- “Never” will inhibit the Readback capability.
- “One-time,” will inhibit Readback after one Readback has been executed to verify the configuration.
- “On-command” will allow unrestricted use of Readback.

Readback is accomplished without the use of any of the user I/O pins; only M0, M1 and CCLK are used. The initiation of readback is produced by a LOW to HIGH transition of the M0/RTRIG (Read Trigger) pin. Once the readback command has been given, the input CCLK is driven by external logic to read back each data bit in a format similar to loading. After two dummy bits, the first data frame is shifted out, in inverted sense, on the M1/RDATA (Read Data) pin. All data frames must be read back to complete the process and return the mode select and CCLK pins to their normal functions.

The readback data includes the current state of each internal logic block storage element, and the state of the $[.i$ and $.r]$ connection pins on each I/O Block. These data are imbedded into unused configuration bit positions during readback. This state information is used by the FPGA development system In-Circuit Verifier to provide visibility into the internal operation of the logic while the system is operating. To readback a uniform time-sample of all storage elements it may be necessary to inhibit the system clock.

Re-program

The FPGA configuration memory can re-written while the device is operating in the user's system. To initiate a re-programming cycle, the dual function package pin DONE/PROG must be given a HIGH to LOW transition. To reduce sensitivity to noise, the input signal is filtered for 2 cycles of the FPGA's internal timing generator. When re-program begins, the user programmable I/O output buffers are disabled and high impedance pull-ups are provided for the package pins. The

device returns to the Clear state and clears the configuration memory before it indicates 'initialized'. Since this clear operation uses chip-individual internal timing, the master might complete the clear operation and then start configuration before the slave has completed the clear operation. To avoid this problem, wire-AND the slave $\overline{\text{INIT}}$ pins and use them to force a RESET on the master (see Figure 25). Reprogram control is often implemented using an external open collector driver which pulls DONE/PROG LOW. Once it recognizes a stable request, the FPGA will hold a LOW until the new configuration has been completed. Even if the re-program request is externally held LOW beyond the configuration period, the FPGA will begin operation upon completion of configuration.

DONE Pull-up

DONE/ $\overline{\text{PROG}}$ is an open drain I/O pin that indicates the FPGA is in the operational state. An optional internal pull-up resistor can be enabled by the user of the XACT development system when 'Make Bits' is executed. The DONE/PROG pins of multiple FPGAs in a daisy-chain may be connected together to indicate all are DONE or to direct them all to re-program.

DONE Timing

The timing of the DONE status signal can be controlled by a selection in the MAKEBITS program to occur a CCLK cycle before, or after, the timing of outputs being activated (see Figure 20). This facilitates control of external functions such as a PROM enable or holding a system in a wait state.

RESET Timing

As with DONE timing, the timing of the release of the internal RESET can be controlled by a selection in the MAKEBITS program to occur a CCLK cycle before, or after, the timing of outputs being enabled (see Figure 20). This reset maintains all user programmable flip-flops and latches in a 'zero' state during configuration.

Crystal Oscillator Division

A selection in the MAKEBITS program allows the user to incorporate a dedicated divide-by-two flip-flop in the crystal oscillator function. This provides higher assurance of a symmetrical timing signal. Although the frequency stability of crystal oscillators is high, the symmetry of the waveform can be affected by bias or feedback drive.

Performance

Device Performance

The high performance of the FPGA is due in part to the manufacturing process, which is similar to that used for high-speed CMOS static memories. Performance can be measured in terms of minimum propagation times for logic elements. The parameter which traditionally describes the overall performance of a gate array is the toggle frequency of a flip-flop. The configuration for determining the toggle performance of the FPGA is shown in Figure 26. The flip-flop output Q is fed back through the combinatorial logic as \bar{Q} to form the toggle flip-flop.

Actual FPGA performance is determined by the timing of critical paths, including both the fixed timing for the logic and storage elements in that path, and the timing associated with the routing of the network. Examples of internal worst case timing are included in the performance data to allow the user to make the best use of the capabilities of the device. The XACT development system timing calculator or XACT generated simulation models should be used to calculate worst case paths by using actual impedance and loading information. Figure 27 shows a variety of elements which are involved in determining system performance. Actual measurement of internal timing is not practical and often only the sum of component timing is relevant as in the case of input to output. The relationship between input and output timing is arbitrary and only the total determines performance. Timing components of internal functions may be determined by measurement of differences at the pins of the package. A synchronous logic function which involves a clock to block-output, and a block-input to clock set-up is capable of higher speed operation than a logic configuration of two synchronous blocks with an extra combinatorial block level between them. System clock rates to 60% of the toggle frequency are practical for logic in which an extra combinatorial level is located between synchronized blocks. This allows implementation of functions of up to 25 variables. The use of the wired-AND is also available for wide, high speed functions.

Logic Block Performance

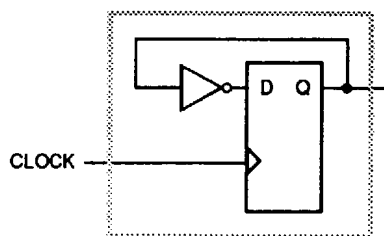
Logic block performance is expressed as the propagation time from the interconnect point at the input of the combinatorial logic to the output of the block in the interconnect area. Combinatorial performance is independent of the specific logic function because of the table look-up based implementation. Timing is different when the combinatorial logic is used in conjunction

with the storage element. For the combinatorial logic function driving the data input of the storage element, the critical timing is data set-up relative to the clock edge provided to the flip-flop element. The delay from the clock source to the output of the logic block is critical in the timing of signals produced by storage elements. Loading of a Logic Block output is limited only by the resulting propagation delay of the larger interconnect network. Speed performance of the logic block is a function of supply voltage and temperature (see Figures 28 and 29).

Interconnect Performance

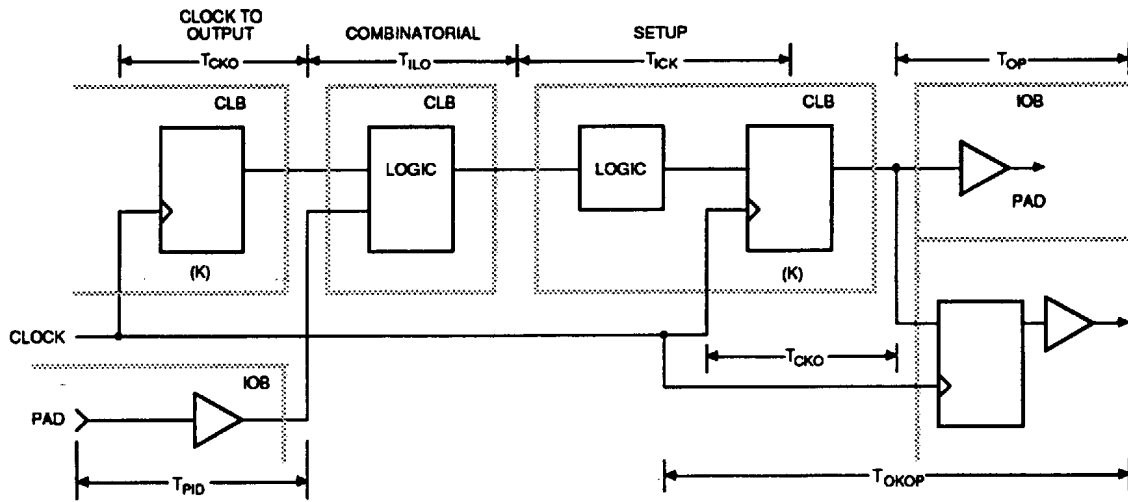
Interconnect performance depends on the routing resource used to implement the signal path. As discussed earlier, direct interconnect from block to block provides a fast path for a signal. The single metal segment used for Long lines exhibits low resistance from end to end, but relatively high capacitance. Signals driven through a programmable switch will have the additional impedance of the switch added to their normal drive impedance.

General-purpose interconnect performance depends on the number of switches and segments used, the presence of the bidirectional re-powering buffers and the overall loading on the signal path at all points along the path. In calculating the worst-case timing for a general interconnect path, the timing calculator portion of the XACT development system accounts for all of these elements. As an approximation, interconnect timing is proportional to the summation of totals of local metal segments beyond each programmable switch. In effect, the time is a sum of R-C time each approximated by an R times the total C it drives. The R of the switch and the C of the interconnect are functions of the particular device performance grade. For a string of three local interconnects, the approximate time at the first segment, after the first switch resistance would be three units; an additional two units after the next switch plus an additional unit after the last switch in the chain. The interconnect R-C chain terminates at each re-powering buffer. The capacitance of



2271 18

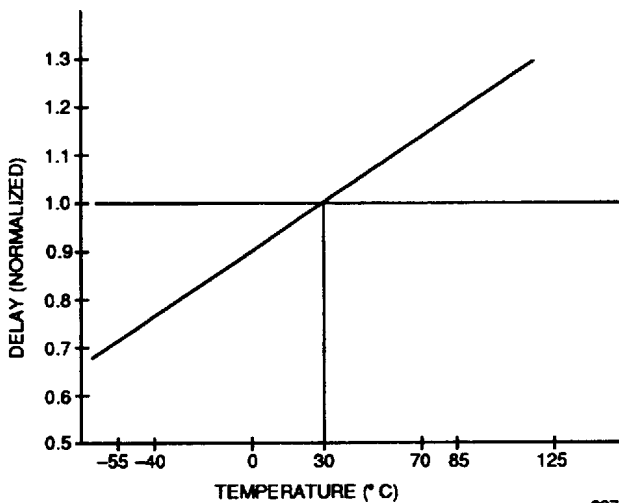
Figure 26. "Toggle" Flip-Flop used to characterize device performance.



2271 19

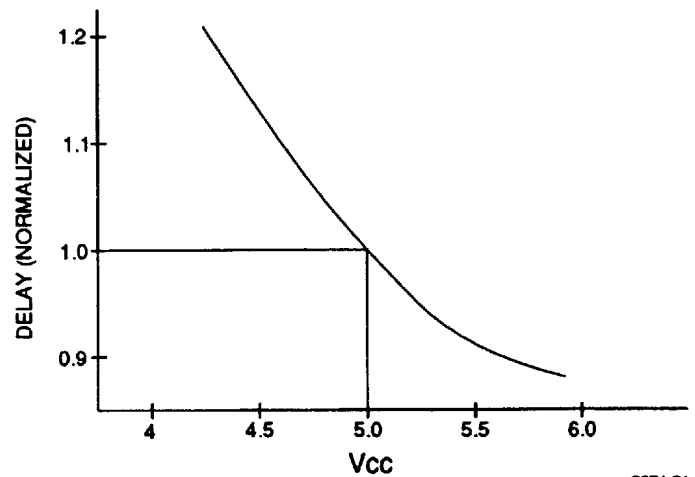
Figure 27. Examples of Primary Block Speed Factors. Actual timing is a function of various block factors combined with routing factors. Overall performance can be evaluated with the XACT timing calculator or by an optional simulation.

Signal	Description	Symbol	Speed (4)		150		200		230		Unit
			Min	Max	Min	Max	Min	Max	Min	Max	
Logic input to Output	Combinatorial	TIL0		4.6		3.2		2.7		ns	
K Clock	To output	TCKO		4		2.5		2.1		ns	
	Logic-input setup	T1CK	4.6		0		2.1		0	ns	
	Logic-input hold	TCKI	0				0			ns	
Input/Output	Pad to input (direct)	TPID		2.8		2.5		2.2		ns	
	Output to pad (fast)	TOP		4.5		3.7		3.3		ns	
	I/O clock to pad (fast)	TOKPO		7		5		4.4		ns	
FF toggle frequency		FCLK		150		200		230		MHz	



2271 20

Figure 28. Change in speed performance as a function of temperature, normalized for 30°C.



2271 21

Figure 29. The speed performance of a CMOS device increases with Vcc within the operating range.

the actual block inputs is not significant; the capacitance is in the interconnect metal and switches. Figure 30 illustrates this.

Power

Power Distribution

Power for the FPGA is distributed through a grid to achieve high noise immunity and isolation between logic and I/O. Inside the FPGA, a dedicated Vcc and ground ring surrounding the logic array provides power to the I/O drivers (see Figure 31). An independent matrix of Vcc and ground lines supplies the interior logic of the device. This power distribution grid provides a stable supply and ground for all internal logic, providing the external package power pins are all connected and appropriately decoupled. Typically a 0.1 μF capacitor connected near the Vcc and ground pins of the package will provide adequate decoupling.

Output buffers capable of driving the specified 4 mA loads under worst-case conditions. Noise can be reduced by minimizing external load capacitance and reducing simultaneous output transitions in the same direction. It may also be beneficial to locate heavily loaded output buffers near the ground pads. The I/O Block output buffers have a slew limited mode which

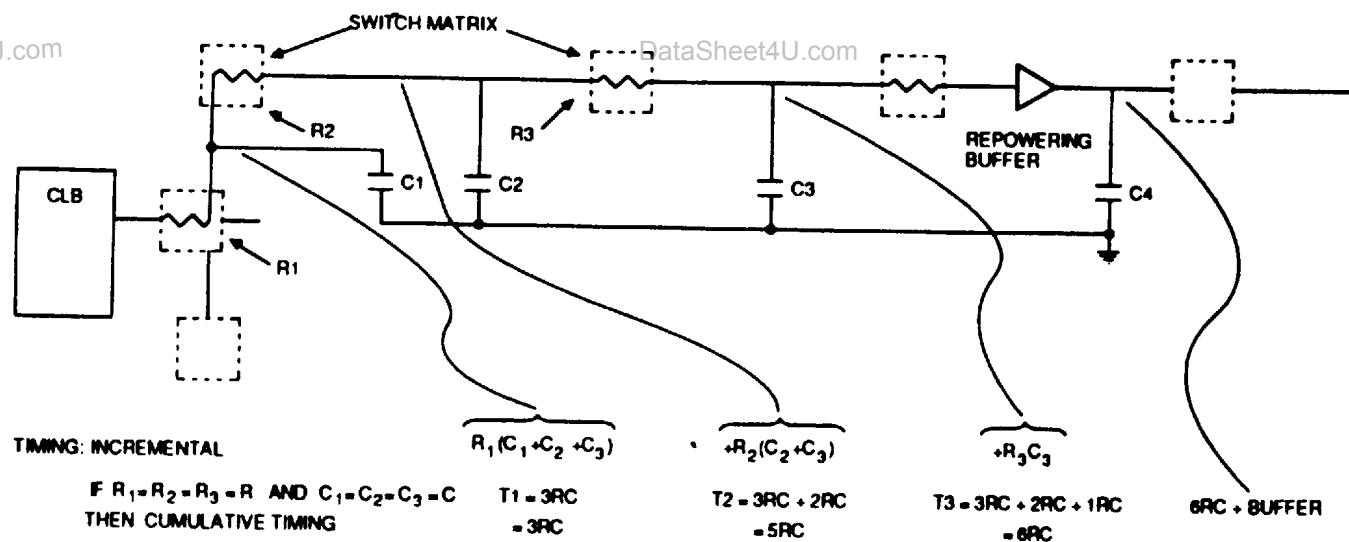
should be used where output rise and fall times are not speed critical.

Slew-limited outputs maintain their DC drive capability, but generate less external reflections and internal noise. More than 32 fast outputs should not be switching in the same direction exactly simultaneously. A few nanoseconds of deliberate skew can alleviate this problem of "ground-bounce".

Power Dissipation

The FPGA exhibits the low power consumption characteristic of CMOS ICs. For any design, the user can use Figure 32 to calculate the total power requirement based on the sum of the capacitive and dc loads both external and internal. The configuration option of TTL chip input threshold requires power for the threshold reference. The power required by the static memory cells which hold the configuration data is very low and may be maintained in a power-down mode.

Typically, most of power dissipation is produced by external capacitive loads on the output buffers. This load and frequency dependent power is 25 μW/pF/MHz per output. Another component of I/O power is the DC loading on each output pin by devices driven by the FPGA.



2271 22

Figure 30. Interconnection timing example. Use of the XACT timing calculator or XACT-generated simulation model provides actual worst-case performance information.

Internal power dissipation is a function of the number and size of the nodes, and the frequency at which they change. In an FPGA, the fraction of nodes changing on a given clock is typically low (10–20%). For example, in a large binary counter, the average clock cycle produces changes equal to one CLB output at the clock frequency. Typical global clock buffer power is between 1.7 mW/MHz for the ATT3020 and 3.6 mW/MHz for the ATT3090. The internal capacitive load is more a function of interconnect than fan-out. With a "typical" load of three general interconnect segments, each Configurable Logic Block output requires about 0.4 mW per MHz of its output frequency.

$$\text{Total Power} = V_{cc} \cdot I_{cco} + \text{external (DC + capacitive)} + \text{internal (CLB + IOB + Long Line + pull-up)}$$

Because the control storage of the FPGA is CMOS static memory, its cells require a very low standby current for data retention. In some systems, this low data retention current characteristic can be used as a method of preserving configurations in the event of a primary power loss. The FPGA has built in power-down logic which, when activated, will disable normal operation of the device and retain only the configuration data. All internal operation is suspended and out-

put buffers are placed in their high impedance state with no pull-ups. Powerdown data retention is possible with a simple battery-backup circuit because the power requirement is extremely low. For retention at 2.4 volts the required current is typically on the order of 50 nanoamps.

To force the FPGA into the Powerdown state, the user must pull the $\overline{\text{PWRDWN}}$ pin low and continue to supply a retention voltage to the V_{cc} pins of the package. When normal power is restored, V_{cc} is elevated to its normal operating voltage and $\overline{\text{PWRDWN}}$ is returned to a HIGH. The FPGA resumes operation with the same internal sequence that occurs at the conclusion of configuration. Internal I/O and logic block storage elements will be reset, the outputs will become enabled and the $\overline{\text{DONE/PROG}}$ pin will be released. No configuration programming is involved.

When the power supply is removed from a CMOS device it is possible to supply some power from an input signal. The conventional electrostatic input protection is implemented with diodes to the supply and ground. A positive voltage applied to an input (or output) will cause the positive protection diode to conduct and drive the power pin. This condition can produce invalid power conditions and should be avoided. A large series resistor might be used to limit the current or a

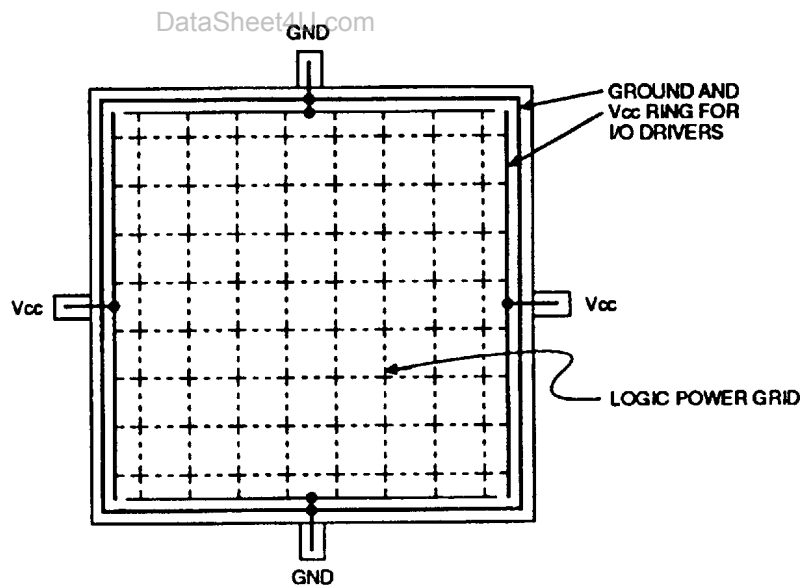


Figure 31. FPGA Power Distribution.

2271 23

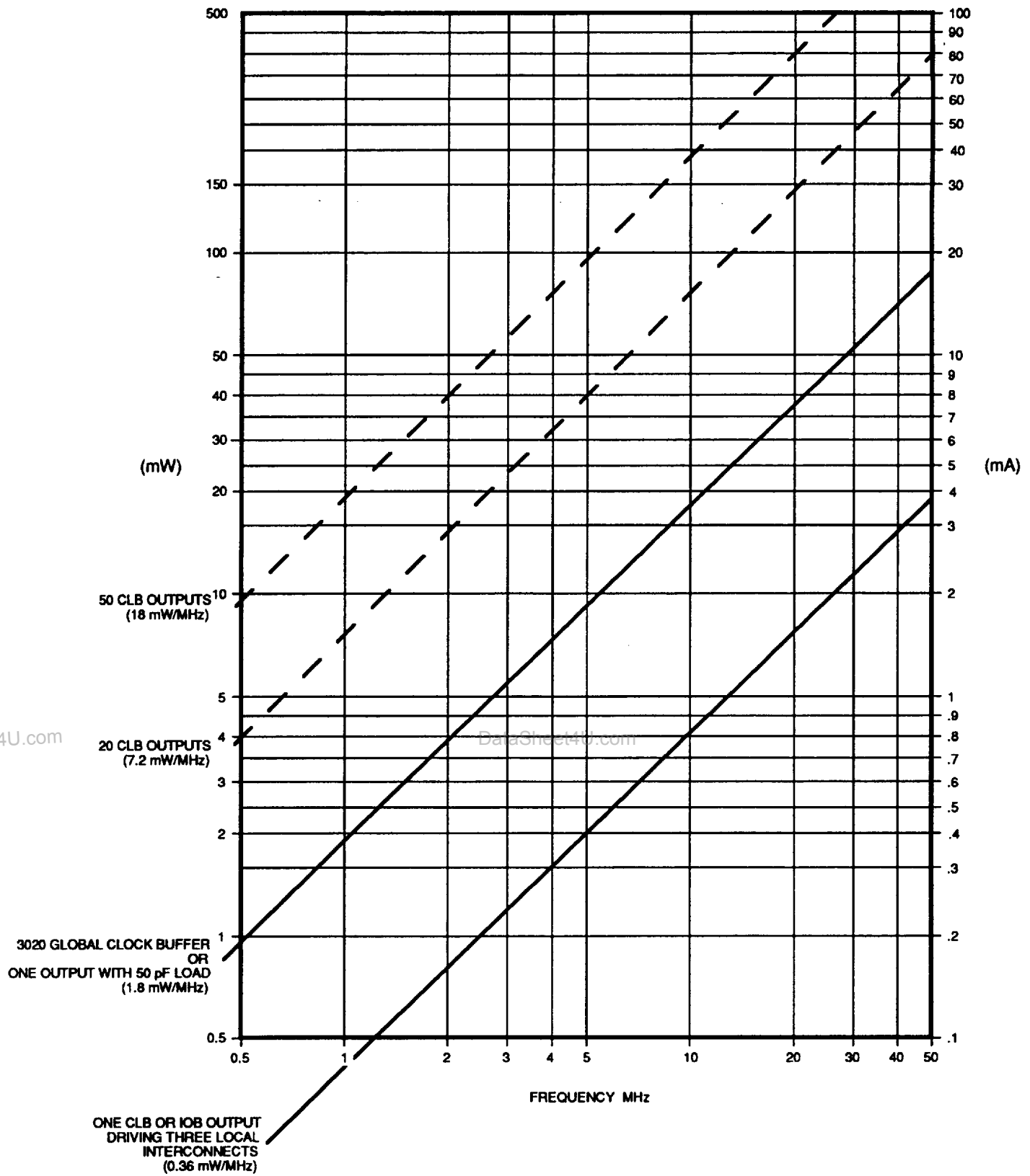


Figure 32. FPGA Power Consumption by Element. Total chip power is the sum of $V_{cc} \cdot I_{cco}$ plus effective internal and external values of frequency dependent capacitive charging currents and duty factor dependent resistive loads.

Pin Descriptions

1. Permanently Dedicated Pins.

V_{CC}

Two to eight (depending on package type) connections to the nominal +5 V supply voltage. All must be connected.

GND

Two to eight (depending on package type) connections to ground. All must be connected.

PWRDWN

A LOW on this CMOS compatible input stops all internal activity to minimize V_{CC} power, and puts all output buffers in a high impedance state, but configuration is retained. When the PWRDWN pin returns HIGH, the device returns to operation with the same sequence of buffer enable and DONE/PROGRAM as at the completion of configuration. All internal storage elements are reset. If not used, PWRDWN must be tied to V_{CC}.

RESET

This is an active-low input which has three functions.

Prior to the start of configuration, a LOW input will delay the start of the configuration process. An internal circuit senses the application of power and begins a minimal time-out cycle. When the time-out and RESET are complete, the levels of the "M" lines are sampled and configuration begins.

If RESET is asserted during a configuration, the FPGA is re-initialized and will restart the configuration at the termination of RESET.

If RESET is asserted after configuration is complete, it will provide an asynchronous reset of all IOB and CLB storage elements of the FPGA.

CCLK

During configuration, Configuration Clock is an output of an FPGA in Master mode or Peripheral mode. FPGAs in Slave mode use it as a clock input. During a Readback operation, it is a clock input for the configuration data being shifted out.

DONE

The DONE output is configurable as open drain with or without an internal pull-up resistor. At the completion of configuration, the circuitry of the FPGA becomes active in a synchronous order, and DONE may be programmed to occur one cycle before or after that.

PROG

Once configuration is done, a HIGH to LOW transition of this pin will cause an initialization of the FPGA and start a reconfiguration.

M0

As Mode 0, this input and M1, M2 are sampled before the start of configuration to establish the configuration mode to be used.

RTRIG

As a Read Trigger, a LOW-to-HIGH input transition, after configuration is complete, will initiate a Readback of configuration and storage element data by CCLK. This operation may be limited to a single request, or be inhibited altogether, by selecting the appropriate readback option when generating the bit stream.

M1

As Mode 1, this input, M0, and M2 are sampled before the start of configuration to establish the configuration mode to be used. If Readback is to be used, a 5 KΩ resistor should be used to define mode level inputs.

RDATA

As an active-low Read Data, after configuration is complete, this pin is the output of the readback data.

2. User I/O Pins that can have special functions.

M2

As Mode 2, this input has a passive pullup during configuration. Together with M0 and M1, it is sampled before the start of configuration to establish the configuration mode to be used. After configuration, this pin becomes a user-programmable I/O pin.

HDC

High During Configuration is held at a HIGH level by the FPGA until after configuration. It is available as a control output indicating that configuration is not yet completed. After configuration, this pin is a user I/O pin.

 $\overline{\text{LDC}}$

Low During Configuration is held at a LOW level by the FPGA until after configuration. It is available as a control output indicating that configuration is not yet completed. It is particularly useful in Master mode as a LOW enable for an EPROM. After configuration, this pin is a user I/O pin. If used as a LOW EPROM enable, it must be programmed as a HIGH after configuration.

 $\overline{\text{INIT}}$

This is an active-low open drain output which is held LOW during the power stabilization and internal clearing of the configuration memory. It can be used to indicate status to a configuring microprocessor or, as a wired AND of several slave mode devices, a hold-off signal for a master mode device. After configuration, this pin becomes a user-programmable I/O pin.

BCLKIN

This is a direct CMOS level input to the alternate clock buffer (Auxiliary Buffer) in the lower right corner.

XTL1

This user I/O pin can be used to operate as the output of an amplifier driving an external crystal and bias circuitry.

XTL2

This user I/O pin can be used as the input of an amplifier connected to an external crystal and bias circuitry. The I/O Block is left unconfigured. The oscillator configuration is activated by routing a net from the oscillator buffer symbol output and by the MAKEBITS program.

 $\overline{\text{CS0}}$, $\overline{\text{CS1}}$, $\overline{\text{CS2}}$, $\overline{\text{WS}}$

These four inputs represent a set of signals, three active-low and one active-high, which are used in the Peripheral mode to control configuration data entry. The assertion of all 4 generates a write to the internal data buffer. The removal of any assertion clocks in the D0—D7 data present.

 $\overline{\text{RCLK}}$

During Master parallel mode configuration, $\overline{\text{RCLK}}$ represents a "read" of an external dynamic memory device (normally not used).

 $\overline{\text{RDY/BUSY}}$

During Peripheral parallel mode configuration, this pin indicates when the chip is ready for another byte of data to be written to it. After configuration is complete, this pin becomes a user-programmed I/O pin.

D0—D7

This set of 8 pins represents the parallel configuration byte for the parallel Master and Peripheral modes. After configuration is complete, they are user-programmed I/O pin.

A0—A15

This set of 16 pins presents an address output for a configuration EPROM during Master parallel mode. After configuration is complete, they are user-programmed I/O pin.

DIN

This user I/O pin is used as serial Data input during Slave or Master Serial configuration. This pin is Data 0 input in Master or Peripheral configuration mode.

DOUT

This user I/O pin is used during configuration to output serial configuration data for daisy-chained slaves' Data In.

TCLKIN

This is a direct CMOS level input to the global clock buffer.

3. Unrestricted User I/O Pins.**I/O**

A pin which may be programmed by the user to be Input and/or Output pin following configuration. Some of these pins present a high impedance pull-up (see next page) or perform other functions before configuration is complete (see above).

Table 2a. ATT3000 Family Configuration Pin Assignments

Configuration Mode: <M2:M1:M0>					User Operation
Slave <1:1:1>	Master-SER <0:0:0>	Peripheral <1:0:1>	Master-High <1:1:0>	Master-Low <1:0:0>	44 PLCC	68 PLCC	84 PLCC	84 PGA	100 POFB	100 COFP	
PWR DWN (I)	PWR DWN (I)	PWR DWN (I)	PWR DWN (I)	PWR DWN (I)	7	10	12	B2	29	14	PWR DWN (I)
VCC	VCC	VCC	VCC	VCC	12	18	22	F3	41	26	VCC
M1 (HIGH) (I)	M1 (LOW) (I)	M1 (LOW) (I)	M1 (HIGH) (I)	M1 (LOW) (I)	16	25	31	J2	52	37	RDATA
M0 (HIGH) (I)	M0 (LOW) (I)	M0 (HIGH) (I)	M0 (LOW) (I)	M0 (LOW) (I)	17	26	32	L1	54	39	RTRIG (I)
M2 (HIGH) (I)	M2 (LOW) (I)	M2 (HIGH) (I)	M2 (HIGH) (I)	M2 (HIGH) (I)	18	27	33	K2	56	41	I/O
HDC(HIGH)	HDC(HIGH)	HDC(HIGH)	HDC(HIGH)	HDC(HIGH)	19	28	34	K3	57	42	I/O
LDC (LOW)	LDC (LOW)	LDC (LOW)	LDC (LOW)	LDC (LOW)	20	30	36	L3	59	44	I/O
INIT *	INIT *	INIT *	INIT *	INIT *	22	34	42	K6	65	50	I/O
GND	GND	GND	GND	GND	23	35	43	J6	66	51	GND
					26	43	53	L11	76	61	XTL2 - I/O
RESET (I)	RESET (I)	RESET (I)	RESET (I)	RESET (I)	27	44	54	K10	78	63	RESET (I)
DONE	DONE	DONE	DONE	DONE	28	45	55	J10	80	65	PROG (I)
					30	47	57	J11	82	67	XTL1 - I/O
						48	58	H10	83	68	I/O
						49	60	F10	87	72	I/O
						50	61	G10	88	73	I/O
						51	62	G11	89	74	I/O
VCC	VCC	VCC	VCC	VCC	34	52	64	F9	91	76	VCC
						53	65	F11	92	77	I/O
						54	66	E11	93	78	I/O
						55	67	E10	94	79	I/O
						56	70	D10	98	83	I/O
						57	71	C11	99	84	I/O
DIN (I)	DIN (I)	DATA 0 (I)	DATA 0 (I)	DATA 0 (I)	38	58	72	B11	100	85	I/O
DOU (I)	DOU (I)	DOU (I)	DOU (I)	DOU (I)	39	59	73	C10	1	86	I/O
CCLK (I)	CCLK	CCLK	CCLK	CCLK	40	60	74	A11	2	87	CCLK (I)
						61	75	B10	5	90	I/O
						62	76	B9	6	91	I/O
						63	77	A10	8	93	I/O
						64	78	A9	9	94	I/O
						65	81	B6	12	97	I/O
						66	82	B7	13	98	I/O
						67	83	A7	14	99	I/O
						68	84	C7	15	100	I/O
GND	GND	GND	GND	GND	1	1	1	C6	16	1	GND
						2	2	A6	17	2	I/O
						3	3	A5	18	3	I/O
						4	4	B5	19	4	I/O
						5	5	C5	20	5	I/O
						6	8	A3	23	8	I/O
						7	9	A2	24	9	I/O
						8	10	B3	25	10	I/O
						9	11	A1	26	11	I/O
						X	X	X	X	X	ATT3020
						X	X	X	X		ATT3030
							X	X	X	X	ATT3042
							X**				ATT3064
							X**				ATT3090

- REPRESENTS A 50 kΩ TO 100 kΩ PULL-UP.
 * INIT IS AN OPEN DRAIN OUTPUT DURING CONFIGURATION.
 (I) REPRESENTS AN INPUT
 ** PIN ASSIGNMENTS FOR THE ATT3064/ATT3090 DIFFER FROM THOSE SHOWN, SEE PAGE 35.
 *** PERIPHERAL MODE AND MASTER PARALLEL MODE ARE NOT SUPPORTED IN THE 44 PLCC PACKAGE, SEE PAGE 33.

Note: Pin assignments of "PGA Footprint" PLCC sockets and PGA packages are not electrically identical. Generic I/O pins are not shown.

Table 2a. ATT3000 Family Configuration Pin Assignments (continued)

Configuration Mode: <M2:M1:M0>					100	132	160	184	175	208	User
Slave <1:1:1>	Master-SER <0:0:0>	Peripheral <1:0:1>	Master-High <1:1:0>	Master-Low <1:0:0>	TOFP	PGA	POFP	COFP	PGA	SOFP	Operation
PWR DWN (I)	PWR DWN (I)	PWR DWN (I)	PWR DWN (I)	PWR DWN (I)	26	A1	159	20	B2	3	PWR DWN (I)
VCC	VCC	VCC	VCC	VCC	38	C8	20	42	D9	26	VCC
M1 (HIGH) (I)	M1 (LOW) (I)	M1 (LOW) (I)	M1 (HIGH) (I)	M1 (LOW) (I)	49	B13	40	62	B14	48	RDATA
M0 (HIGH) (I)	M0 (LOW) (I)	M0 (HIGH) (I)	M0 (LOW) (I)	M0 (LOW) (I)	51	A14	42	64	B15	50	RTRIG (I)
M2 (HIGH) (I)	M2 (LOW) (I)	M2 (HIGH) (I)	M2 (HIGH) (I)	M2 (HIGH) (I)	53	C13	44	66	C15	56	VO
HDC(HIGH)	HDC(HIGH)	HDC(HIGH)	HDC(HIGH)	HDC(HIGH)	54	B14	45	67	E14	57	VO
LDC (LOW)	LDC (LOW)	LDC (LOW)	LDC (LOW)	LDC (LOW)	56	D14	49	71	D16	61	VO
INIT *	INIT *	INIT *	INIT *	INIT *	62	G14	59	81	H15	77	VO
GND	GND	GND	GND	GND	63	H12	19	83	J14	25	GND
					73	M13	76	99	P15	100	XTL2 - VO
RESET (I)	RESET (I)	RESET (I)	RESET (I)	RESET (I)	75	P14	78	101	R15	102	RESET (I)
DONE	DONE	DONE	DONE	DONE	77	N13	80	103	R14	107	PROG (I)
					78	M12	81	104	N13	109	VO
					79	P13	82	105	T14	110	XTL1 - VO
					80	N11	86	109	P12	115	VO
					84	M9	92	115	T11	122	VO
					85	N9	93	116	R10	123	VO
					86	N8	98	121	R9	128	VO
VCC	VCC	VCC	VCC	VCC	88	M8	100	123	N9	130	VCC
					89	N7	102	125	P8	132	VO
					90	P6	103	126	R8	133	VO
					91	M6	108	131	R7	138	VO
					95	M5	114	137	R5	145	VO
					96	N4	115	138	P5	148	VO
DIN (I)	DIN (I)	DATA 0 (I)	DATA 0 (I)	DATA 0 (I)	97	N2	119	143	R3	151	VO
DOU (I)	DOU (I)	DOU (I)	DOU (I)	DOU (I)	98	M3	120	144	N4	152	VO
CCLK (I)	CCLK	CCLK	CCLK	CCLK	99	P1	121	145	R2	153	CCLK (I)
					2	M2	124	148	P2	161	VO
					3	N1	125	149	M3	162	VO
					5	L2	128	152	P1	165	VO
					6	L1	129	153	N1	166	VO
					9	K1	132	156	M1	172	VO
					10	J2	133	157	L2	173	VO
					11	H1	136	160	K2	178	VO
					12	H2	137	161	K1	179	VO
GND	GND	GND	GND	GND	13	H3	139	164	J3	182	GND
					14	G2	141	2	H2	184	VO
					15	G1	142	3	H1	185	VO
					16	F2	147	8	F2	192	VO
					17	E1	148	9	E1	193	VO
					20	D1	151	12	D1	196	VO
					21	D2	152	13	C1	200	VO
					22	B1	155	16	E3	203	VO
					23	C2	156	17	C2	204	VO
											ATT3020
					X						ATT3030
					X	X					ATT3042
						X	X				ATT3084
							X	X	X	X	ATT3090

 REPRESENTS A 50 kΩ TO 100 kΩ PULL-UP.
 * INIT IS AN OPEN DRAIN OUTPUT DURING CONFIGURATION.
 (I) REPRESENTS AN INPUT

Note: Pin assignments of "PGA Footprint" PLCC sockets and PGA packages are not electrically identical. Generic I/O pins are not shown.

Table 2b. ATT3000 44-Pin PLCC Pinout

44 PLCC	ATT3030
1	GND
2	I/O
3	I/O
4	I/O
5	I/O
6	I/O
7	PWRDWN
8	TCLKIN-I/O
9	I/O
10	I/O
11	I/O
12	Vcc
13	I/O
14	I/O
15	I/O
16	M1- RDATA
17	M0-RTRIG
18	M2-I/O
19	HDC-I/O
20	LDC -I/O
21	I/O
22	INIT -I/O

44 PLCC	ATT3030
23	GND
24	I/O
25	I/O
26	XTL2(IN)-I/O
27	RESET
28	DONE- PROG
29	I/O
30	XTL1(OUT)-BCLKIN
31	I/O
32	I/O
33	I/O
34	Vcc
35	I/O
36	I/O
37	I/O
38	DIN-I/O
39	DOOUT-I/O
40	CCLK
41	I/O
42	I/O
43	I/O
44	I/O

Notes:

Peripheral Mode and Master Parallel Mode are not supported in the M44 Package.
Parallel address and data pins are not assigned.

Table 2c. ATT3000 Family 68-Pin PLCC, 84-Pin PLCC Pinouts, and 84-Pin PGA Pinouts

68 PLCC	ATT3020 ATT3030, ATT3042	84 PLCC	84 PGA
10	PWRDN	12	B2
11	TCLKIN-I/O	13	C2
—	I/O*	14	B1
12	I/O	15	C1
13	I/O	16	D2
—	I/O	17	D1
14	I/O	18	E3
15	I/O	19	E2
16	I/O	20	E1
17	I/O	21	F2
18	Vcc	22	F3
19	I/O	23	G3
—	I/O	24	G1
20	I/O	25	G2
21	I/O	26	F1
22	I/O	27	H1
—	I/O	28	H2
23	I/O	29	J1
24	I/O	30	K1
25	M1- RDATA	31	J2
26	M0-RTRIG	32	L1
27	M2-I/O	33	K2
28	HDC-I/O	34	K3
29	I/O	35	L2
30	LDC -I/O	36	L3
31	I/O	37	K4
—	I/O*	38	L4
32	I/O	39	J5
33	I/O	40	K5
—	I/O*	41	L5
34	INIT -I/O	42	K6
35	GND	43	J6
36	I/O	44	J7
37	I/O	45	L7
38	I/O	46	K7
39	I/O	47	L6
40	I/O	48	L8
41	I/O	49	K8
—	I/O*	50	L9
—	I/O*	51	L10
42	I/O	52	K9
43	XTL2(IN)-I/O	53	L11

68 PLCC	ATT3020 ATT3030, ATT3042	84 PLCC	84 PGA
44	RESET	54	K10
45	DONE- PROG	55	J10
46	D7-I/O	56	K11
47	XTL1(OUT)-BCLKIN-I/O	57	J11
48	D6-I/O	58	H10
—	I/O	59	H11
49	D5-I/O	60	F10
50	CS0 -I/O	61	G10
51	D4-I/O	62	G11
—	I/O	63	G9
52	Vcc	64	F9
53	D3-I/O	65	F11
54	CS1 -I/O	66	E11
55	D2-I/O	67	E10
—	I/O	68	E9
—	I/O*	69	D11
56	D1-I/O	70	D10
57	RDY/ BUSY - RCLK -I/O	71	C11
58	D0-DIN-I/O	72	B11
59	DOUT-I/O	73	C10
60	CCLK	74	A11
61	A0- WS -I/O	75	B10
62	A1-CS2-I/O	76	B9
63	A2-I/O	77	A10
64	A3-I/O	78	A9
—	I/O*	79	B8
—	I/O*	80	A8
65	A15-I/O	81	B6
66	A4-I/O	82	B7
67	A14-I/O	83	A7
68	A5-I/O	84	C7
1	GND	1	C6
2	A13-I/O	2	A6
3	A6-I/O	3	A5
4	A12-I/O	4	B5
5	A7-I/O	5	C5
—	I/O*	6	A4
—	I/O*	7	B4
6	A11-I/O	8	A3
7	A8-I/O	9	A2
8	A10-I/O	10	B3
9	A9-I/O	11	A1

* Indicates unconnected package pins for the ATT3020.

Note: Unprogrammed IOBs have a default pull-up. This prevents an undefined pad level for unbonded or unused IOBs. Programmed outputs are default slew-limited.

Table 2d. ATT3064 /ATT3090 84-Pin PLCC Pinouts

PLCC Pin Number	ATT3064 ATT3090
12	PWRDN
13	TCLKIN-I/O
14	I/O
15	I/O
16	I/O
17	I/O
18	I/O
19	I/O
20	I/O
21	GND*
22	Vcc
23	I/O
24	I/O
25	I/O
26	I/O
27	I/O
28	I/O
29	I/O
30	I/O
31	M1- RDATA
32	M0-RTRIG
33	M2-I/O
34	HDC-I/O
35	I/O
36	LDC -I/O
37	I/O
38	I/O
39	I/O
40	I/O
41	INIT/I/O*
42	Vcc*
43	GND
44	I/O
45	I/O
46	I/O
47	I/O
48	I/O
49	I/O
50	I/O
51	I/O
52	I/O
53	XTL2(IN)-I/O

PLCC Pin Number	ATT3064 ATT3090
54	RESET
55	DONE- PROG
56	D7-I/O
57	XTL1(OUT)-BCLKIN-I/O
58	D6-I/O
59	I/O
60	D5-I/O
61	CS0 -I/O
62	D4-I/O
63	I/O
64	Vcc
65	GND*
66	D3 -I/O*
67	CS1-I/O*
68	D2-I/O*
69	I/O
70	D1-I/O
71	RDY/ BUSY - RCLK -I/O
72	D0-DIN-I/O
73	DOUT-I/O
74	CCLK
75	A0- WS -I/O
76	A1-CS2-I/O
77	A2-I/O
78	A3-I/O
76	I/O
80	I/O
81	A15-I/O
82	A4-I/O
83	A14-I/O
84	A5-I/O
1	GND
2	Vcc*
3	A13-I/O*
4	A6-I/O*
5	A12-I/O*
6	A7-I/O*
7	I/O
8	A11-I/O
9	A8-I/O
10	A10-I/O
11	A9-I/O

* Different pin definition than 3020/3030/3042 PC84 package.

Note: Unprogrammed IOBs have a default pull-up. This prevents an undefined pad level for unbonded or unused IOBs. Programmed outputs are default slew-limited.

Table 2a. ATT3000 Family 100-Pin QFP Pinouts

Pin Number		ATT3020 ATT3030 ATT3042	Pin Number		ATT3020 ATT3030 ATT3042	Pin Number		ATT3020 ATT3030 ATT3042
CQFP	PQFP		CQFP	PQFP		CQFP	PQFP	
1	16	GND	35*	50*	I/O	69*	84*	I/O
2	17	A13-I/O	36*	51*	I/O	70*	85*	I/O
3	18	A6-I/O	37	52	M1- RD	71	86	I/O
4	19	A12-I/O	38	53*	GND	72	87	D5-I/O
5	20	A7-I/O	39	54	M0-RT	73	88	CS0 -I/O
6*	21*	I/O	40	55*	Vcc	74	89	D4-I/O
7*	22*	I/O	41	56	M2-I/O	75	90	I/O
8	23	A11-I/O	42	57	HDC-I/O	76	91	Vcc
9	24	A8-I/O	43	58	I/O	77	92	D3-I/O
10	25	A10-I/O	44	59	LDC -I/O	78	93	CS1 -I/O
11	26	A9-I/O	45*	60*	I/O	79	94	D2-I/O
12	27*	Vcc	46*	61*	I/O	80	95	I/O
13	28*	GND	47	62	I/O	81*	96*	I/O
14	29	PWRDN	48	63	I/O	82*	97*	I/O
15	30	TCLKIN-I/O	49	64	I/O	83	98	D1-I/O
16**	31*	I/O	50	65	INIT -I/O	84	99	RCLK -RDY/ BUSY -I/O
17*	32*	I/O	51	66	GND	85	100	D0-DIN-I/O
18*	33*	I/O	52	67	I/O	86	1	DOU-I/O
19	34	I/O	53	68	I/O	87	2	CCLK
20	35	I/O	54	69	I/O	88	3*	Vcc
21	36	I/O	55	70	I/O	89	4*	GND
22	37	I/O	56	71	I/O	90	5	A0- WS -I/O
23	38	I/O	57	72	I/O	91	6	A1-CS2-I/O
24	39	I/O	58	73	I/O	92*	7**	I/O
25	40	I/O	59*	74*	I/O	93	8	A2-I/O
26	41	Vcc	60*	75*	I/O	94	9	A3-I/O
27	42	I/O	61	76	XTAL2-I/O	95*	10*	I/O
28	43	I/O	62	77*	GND	96*	11*	I/O
29	44	I/O	63	78	RESET	97	12	A15-I/O
30	45	I/O	64	79*	Vcc	98	13	A4-I/O
31	46	I/O	65	80	DONE- PROG	99	14	A14-I/O
32	47	I/O	66	81	D7-I/O	100	15	A5-I/O
33	48	I/O	67	82	XTAL1-BCLKIN-I/O			
34	49	I/O	68	83	D6-I/O			

* This table describes the pinouts of three different chips in two different packages. The third column lists 100 of the 118 pads on the ATT3042 that are connected to the 100 package pins. Two pads, indicated by double asterisks, do not exist on the ATT3030, which has 98 pads; therefore the corresponding pins have no connections. Twenty-six pads, indicated by single or double asterisks, do not exist on the ATT3020, which has 74 pads; therefore, the corresponding pins have no connections. (See Table 2c.)

Note: Unprogrammed IOBs have a default pull-up. This prevents an undefined pad level for unbonded or unused IOBs. Programmed outputs are default slew-limited. The 3030 is not available in a 100-pin CQFP.

Table 2f. ATT3000 Family 100-Pin TQFP Pinouts

Pin Number	ATT3030 ATT3042
TQFP	
13	GND
14	A13-I/O
15	A6-I/O
16	A12-I/O
17	A7-I/O
18	I/O
19	I/O
20	A11-I/O
21	A8-I/O
22	A10-I/O
23	A9-I/O
24	Vcc
25	GND
26	PWRDN
27	TCLKIN-I/O
28	I/O*
29	I/O
30	I/O
31	I/O
32	I/O
33	I/O
34	I/O
35	I/O
36	I/O
37	I/O
38	Vcc
39	I/O
40	I/O
41	I/O
42	I/O
43	I/O
44	I/O
45	I/O
46	I/O

Pin Number	ATT3030 ATT3042
TQFP	
47	I/O
48	I/O
49	M1- RD
50	GND
51	M0-RT
52	Vcc
53	M2-I/O
54	HDC-I/O
55	I/O
56	LDC -I/O
57	I/O
58	I/O
59	I/O
60	I/O
61	I/O
62	INIT -I/O
63	GND
64	I/O
65	I/O
66	I/O
67	I/O
68	I/O
69	I/O
70	I/O
71	I/O
72	I/O
73	XTAL2-I/O
74	GND
75	RESET
76	Vcc
77	DONE- PROG
78	D7-I/O
79	XTAL1-BCLKIN-I/O
80	D6-I/O

Pin Number	ATT3030 ATT3042
TQFP	
81	I/O
82	I/O
83	I/O
84	D5-I/O
85	CS0 -I/O
86	D4-I/O
87	I/O
88	Vcc
89	D3-I/O
90	CS1 -I/O
91	D2-I/O
92	I/O
93	I/O
94	I/O
95	D1-I/O
96	RCLK -RDY/ BUSY -I/O*
97	D0-DIN-I/O
98	DOUT-I/O
99	CCLK
100	Vcc
1	GND
2	A0- WS -I/O
3	A1-CS2-I/O
4	I/O*
5	A2-I/O
6	A3-I/O
7	I/O
8	I/O
9	A15-I/O
10	A4-I/O
11	A14-I/O
12	A5-I/O

* Indicates unconnected package pins for the ATT3030.

Note: Unprogrammed IOBs have a default pull-up. This prevents an undefined pad level for unbonded or unused IOBs. Programmed outputs are default slew-limited. DEVICE POWER MUST BE LESS THAN 1 WATT FOR COMMERCIAL TEMPERATURE RANGE, AND LESS THAN 0.8 WATTS FOR INDUSTRIAL TEMPERATURE RANGE.

Table 2g. ATT3000 Family 132-Pin PGA Pinouts

PGA Pin Number	ATT3042 ATT3064	PGA Pin Number	ATT3042 ATT3064	PGA Pin Number	ATT3042 ATT3064	PGA Pin Number	ATT3042 ATT3064
C4	GND	B13	M1- RD	P14	RESET	M3	DOUT-I/O
A1	PWRDN	C11	GND	M11	Vcc	P1	CCLK
C3	TCLKIN-I/O	A14	M0-RT	N13	DONE- PROG	M4	Vcc
B2	I/O	D12	Vcc	M12	D7-I/O	L3	GND
B3	I/O	C13	M2-I/O	P13	XTAL1-BCLKIN-I/O	M2	A0- WS -I/O
A2	I/O*	B14	HDC-I/O	N12	I/O	N1	A1-CS2-I/O
B4	I/O	C14	I/O	P12	I/O	M1	I/O
C5	I/O	E12	I/O	N11	D6-I/O	K3	I/O
A3	I/O*	D13	I/O	M10	I/O	L2	A2-I/O
A4	I/O	D14	LDC -I/O	P11	I/O*	L1	A3-I/O
B5	I/O	E13	I/O*	N10	I/O	K2	I/O
C6	I/O	F12	I/O	P10	I/O	J3	I/O
A5	I/O	E14	I/O	M9	D5-I/O	K1	A15-I/O
B6	I/O	F13	I/O	N9	CS0 -I/O	J2	A4-I/O
A6	I/O	F14	I/O	P9	I/O*	J1	I/O*
B7	I/O	G13	I/O	P8	I/O*	H1	A14-I/O
C7	GND	G14	INIT -I/O	N8	D4-I/O	H2	A5-I/O
C8	Vcc	G12	Vcc	P7	I/O	H3	GND
A7	I/O	H12	GND	M8	Vcc	G3	Vcc
B8	I/O	H14	I/O	M7	GND	G2	A13-I/O
A8	I/O	H13	I/O	N7	D3-I/O	G1	A6-I/O
A9	I/O	J14	I/O	P6	CS1 -I/O	F1	I/O*
B9	I/O	J13	I/O	N6	I/O*	F2	A12-I/O
C9	I/O	K14	I/O	P5	I/O*	E1	A7-I/O
A10	I/O	J12	I/O	M6	D2-I/O	F3	I/O
B10	I/O	K13	I/O	N5	I/O	E2	I/O
A11	I/O*	L14	I/O*	P4	I/O	D1	A11-I/O
C10	I/O	L13	I/O	P3	I/O	D2	A8-I/O
B11	I/O	K12	I/O	M5	D1-I/O	E3	I/O
A12	I/O*	M14	I/O	N4	RCLK -RDY/ BUSY -I/O	C1	I/O
B12	I/O	N14	I/O	P2	I/O	B1	A10-I/O
A13	I/O*	M13	XTAL2(IN)-I/O	N3	I/O	C2	A9-I/O
C12	I/O	L12	GND	N2	D0-DIN-I/O	D3	Vcc

* Indicates unconnected package pins for the ATT3042.

Note: Unprogrammed IOBs have a default pull-up. This prevents an undefined pad level for unbonded or unused IOBs. Programmed outputs are default slew-limited.

Table 2h. ATT3000 Family 160-Pin PQFP Pinout

PQFP Pin No.	ATT3064 ATT3090	PQFP Pin No.	ATT3064 ATT3090	PQFP Pin No.	ATT3064 ATT3090	PQFP Pin No.	ATT3064 ATT3090
1	I/O*	41	GND	81	D7-I/O	121	CCLK
2	I/O*	42	M0-RTRIG	82	XTAL1-BCLKIN-I/O	122	Vcc
3	I/O*	43	VCC	83	I/O*	123	GND
4	I/O	44	M2-I/O	84	I/O	124	A0- WS -I/O
5	I/O	45	HDC-I/O	85	I/O	125	A1-CS2-I/O
6	I/O	46	I/O	86	D6-I/O	126	I/O
7	I/O	47	I/O	87	I/O	127	I/O
8	I/O	48	I/O	88	I/O	128	A2-I/O
9	I/O	49	LDC -I/O	89	I/O	129	A3-I/O
10	I/O	50	I/O*	90	I/O	130	I/O
11	I/O	51	I/O*	91	I/O	131	I/O
12	I/O	52	I/O	92	D5-I/O	132	A15-I/O
13	I/O	53	I/O	93	CS0 -I/O	133	A4-I/O
14	I/O	54	I/O	94	I/O*	134	I/O
15	I/O	55	I/O	95	I/O*	135	I/O
16	I/O	56	I/O	96	I/O	136	A14-I/O
17	I/O	57	I/O	97	I/O	137	A5-I/O
18	I/O	58	I/O	98	D4-I/O	138	I/O*
19	GND	59	INIT -I/O	99	I/O	139	GND
20	Vcc	60	Vcc	100	Vcc	140	Vcc
21	I/O*	61	GND	101	GND	141	A13-I/O
22	I/O	62	I/O	102	D3-I/O	142	A6-I/O
23	I/O	63	I/O	103	CS1 -I/O	143	I/O*
24	I/O	64	I/O	104	I/O	144	I/O*
25	I/O	65	I/O	105	I/O	145	I/O
26	I/O	66	I/O	106	I/O*	146	I/O
27	I/O	67	I/O	107	I/O*	147	A12-I/O
28	I/O	68	I/O	108	D2-I/O	148	A7-I/O
29	I/O	69	I/O	109	I/O	149	I/O
30	I/O	70	I/O	110	I/O	150	I/O
31	I/O	71	I/O	111	I/O	151	A11-I/O
32	I/O	72	I/O	112	I/O	152	A8-I/O
33	I/O	73	I/O	113	I/O	153	I/O
34	I/O	74	I/O	114	D1-I/O	154	I/O
35	I/O	75	I/O*	115	RCLK -RDY/ BUSY	155	A10-I/O
36	I/O	76	XTAL2-I/O	116	I/O	156	A9-I/O
37	I/O	77	GND	117	I/O	157	Vcc
38	I/O*	78	RESET	118	I/O*	158	GND
39	I/O*	79	Vcc	119	D0-DIN-I/O	159	PWRDWN
40	M1- RDATA	80	DONE- PROG	120	DOUT-I/O	160	TCLKIN-I/O

* Not connected on ATT3064.

Note: Unprogrammed IOBs have a default pull-up. This prevents an undefined pad level for unbonded or unused IOBs. Programmed outputs are default slew-limited. DEVICE POWER MUST BE LESS THAN 1 WATT FOR COMMERCIAL TEMPERATURE RANGE, AND LESS THAN 0.8 WATTS FOR INDUSTRIAL TEMPERATURE RANGE.

Table 21. ATT3000 Family 164-Pin CQFP Pinouts

CQFP Pin No.	ATT3090	CQFP Pin No.	ATT3090	CQFP Pin No.	ATT3090	CQFP Pin No.	ATT3090
20	PWRDWN	61	I/O	103	DONE- PROG	143	D0-DIN-I/O
21	TCLKIN-I/O	62	M1- RDATA	104	D7-I/O	144	DOUT-I/O
22	I/O	63	GND	105	XTAL1(OUT)-BCLKIN-I/O	145	CCLK
23	I/O	64	M0-RTRIG	106	I/O	146	Vcc
24	I/O	65	Vcc	107	I/O	147	GND
25	I/O	66	M2-I/O	108	I/O	148	A0- WS -I/O
26	I/O	67	HDC-I/O	109	D6-I/O	149	A1-CS2-I/O
27	I/O	68	I/O	110	I/O	150	I/O
28	I/O	69	I/O	111	I/O	151	I/O
29	I/O	70	I/O	112	I/O	152	A2-I/O
30	I/O	71	LDC -I/O	113	I/O	153	A3-I/O
31	I/O	72	I/O	114	I/O	154	I/O
32	I/O	73	I/O	115	D5-I/O	155	I/O
33	I/O	74	I/O	116	CS0 -I/O	156	A15-I/O
34	I/O	75	I/O	117	I/O	157	A4-I/O
35	I/O	76	I/O	118	I/O	158	I/O
36	I/O	77	I/O	119	I/O	159	I/O
37	I/O	78	I/O	120	I/O	160	A14-I/O
38	I/O	79	I/O	121	D4-I/O	161	A5-I/O
39	I/O	80	I/O	122	I/O	162	I/O
40	I/O	81	INIT -I/O	123	Vcc	163	I/O
41	GND	82	Vcc	124	GND	164	GND
42	Vcc	83	GND	125	D3-I/O	1	Vcc
43	I/O	84	I/O	126	CS1 -I/O	2	A13-I/O
44	I/O	85	I/O	127	I/O	3	A6-I/O
45	I/O	86	I/O	128	I/O	4	I/O
46	I/O	87	I/O	129	I/O	5	I/O
47	I/O	88	I/O	130	I/O	6	I/O
48	I/O	89	I/O	131	D2-I/O	7	I/O
49	I/O	90	I/O	132	I/O	8	A12-I/O
50	I/O	91	I/O	133	I/O	9	A7-I/O
51	I/O	92	I/O	134	I/O	10	I/O
52	I/O	93	I/O	135	I/O	11	I/O
53	I/O	94	I/O	136	I/O	12	A11-I/O
54	I/O	95	I/O	137	D1-I/O	13	A8-I/O
55	I/O	96	I/O	138	RDY/ BUSY - RCLK -I/O	14	I/O
56	I/O	97	I/O	139	I/O	15	I/O
57	I/O	98	I/O	140	I/O	16	A10-I/O
58	I/O	99	XTAL2(IN)-I/O	141	I/O	17	A9-I/O
59	I/O	100	GND	142	I/O	18	Vcc
60	I/O	101	RESET			19	GND
		102	Vcc				

Note: Unprogrammed IOBs have a default pull-up. This prevents an undefined pad level for unbonded or unused IOBs. Programmed outputs are default slew-limited.

Table 2j. ATT3000 Family 175-Pin PGA Pinouts

PGA Pin No.	ATT3090	PGA Pin No.	ATT3090	PGA Pin No.	ATT3090	PGA Pin No.	ATT3090
B2	PWRDWN	D13	I/O	R14	DONE- PROG	R3	D0-DIN-I/O
D4	TCLKIN-I/O	B14	M1- RDATA	N13	D7-I/O	N4	DOOUT-I/O
B3	I/O	C14	GND	T14	XTAL1(OUT)-BCLKIN-I/O	R2	CCLK
C4	I/O	B15	M0-RTRIG	P13	I/O	P3	Vcc
B4	I/O	D14	Vcc	R13	I/O	N3	GND
A4	I/O	C15	M2-I/O	T13	I/O	P2	A0- WS -I/O
D5	I/O	E14	HDC-I/O	N12	I/O	M3	A1-CS2-I/O
C5	I/O	B16	I/O	P12	D6-I/O	R1	I/O
B5	I/O	D15	I/O	R12	I/O	N2	I/O
A5	I/O	C16	I/O	T12	I/O	P1	A2-I/O
C6	I/O	D16	LDC -I/O	P11	I/O	N1	A3-I/O
D6	I/O	F14	I/O	N11	I/O	L3	I/O
B6	I/O	E15	I/O	R11	I/O	M2	I/O
A6	I/O	E16	I/O	T11	D5-I/O	M1	A15-I/O
B7	I/O	F15	I/O	R10	CS0 -I/O	L2	A4-I/O
C7	I/O	F16	I/O	P10	I/O	L1	I/O
D7	I/O	G14	I/O	N10	I/O	K3	I/O
A7	I/O	G15	I/O	T10	I/O	K2	A14-I/O
A8	I/O	G16	I/O	T9	I/O	K1	A5-I/O
B8	I/O	H16	I/O	R9	D4-I/O	J1	I/O
C8	I/O	H15	INIT -I/O	P9	I/O	J2	I/O
D8	GND	H14	Vcc	N9	Vcc	J3	GND
D9	Vcc	J14	GND	N8	GND	H3	Vcc
C9	I/O	J15	I/O	P8	D3-I/O	H2	A13-I/O
B9	I/O	J16	I/O	R8	CS1 -I/O	H1	A6-I/O
A9	I/O	K16	I/O	T8	I/O	G1	I/O
A10	I/O	K15	I/O	T7	I/O	G2	I/O
D10	I/O	K14	I/O	N7	I/O	G3	I/O
C10	I/O	L16	I/O	P7	I/O	F1	I/O
B10	I/O	L15	I/O	R7	D2-I/O	F2	A12-I/O
A11	I/O	M16	I/O	T6	I/O	E1	A7-I/O
B11	I/O	M15	I/O	R6	I/O	E2	I/O
D11	I/O	L14	I/O	N6	I/O	F3	I/O
C11	I/O	N16	I/O	P6	I/O	D1	A11-I/O
A12	I/O	P16	I/O	T5	I/O	C1	A8-I/O
B12	I/O	N15	I/O	R5	D1-I/O	D2	I/O
C12	I/O	R16	I/O	P5	RDY/ BUSY - RCLK -I/O	B1	I/O
D12	I/O	M14	I/O	N5	I/O	E3	A10-I/O
A13	I/O	P15	XTAL2(IN)-I/O	T4	I/O	C2	A9-I/O
B13	I/O	N14	GND	R4	I/O	D3	Vcc
C13	I/O	R15	RESET	P4	I/O	C3	GND
A14	I/O	P14	Vcc				

Notes: Unprogrammed IOBs have a default pull-up. This prevents an undefined pad level for unbonded or unused IOBs. Programmed outputs are default slew-limited.

Pins A2, A3, A15, A16, T1, T2, T3, T15, and T16 are not connected. Pin A1 does not exist.

Table 2k. ATT3000 Family 208-Pin SQFP Pinouts

QFP Pin No.	ATT3090	QFP Pin No.	ATT3090	QFP Pin No.	ATT3090	QFP Pin No.	ATT3090
1	NC*	53	NC	105	NC	157	NC
2	GND	54	NC	106	Vcc	158	NC
3	POWERDOWN	55	Vcc	107	DONE- PROG	159	NC
4	TCLKIN-I/O	56	M2-I/O	108	NC	160	GND
5	I/O	57	HDC-I/O	109	I/O-D7	161	I/O- WS -A0
6	I/O	58	I/O	110	I/O-XTAL-BCLKIN	162	I/O-CS2-A1
7	I/O	59	I/O	111	I/O	163	I/O
8	I/O	60	I/O	112	I/O	164	I/O
9	I/O	61	LDC -I/O	113	I/O	165	I/O-A2
10	I/O	62	I/O	114	I/O	166	I/O-A3
11	I/O	63	I/O	115	I/O-D6	167	I/O
12	I/O	64	NC	116	I/O	168	I/O
13	I/O	65	NC	117	I/O	169	NC
14	I/O	66	NC	118	I/O	170	NC
15	NC	67	NC	119	NC	171	NC
16	I/O	68	I/O	120	I/O	172	I/O-A15
17	I/O	69	I/O	121	I/O	173	I/O-A4
18	I/O	70	I/O	122	I/O-D5	174	I/O
19	I/O	71	I/O	123	I/O- CS0	175	I/O
20	I/O	72	NC	124	I/O	176	NC
21	I/O	73	NC	125	I/O	177	NC
22	I/O	74	I/O	126	I/O	178	I/O-A14
23	I/O	75	I/O	127	I/O	179	I/O-A5
24	I/O	76	I/O	128	I/O-D4	180	I/O
25	GND	77	INIT -I/O	129	I/O	181	I/O
26	Vcc	78	Vcc	130	Vcc	182	GND
27	I/O	79	GND	131	GND	183	Vcc
28	I/O	80	I/O	132	I/O-D3	184	I/O-A13
29	I/O	81	I/O	133	I/O- CS1	185	I/O-A6
30	I/O	82	I/O	134	I/O	186	I/O
31	I/O	83	NC	135	I/O	187	I/O
32	I/O	84	NC	136	I/O	188	NC
33	I/O	85	I/O	137	I/O	189	NC
34	I/O	86	I/O	138	I/O-D2	190	I/O
35	I/O	87	I/O	139	I/O	191	I/O
36	I/O	88	I/O	140	I/O	192	I/O-A12
37	NC	89	I/O	141	I/O	193	I/O-A7
38	I/O	90	NC	142	NC	194	NC
39	I/O	91	NC	143	I/O	195	NC
40	I/O	92	NC	144	I/O	196	NC
41	I/O	93	I/O	145	I/O-D1	197	I/O
42	I/O	94	I/O	146	RCLK -RDY BUSY -I/O	198	I/O
43	I/O	95	I/O	147	I/O	199	I/O-A11
44	I/O	96	I/O	148	I/O	200	I/O-A8
45	I/O	97	I/O	149	I/O	201	I/O
46	I/O	98	I/O	150	I/O	202	I/O
47	I/O	99	I/O	151	I/O-DIN-D0	203	I/O-A10
48	M1- RDATA	100	XTAL2-I/O	152	I/O-DOUT	204	I/O-A9
49	GND	101	GND	153	CCLK	205	Vcc
50	M0-RTRIG	102	RESET	154	Vcc	206	NC
51	NC	103	NC	155	NC	207	NC
52	NC	104	NC	156	NC	208	NC

* NC = no connect.

Note: Unprogrammed IOBs have a default pull-up. This prevents an undefined pad level for unbonded or unused IOBs. Programmed outputs are default slew-limited. DEVICE POWER MUST BE LESS THAN 1 WATT FOR COMMERCIAL TEMPERATURE RANGE, AND LESS THAN 0.8 WATTS FOR INDUSTRIAL TEMPERATURE RANGE.

Parametrics

Absolute Maximum Ratings

Stresses in excess of the Absolute Maximum Ratings can cause permanent damage to the device. These are absolute stress ratings only. Functional operation of the device is not implied at these or any other conditions in excess of those given in the operational sections of the data sheet. Exposure to Absolute Maximum Ratings for extended periods can adversely affect device reliability.

Symbol	Parameter	Limit	Units
V _{CC}	Supply voltage relative to GND	-0.5 to 7.0	V
V _{IN}	Input voltage with respect to GND	-0.5 to V _{CC} + 0.5	V
V _{TS}	Voltage applied to three-state output	-0.5 to V _{CC} + 0.5	V
T _{STG}	Storage temperature (ambient)	-65 to + 150	°C
T _{SOL}	Maximum soldering temperature (10 sec @ 1/16 in.)	+ 260	°C
T _J	Junction temperature plastic	+ 125	°C
	Junction temperature ceramic	+ 150	°C

Recommended Operating Conditions

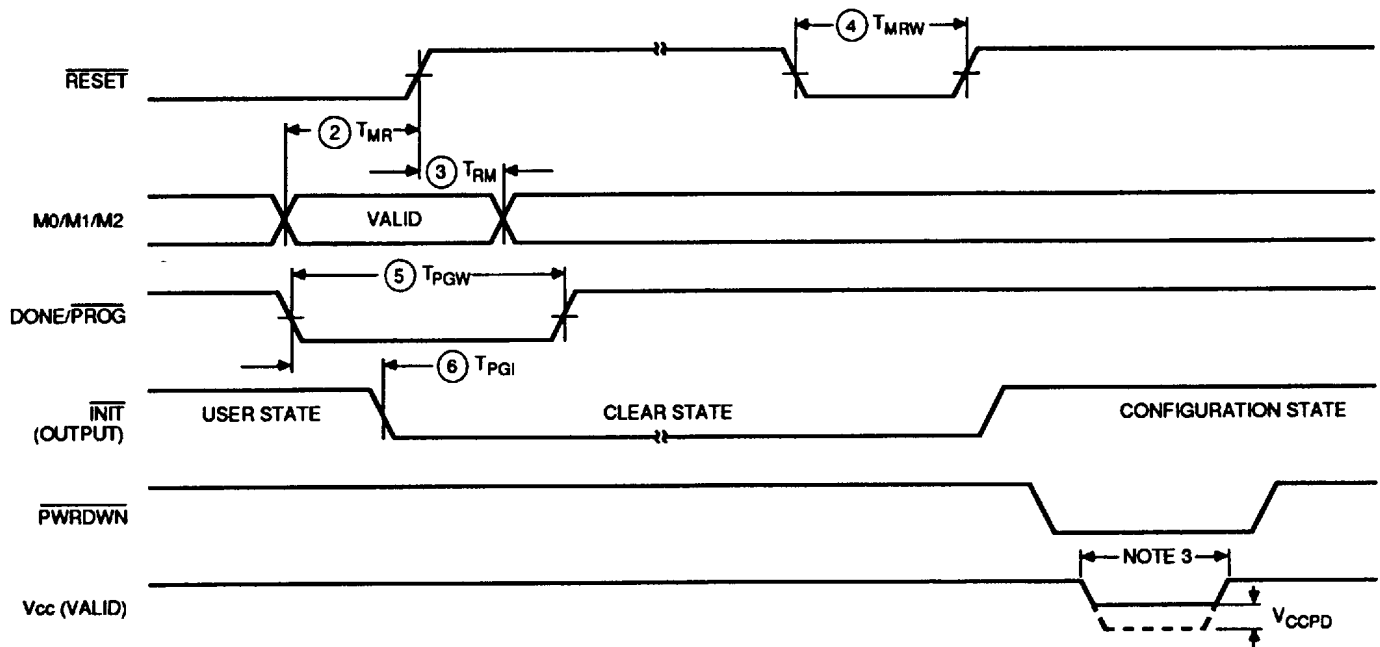
Symbol	Parameter		Min	Max	Units
V _{CC}	Supply voltage relative to GND	Commercial	4.75	5.25	V
		Industrial	4.5	5.5	V
V _{IHT}	High-level input voltage — TTL configuration		2.0	V _{CC}	V
V _{ILT}	Low-level input voltage — TTL configuration		0	0.8	V
V _{IHC}	High-level input voltage — CMOS configuration		70%	100%	V _{CC}
V _{ILC}	Low-level input voltage — CMOS configuration		0	20%	V _{CC}
T _{IN}	Input signal transition time			250	ns
T _A	Ambient Temperature Range	Commercial	0	+70	°C
		Industrial	-40	+85	°C

Electrical Characteristics Over Operating Conditions

Symbol	Parameter/Conditions		Min	Max	Units
VOH	High-level output voltage (@ IOH = -4.0 mA, VCC min) (@ IOH = -8.0 mA, VCC min)	Commercial	3.86		V
			3.86		V
VOL	Low-level output voltage (@ IOH = 4.0 mA, VCC min) (@ IOH = 8.0 mA, VCC min)			0.4	V
				0.32	V
VOH	High-level output voltage (@ IOL = -4.0 mA, VCC min) (@ IOH = -8.0 mA, VCC min)	Industrial	3.76		V
			3.76		V
VOL	Low-level output voltage (@ IOL = 4.0 mA, VCC min) (@ IOH = 8.0 mA, VCC min)			0.4	V
				0.37	V
VCCPD	Power-down supply voltage ($\overline{\text{PWRDWN}}$ must be Low)		2.3		V
ICCPD	Power-down supply current (VCC = 5.0 V @ 70 °C)	ATT3020		50	μA
		ATT3030		80	μA
		ATT3042		120	μA
		ATT3064		170	μA
		ATT3090		250	μA
ICCO	Quiescent FPGA supply current in addition to ICCPD*				
	Chip thresholds programmed as CMOS levels			500	μA
	Chip thresholds programmed as TTL levels			15	mA
IL	Leakage Current		-10	+10	μA
CIN	Input capacitance, all packages except PGA 175 (sample tested) All Pins except XTL1 and XTL2 XTL1 and XTL2			10	pf
				15	pf
	Input capacitance, PGA 175 (sample tested) All Pins except XTL1 and XTL2 XTL1 and XTL2			15	pf
				20	pf
IRIN	Pad pull-up (when selected) @ VIN = 0 V (sample tested)		0.02	0.17	mA
IRLL	Horizontal long line pull-up (when selected) @ logic LOW		0.2	2.5	mA

* With no output current loads, no active input or long line pull-up resistors, all package pins at VCC or GND, and the FPGA configured with a MAKEBITS tie option. See FPGA power chart for additional activity-dependent operating component.

General FPGA Switching Characteristics



2271 30

Signal	Description	Speed (4)		150		200		230		Unit
		Symbol	Min	Max	Min	Max	Min	Max		
RESET (2)	M0, M1, M2 setup time required	2	TMR	1		1		1		μs
	M0, M1, M2 hold time required	3	TRM	1		1		1		μs
	RESET Width (Low) req. for Abort	4	TMRW	6		6		6		μs
DONE/ PROG	Width (Low) required for Re-config.	5	TPGW	6		6		6		μs
	INIT response after D/ P is pulled Low	6	TPGI		7		7		7	μs
PWRDWN (3)	Powerdown Vcc		VCCPD	2.3		2.3		2.3		V

■ = Preliminary.

Notes:

- At power-up, Vcc must rise from 2.0 V to Vcc minimum in less than 25 ms. If this is not possible, configuration can be delayed by holding RESET Low until Vcc has reached 4.0 V. A very long Vcc rise time of >100 ms, or a non-monotonically rising Vcc may require a >1 μs High level on RESET, followed by a >6 μs Low level on RESET and D/P after Vcc has reached 4.0 V.
- RESET timing relative to valid mode lines (M0, M1, M2) is relevant when RESET is used to delay configuration.
- PWRDWN transitions must occur while Vcc > 4.0 V.

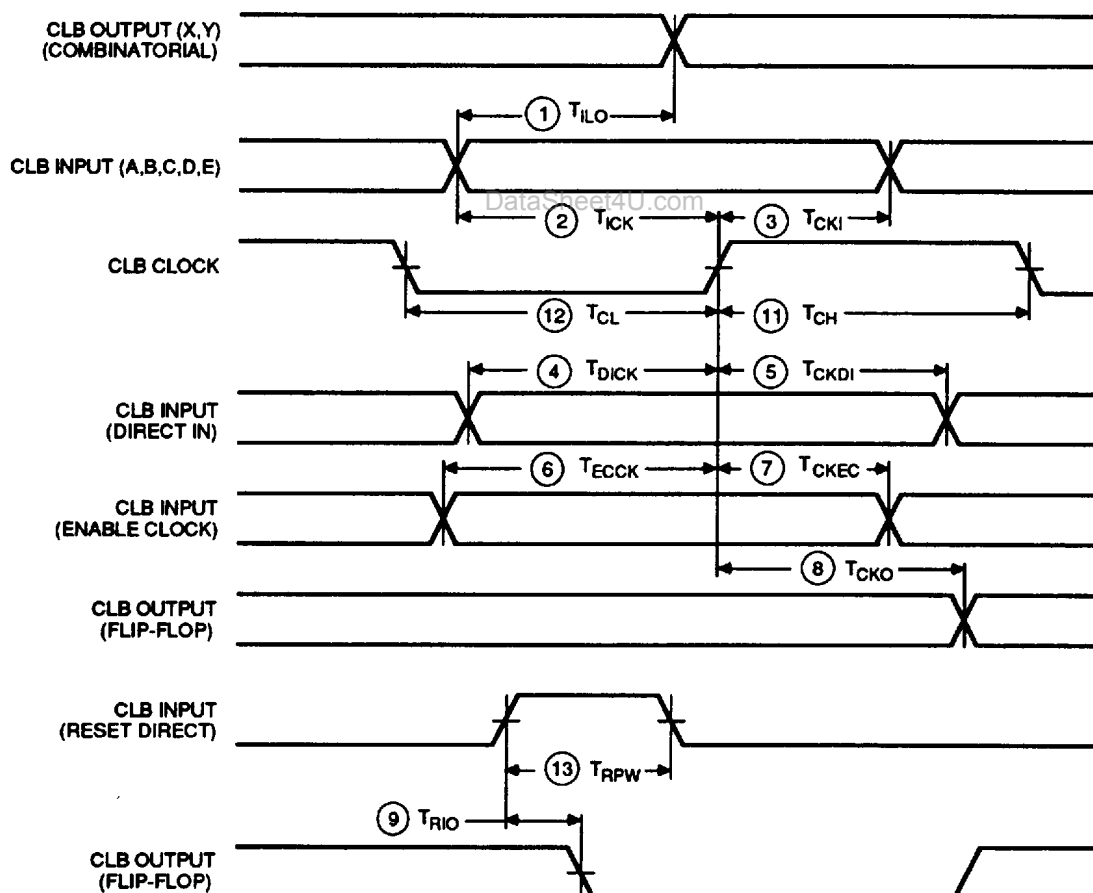
Buffer (Internal) Switching Characteristic Guidelines

Description	Speed Grade	150	200	230	Units
	Symbol	Max	Max	Max	
Global and Alternate Clock Distribution*					
Either: Normal IOB input pad to clock buffer input	TPID	6.8	6.5	5.6	ns
Or: Fast (CMOS only) input pad to clock buffer input	TPIDC	5.5	5.1	4.3	ns
TBUF driving a Horizontal Long line (L.L.)*					
I to L.L. while T is Low (buffer active)	TIO	4.1	3.7	3.1	ns
T↓ to L.L. active and valid with single pull-up resistor	TON	5.6	5	4.2	ns
T↓ to L.L. active and valid with pair of pull-up resistors	TON	7.1	6.5	5.7	ns
T↑ to L.L. High with single pull-up resistor	TPUS	15.6	13.5	11.4	ns
T↑ to L.L. High with pair of pull-up resistors	TPUF	12	10.5	8.8	ns
BIDI					
Bidirectional buffer delay	TBIDI	1.4	1.2	1.0	ns

* Timing is based on the ATT3042; for other devices, see XACT timing calculator.

□ = Preliminary.

CLB Switching Characteristic Guidelines



2271 27

CLB Switching Characteristic Guidelines (continued)

Testing of the switching characteristic guidelines is modeled after testing specified by MIL-M-38510/605. Devices are 100% functionally tested. Benchmark timing patterns are used to provide correlation to the switching characteristic guideline values. Actual worst-case timing is provided by the *XACT* Timing calculator or Simulation modeling.

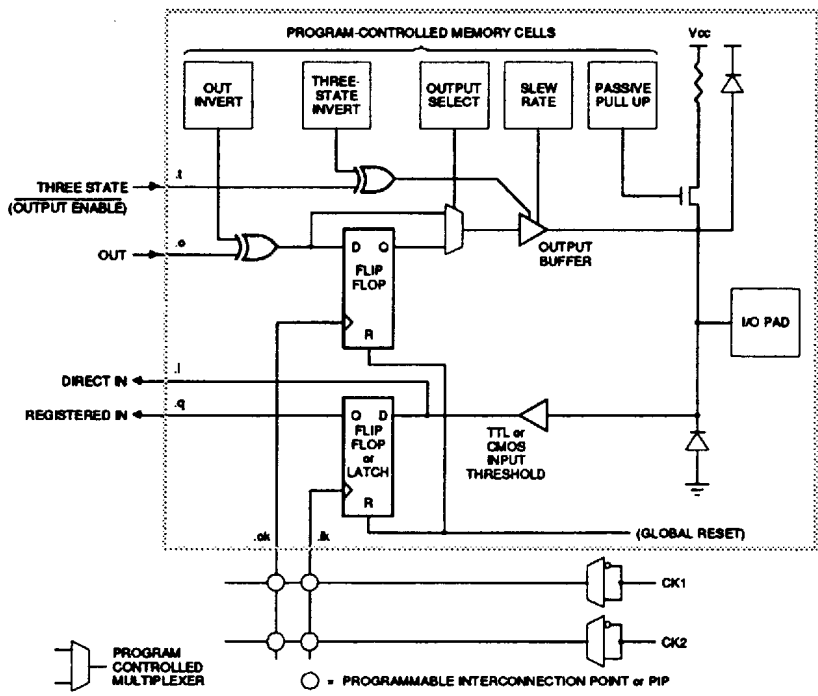
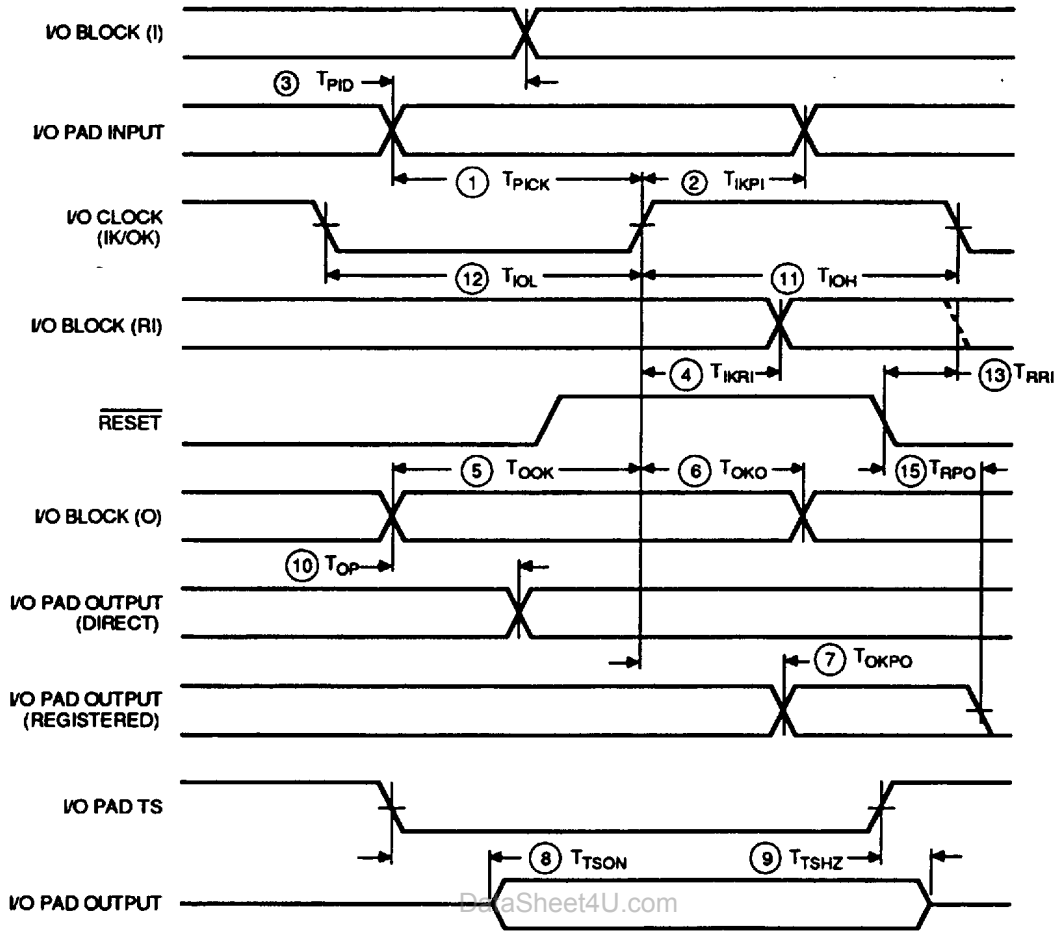
Description	Speed Grade		150		200		230		Units
	Symbol		Min	Max	Min	Max	Min	Max	
Combinatorial Delay Logic Variables a, b, c, d, e, to outputs x, y	1	TiLO		4.6		3.2		2.7	ns
Sequential delay clock k to outputs x, y clock k outputs x, y when Q is returned through function generators F or G to drive x, y	8	TCKO		4		2.5		2.1	ns
		TCKOQ		6.7		5.2		4.4	ns
Set-up time before clock K Logic Variables a, b, c, d, e Data In di Enable Clock ec Reset Direct inactive rd	2	TICK	4.6		2.5		2.1		ns
	4	TDICK	2		1.6		1.4		ns
	6	TECCK	4		3.2		2.7		ns
		TRDCK	1		1		1		ns
Hold Time after clock k Logic Variables a, b, c, d, e Data In di Enable Clock ec	3	TCKI	0		0		0		ns
	5	TCKDI	1.2		1		0.9		ns
	7	TCKEC	0		0.8		0.7		ns
Clock Clock High time* Clock Low time* Max. flip-flop toggle rate*	11	TCH	2.5		2.2		2		ns
	12	TCL	2.5		2.2		2		ns
		FCLK	150		200		230		MHz
Reset Direct (rd) rd width delay from rd to outputs x, y	13	TRPW	5		3.2		2.7		ns
	9	TRIO		5		3.7		3.1	ns
Master Reset (MR) MR width delay from MR to outputs x, y		TMRW	19		15		13		ns
		TMRQ		17		14		12	ns

* Timing is based on the ATT3042, for other devices see the *XACT* timing calculation.

■ = Preliminary.

Note: The CLB K to Q output delay (TCKO, #8) of any CLB, plus the shortest possible interconnect delay, is always longer than the Data In hold time requirement (TCKDI, #5) of any CLB on the same die.

IOB Switching Characteristic Guidelines



IOB Switching Characteristic Guidelines (continued)

Testing of the switching characteristic guidelines is modeled after testing specified by MIL-M-38510/605. Devices are 100% functionally tested. Benchmark timing patterns are used to provide correlation to the switching characteristic guideline values. Actual worst-case timing is provided by the XACT Timing calculator or Simulation modeling.

Description	Speed Grade		150		200		230		Units
	Symbol		Min	Max	Min	Max	Min	Max	
Propagation Delays (Input)									
Pad to Direct In (i)	3	TPID		2.8		2.5		2.2	ns
Pad to Registered In (q) with latch transparent		TPTG		15		15		13	ns
Clock (ik) to Registered In (q)	4	TIKRI		2.8		2.5		2.2	ns
Set-up Time (Input)									
Pad to Clock (ik) set-up time	1	TPICK	14.5		14		12		ns
Propagation Delays (Output)									
Clock (ok) to Pad (fast)	7	TOKPO		7		5		4.4	ns
same (slew-rate limited)	7	TOKPO		22		12		10	ns
Output (o) to Pad (fast)	10	TOPF		4.5		3.7		3.3	ns
same (slew-rate limited)	10	TOPS		15		11		9.0	ns
3-state to Pad begin hi-Z (fast)	9	TTSHZ		7		6.2		5.5	ns
same (slew-rate limited)	9	TTSHZ		22		6.2		5.5	ns
3-state to Pad and valid (fast)	8	TTSON		11		10		9.0	ns
same (slew-rate limited)	8	TTSON		26		17		15	ns
Set-up and Hold Times (Output)									
Output (o) to clock (ok) set-up time	5	TOKC	7		5.6		5		ns
Output (o) to clock (ok) hold time	6	TOKO	0		0		0		ns
Clock									
Clock High time*	11	TCH	2.5		2.2		2		ns
Clock Low time*	12	TCL	2.5		2.2		2		ns
Max. flip-flop toggle rate		FCLK	150		200		230		MHz
Master Reset Delays									
RESET Pad to Registered In (q)	13	TRRI		20		15		13	ns
RESET Pad to output pad (fast)	15	TRPO		25		20		17	ns
(slew-rate limited)	15	TRPO		40		27		23	ns

☐ = Preliminary.

Notes:

Timing is measured at pin threshold, with 50 pF external capacitive loads (incl. test fixture).

Typical fast mode output rise/fall times are 2 ns and will increase approximately 2%/pF of additional load.

Typical slew-rate limited output rise/fall times are approximately 4 times longer.

A maximum total external capacitive load for simultaneous fast mode switching in the same direction is 200 pF per power/ground pin pair. For slew-rate limited outputs this total is 4 times larger. Exceeding this maximum capacitive load can result in ground bounce of >1.5 V amplitude and <5 ns duration, which might cause problems when the LCA drives clocks and other asynchronous signals.

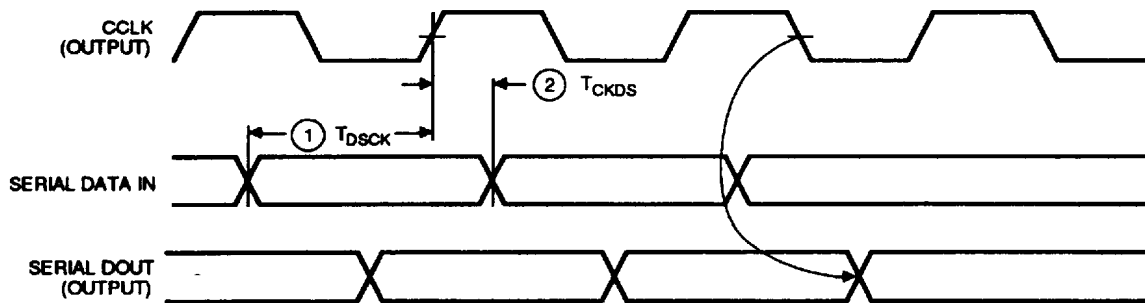
Voltage levels of unused (bonded and unbonded) pads must be valid logic levels. Each can be configured with the internal pull-up resistor or alternatively configured as a driven output or driven from an external source.

Input pad set up time is specified with respect to the internal clock (.ik).

In order to calculate system set up time, subtract clock delay (pad to ik) from the input pad set up time value.

Input pad holdtime with respect to the internal clock (ik) is negative. This means that pad level changes immediately before the internal clock edge (ik) will not be recognized.

Master Serial Mode Switching Characteristics Guidelines



2271 31

Signal	Description	Speed		150		200		230		Unit
		Symbol	Min	Max	Min	Max	Min	Max		
CCLK	Data In setup	1	T_{DSCK}	60		60		60		ns
	Data in hold	2	T_{CKDS}	0		0		0		ns

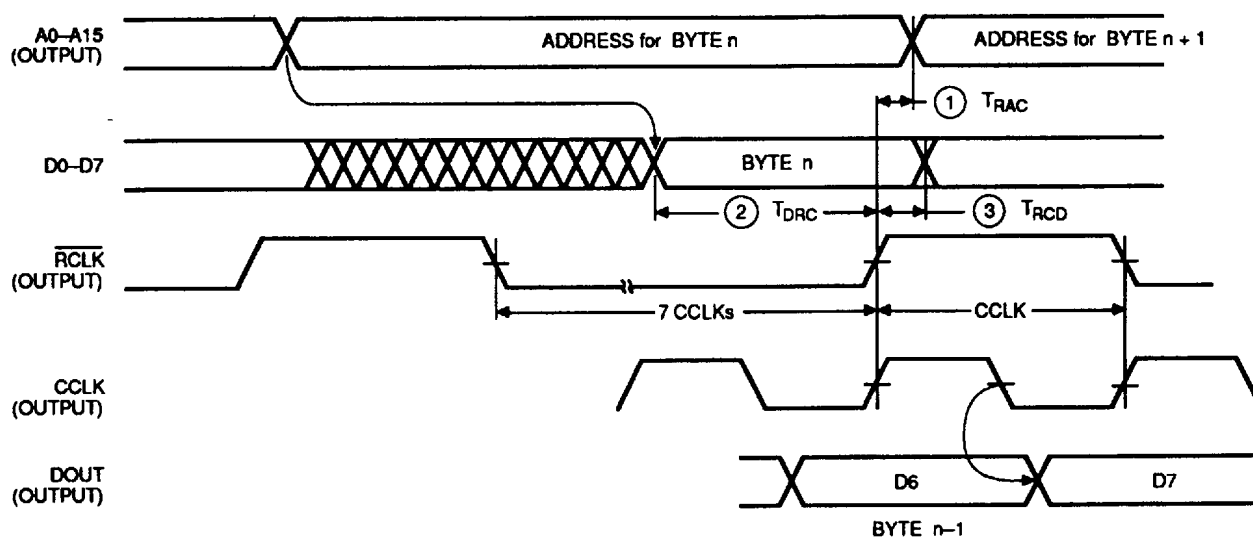
- Preliminary.

Notes:

- At power-up, V_{CC} must rise from 2.0 V to V_{CC} minimum in less than 25 ms. If this is not possible, configuration can be delayed by holding \overline{RESET} Low until V_{CC} has reached 4.0 V. A very long V_{CC} rise time of ≥ 100 ms, or a non-monotonically rising V_{CC} may require a >1 μ s High level on \overline{RESET} , followed by a >6 μ s Low level on \overline{RESET} and D/P after V_{CC} has reached 4.0 V.
- Configuration can be controlled by holding \overline{RESET} Low with or until after the INIT of all daisy-chain slave-mode devices is High.
- Master-serial-mode timing is based on slave-mode testing.

Master Parallel Mode Programming Switching Characteristic Guidelines

Testing of the switching characteristic guidelines is modeled after testing specified by MIL-M-38510/605. Devices are 100% functionally tested. Benchmark timing patterns are used to provide correlation to the switching characteristic guideline values. Actual worst-case timing is provided by the XACT Timing calculator or Simulation modeling.



2271 32

Note: This timing diagram shows that the EPROM requirements are extremely relaxed: EPROM access time can be longer than 4000 ns. EPROM data output has no hold time requirements.

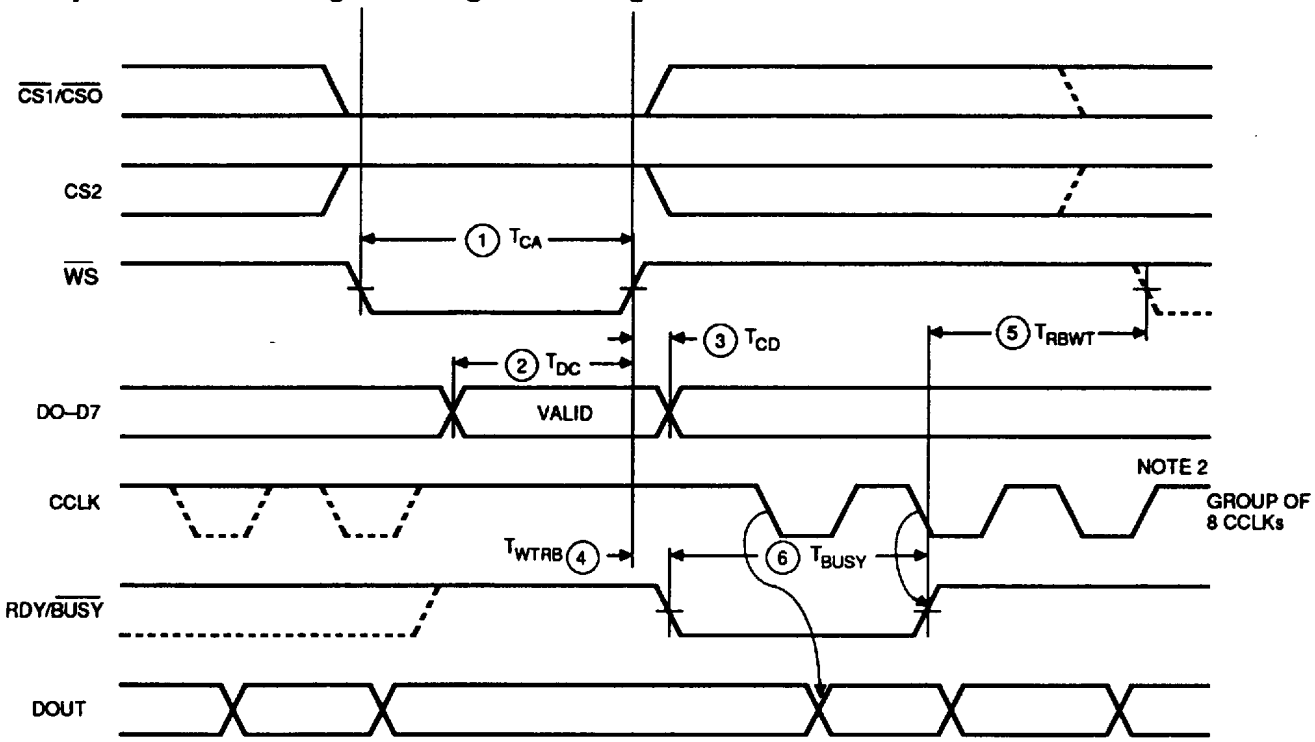
Signal	Description	Speed		150		200		230		Unit
		Symbol	Min	Max	Min	Max	Min	Max		
RCLK	To address valid	1	T _{RAC}	0	200	0	200	0	200	ns
	To data setup	2	T _{DRC}	60		60		60		ns
	To data hold	3	T _{TRCD}	0		0		0		ns
	RCLK high		T _{TRCH}	600		600		600		ns
	RCLK low		T _{TRCL}	4.0		4.0		4.0		μs

■ = Preliminary.

Notes:

- At power-up, V_{cc} must rise from 2.0 V to V_{cc} minimum in less than 25 ms. If this is not possible, configuration can be delayed by holding RESET Low until V_{cc} has reached 4.0 V. A very long V_{cc} rise time of >100 ms, or a non-monotonically rising V_{cc} may require a >1 μs High level on RESET, followed by a >6 μs Low level on RESET and D/P after V_{cc} has reached 4.0 V.
- Configuration can be controlled by holding RESET Low with or until after the INIT of all daisy-chain slave-mode devices is High.

Peripheral Mode Programming Switching Characteristics



2271 33

Note: This timing diagram shows very relaxed requirements: Data need not be held beyond the rising edge of \overline{WS} . \overline{BUSY} will go active within 60 ns after the end of \overline{WS} . \overline{BUSY} will stay active for several microseconds. \overline{WS} may be asserted immediately after the end of \overline{BUSY} .

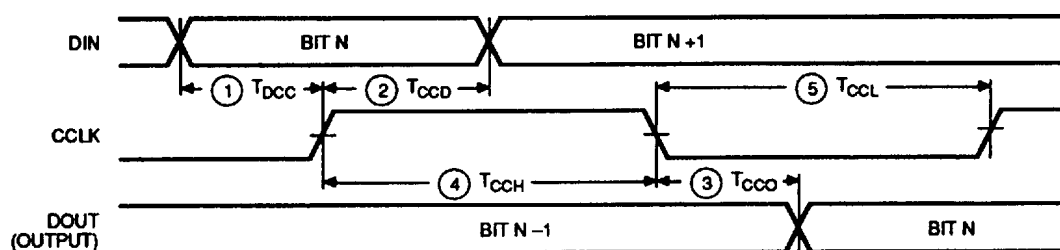
Signal	Description	Speed		150		200		230		Unit
		Symbol	Min	Max	Min	Max	Min	Max		
Write	Effective write time required ($\overline{CS0} \times \overline{CS1} \times \overline{CS2} \times \overline{WS}$)	1	T_{CA}	100		100		100		ns
	DIN setup time required	2	T_{DC}	60		60		60		ns
	DIN hold time required	3	T_{CD}	0		0		0		ns
	$\overline{RDY}/\overline{BUSY}$ delay after end of \overline{WS}	4	T_{WTRB}		60		60		60	ns
RDY	Earliest next \overline{WS} after end of \overline{BUSY}	5	T_{RBWT}	0		0		0		ns
	\overline{BUSY} Low time generated	6	T_{BUSY}	2	9	2	9	2	9	CCLK Periods

▒ = Preliminary.

Notes:

- At power-up, V_{CC} must rise from 2.0 V to V_{CC} minimum in less than 25 ms. If this is not possible, configuration can be delayed by holding RESET Low until V_{CC} has reached 4.0 V. A very long V_{CC} rise time of >100 ms, or a non-monotonically rising V_{CC} may require a >1 μ s High level on RESET, followed by a >6 μ s Low level on RESET and D/P after V_{CC} has reached 4.0 V.
- Configuration must be delayed until the \overline{INIT} of all LCAs is High.
- Time from end of \overline{WS} to CCLK cycle for the new byte of data depends on completion of previous byte processing and the phase of the internal timing generator for CCLK.
- CCLK and DOUT timing is tested in slave mode.

Slave Mode Programming Switching Characteristics



2271 34

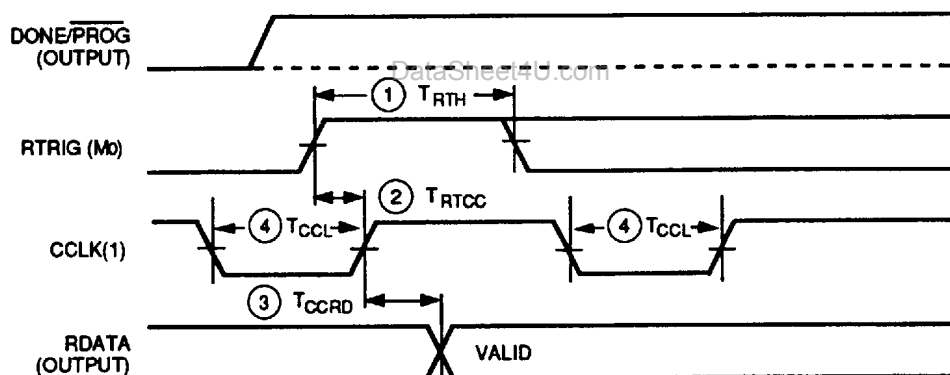
Signal	Description	Speed		150		200		230		Unit
		Symbol	Min	Max	Min	Max	Min	Max		
CCLK	To DOUT	3	T_{CCO}							ns
	DIN setup	1	T_{DCC}	60	100	60	100	60	100	ns
	DIN hold	2	T_{CCD}	0		0		0		ns
	High time	4	T_{CCH}	0.05		0.05		0.05		μ s
	Low time	5	T_{CCL}	0.05	5.0	0.05	5.0	0.05	5.0	μ s
	Frequency				10		10		10	MHz

■ = Preliminary.

Notes:

- The max limit of CCLK Low time is caused by dynamic circuitry inside the LCA device.
- Configuration must be delayed until the INIT of all LCAs is High.
- At power-up, V_{CC} must rise from 2.0 V to V_{CC} minimum in less than 25 ms. If this is not possible, configuration can be delayed by holding RESET Low until V_{CC} has reached 4.0 V. A very long V_{CC} rise time of >100 ms, or a non-monotonically rising V_{CC} may require a >1 μ s High level on RESET, followed by a >6 μ s Low level on RESET and D/P after V_{CC} has reached 4.0 V.

Program Readback Switching Characteristics



2271 35

Signal	Description	Speed		150		200		230		Unit
		Symbol	Min	Max	Min	Max	Min	Max		
RTRIG	RTRIG high	1	T_{RTH}	250		250		250		ns
CCLK	RTRIG setup	2	T_{RTCC}	200		200		200		ns
	RDATA delay	3	T_{CCRD}		100		100		100	ns
	High Time	5	T_{CCH}	0.5		0.5		0.5		μ s
	Low time	4	T_{CCL}	0.5	5	0.5	5	0.5	5	μ s

■ = Preliminary.

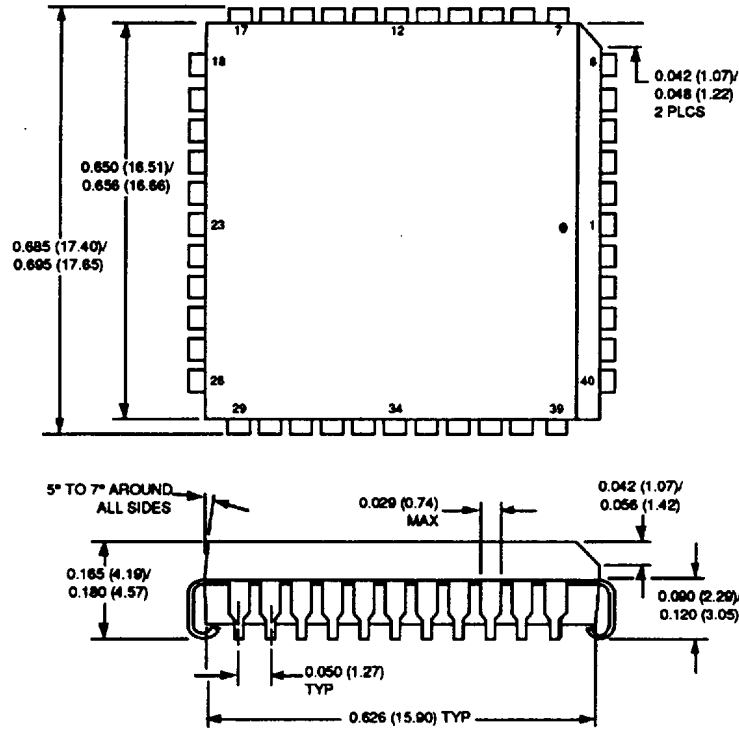
Notes:

- During Readback, CCLK frequency may not exceed 1 MHz.
- RETRIG (M0 positive transition) shall not be done until after one clock following active I/O pins.
- Readback should not be initiated until configuration is complete.

Outline Diagrams

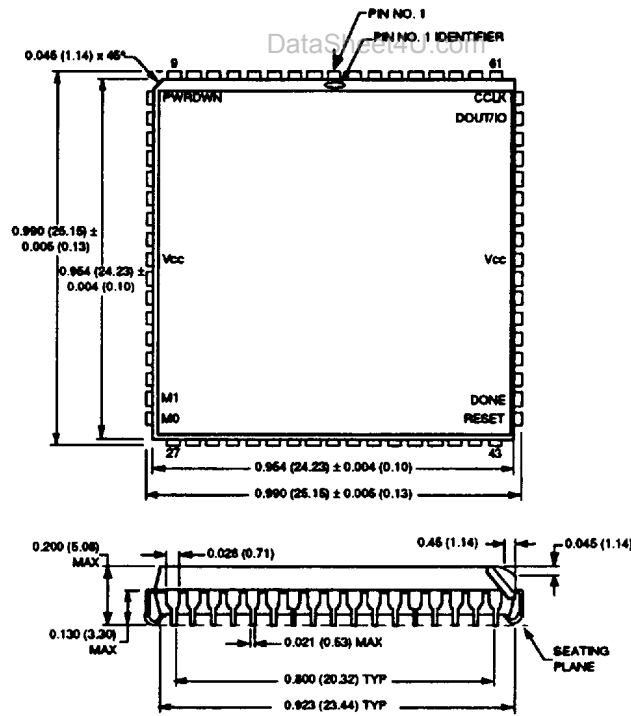
44-Pin PLCC Package

Dimensions are in inches and (millimeters).



68-Pin PLCC Package

Dimensions are in inches and (millimeters).

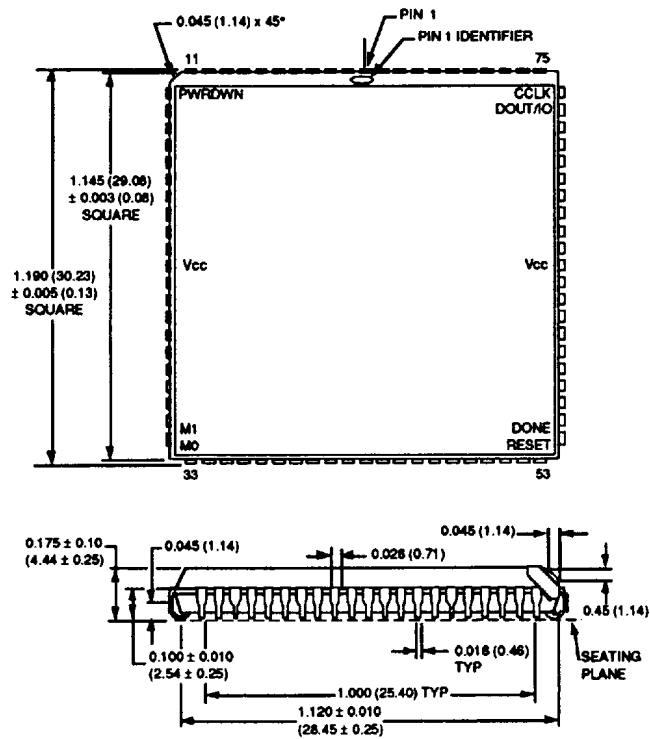


Notes: Pin spacing .050 typical
Lead co-planarity ± 0.0002 in.

Outline Diagrams (continued)

84-Pin PLCC Package

Dimensions are in inches and (millimeters).

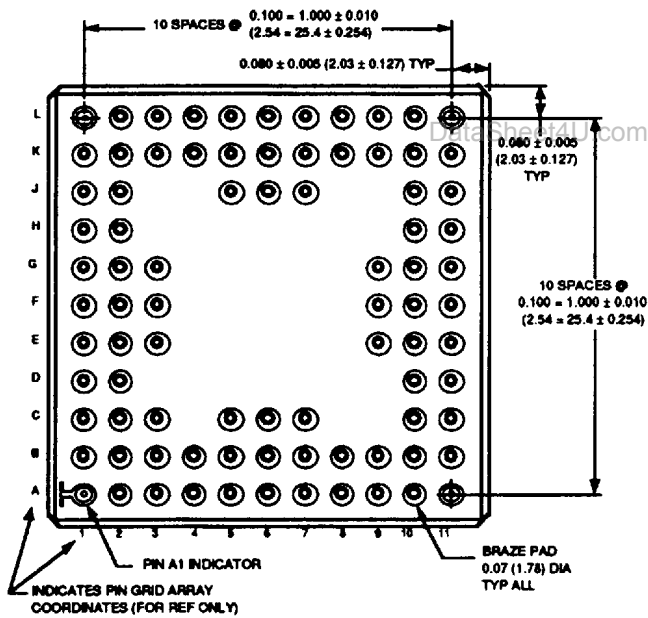
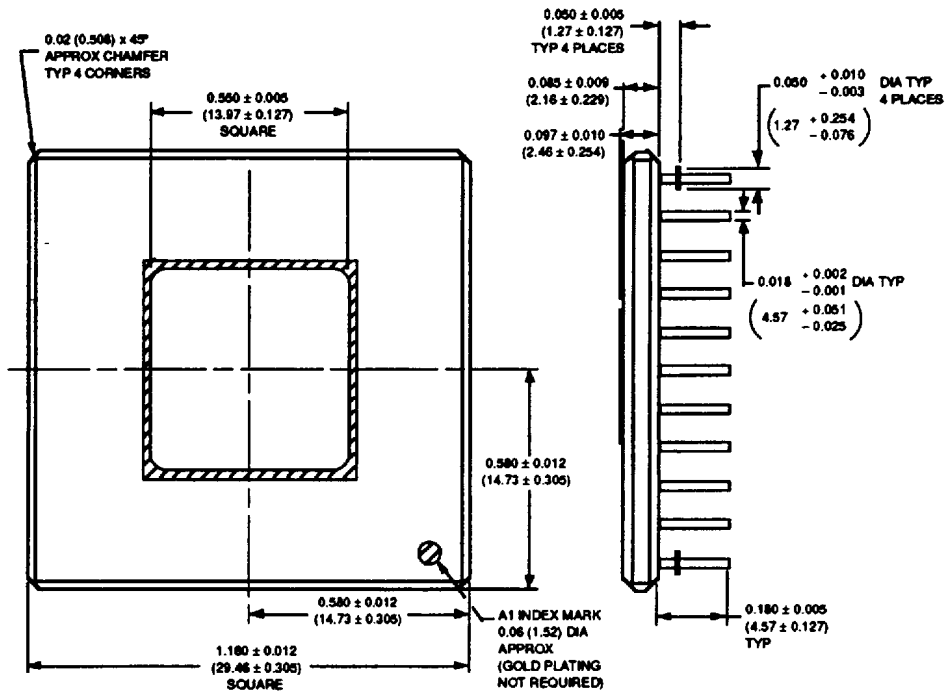


Notes: Pin spacing .050 typical

Outline Diagrams (continued)

84-Pin Ceramic PGA Package

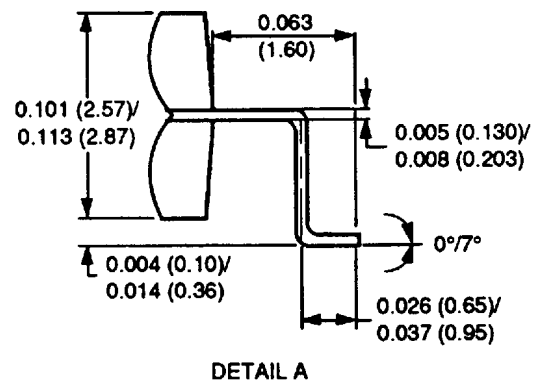
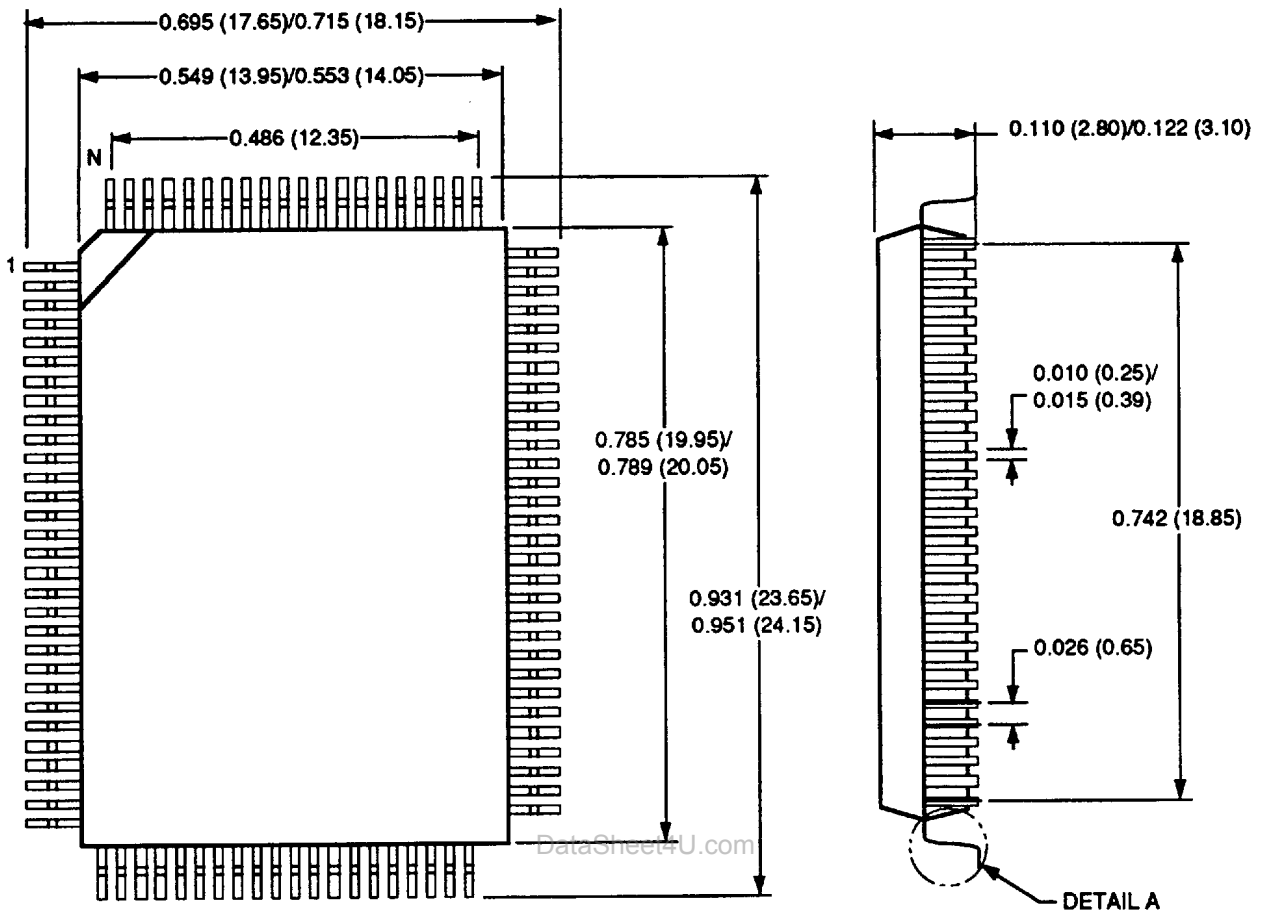
Dimensions are in inches and (millimeters).



Outline Diagrams (continued)

100-Pin QFP Package

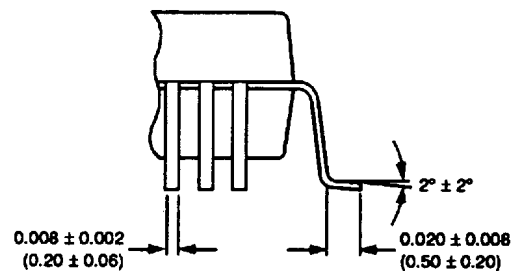
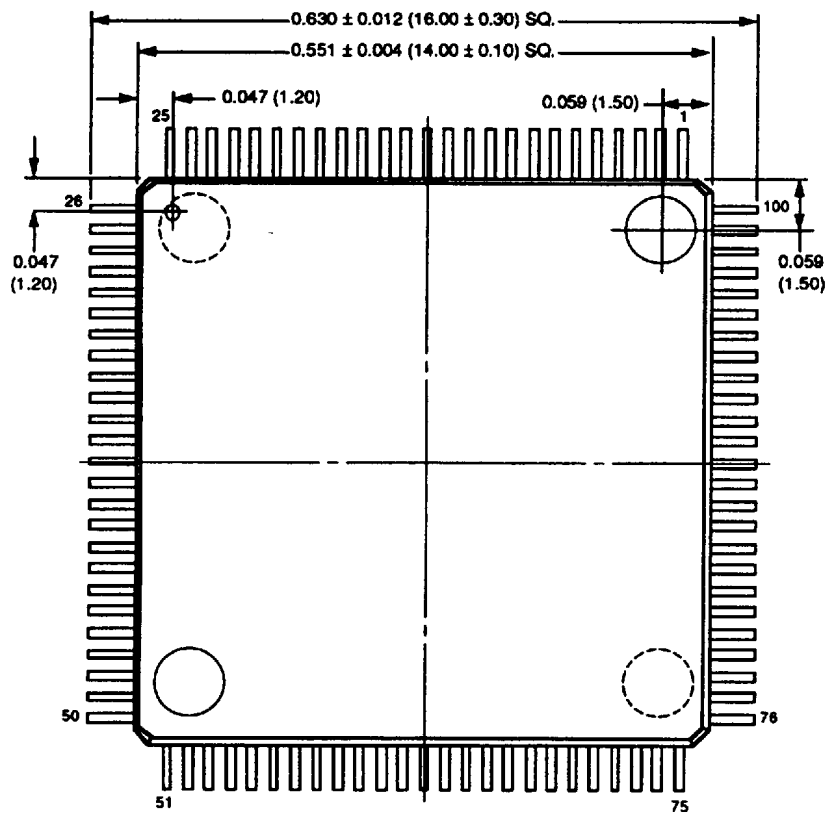
Dimensions are in inches and (millimeters).



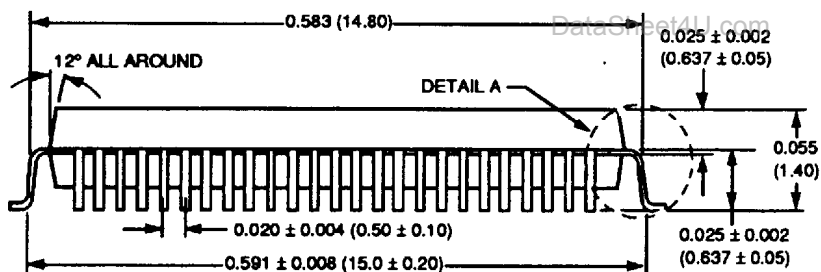
Outline Diagrams (continued)

100-Pin TQFP Package

Dimensions are in inches and (millimeters).



DETAIL A

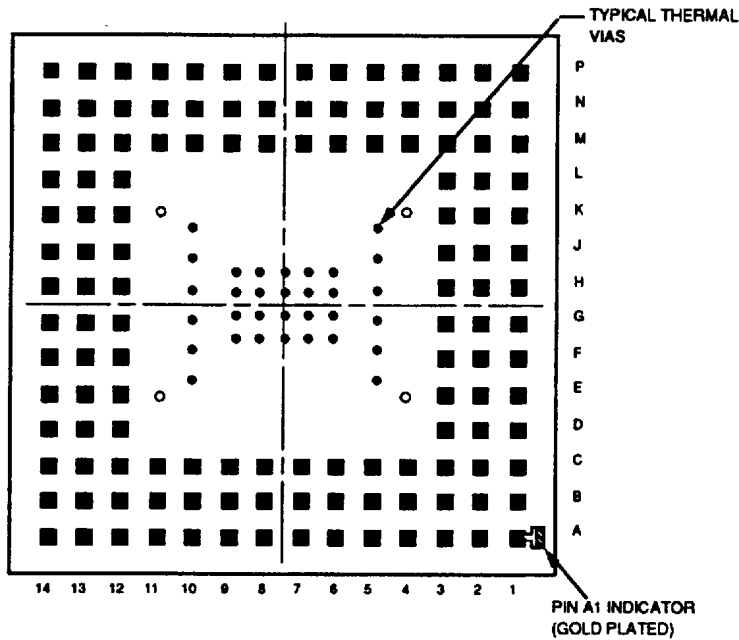
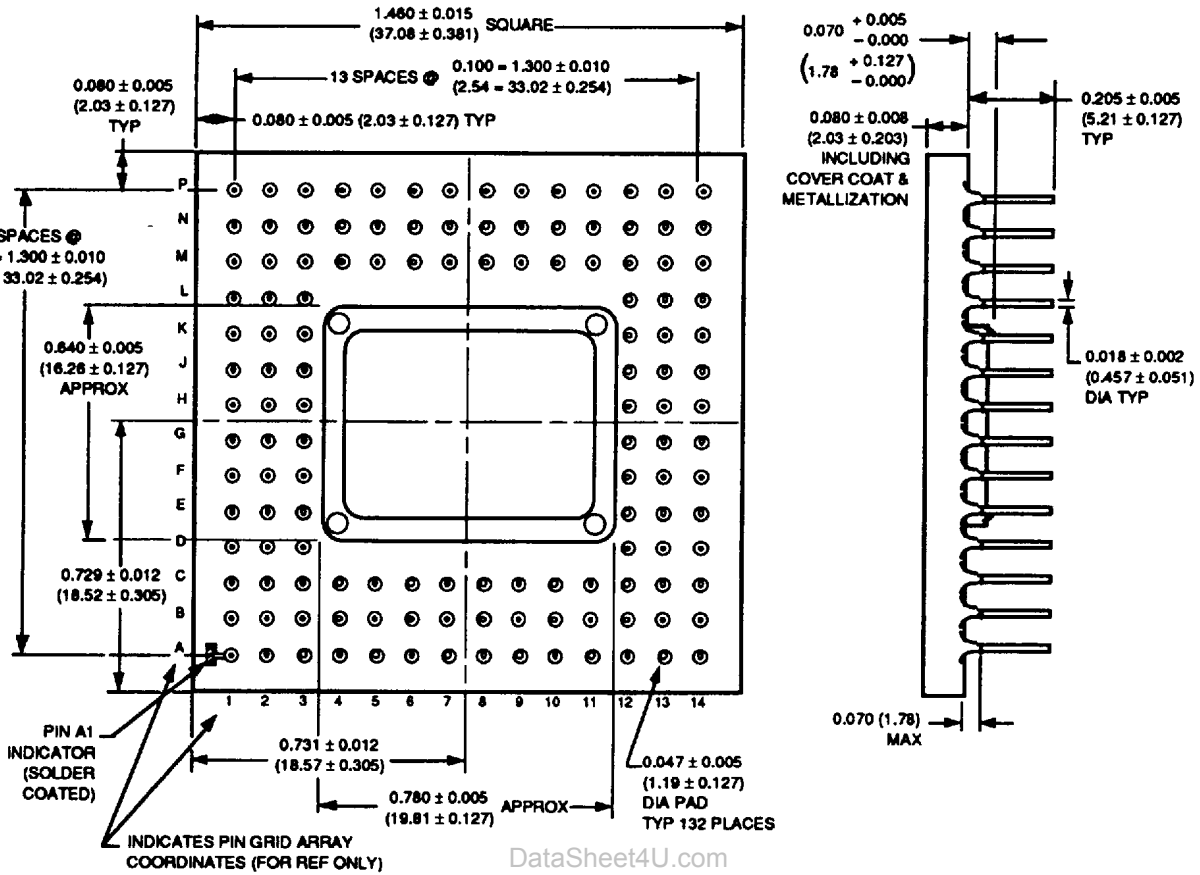


DETAIL A

Outline Diagrams (continued)

132-Pin Plastic PGA Package

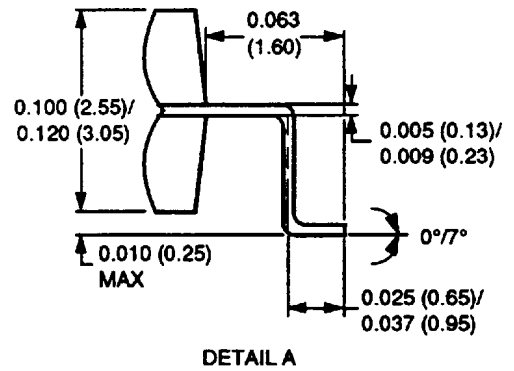
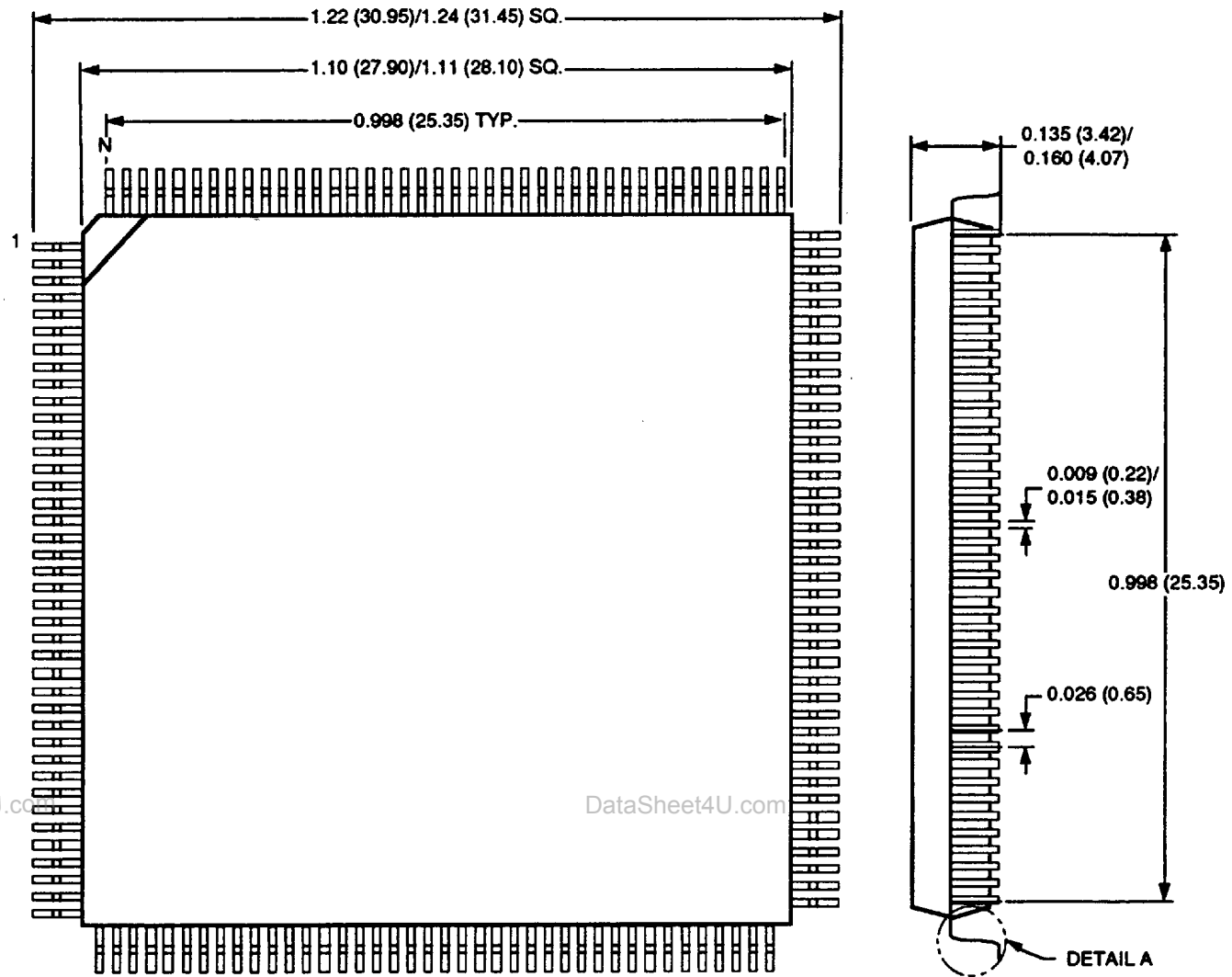
Dimensions are in inches and (millimeters).



Outline Diagrams (continued)

160-Pin QFP Package

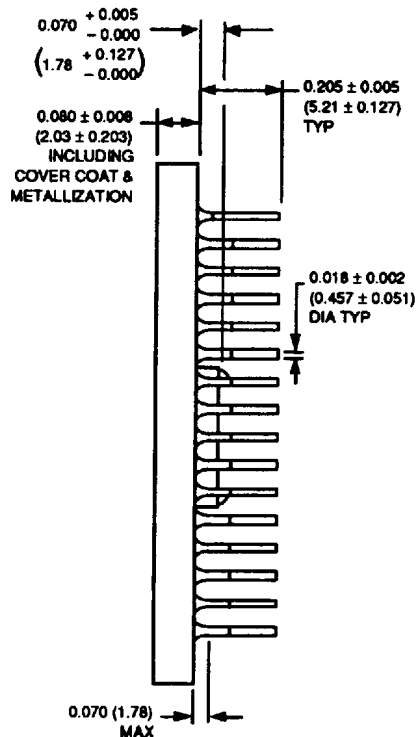
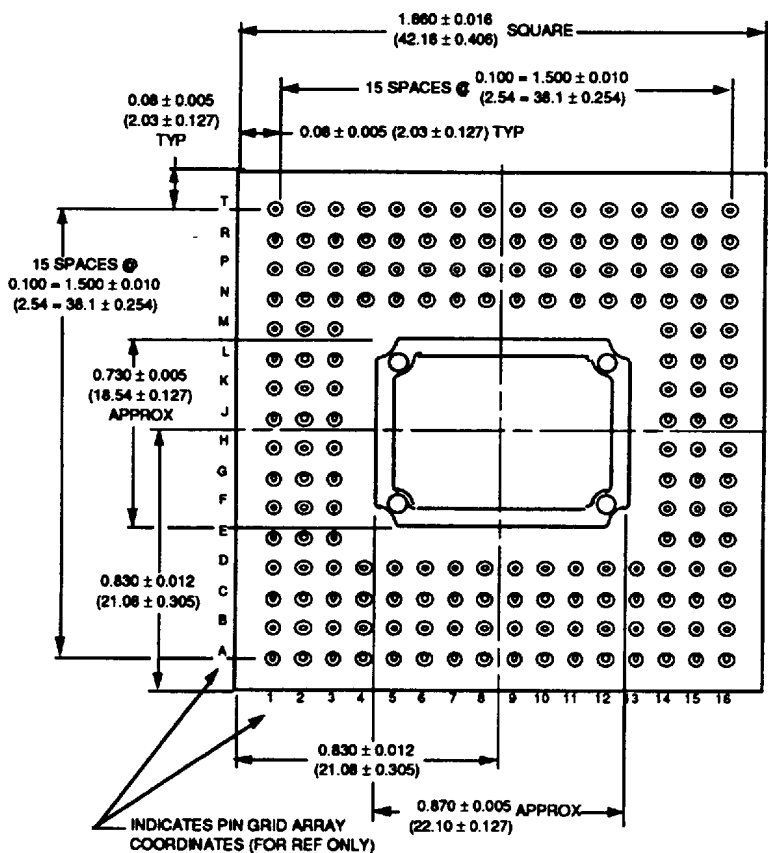
Dimensions are in inches and (millimeters).



Outline Diagrams (continued)

175-Pin Plastic PGA Package

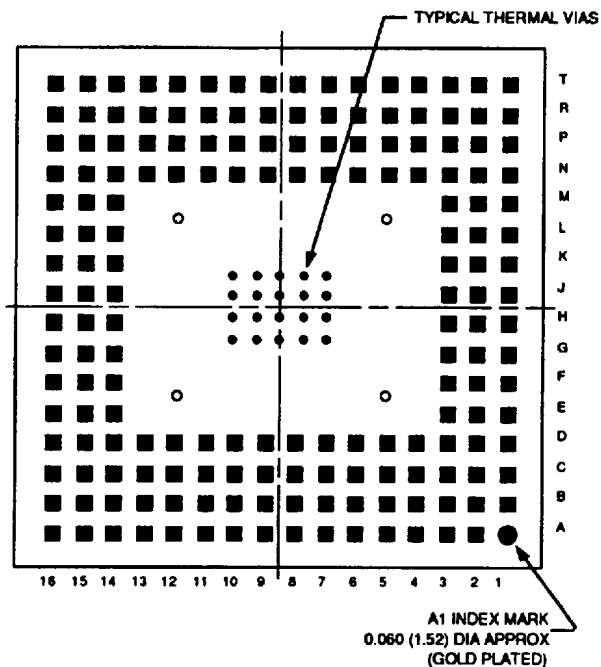
Dimensions are in inches and (millimeters).



et4U.com

DataSheet4U.com

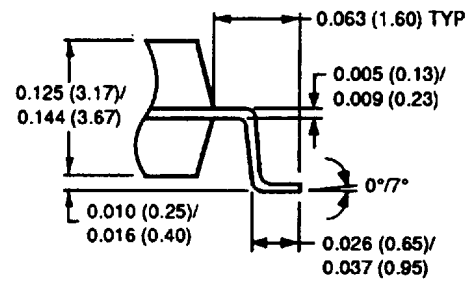
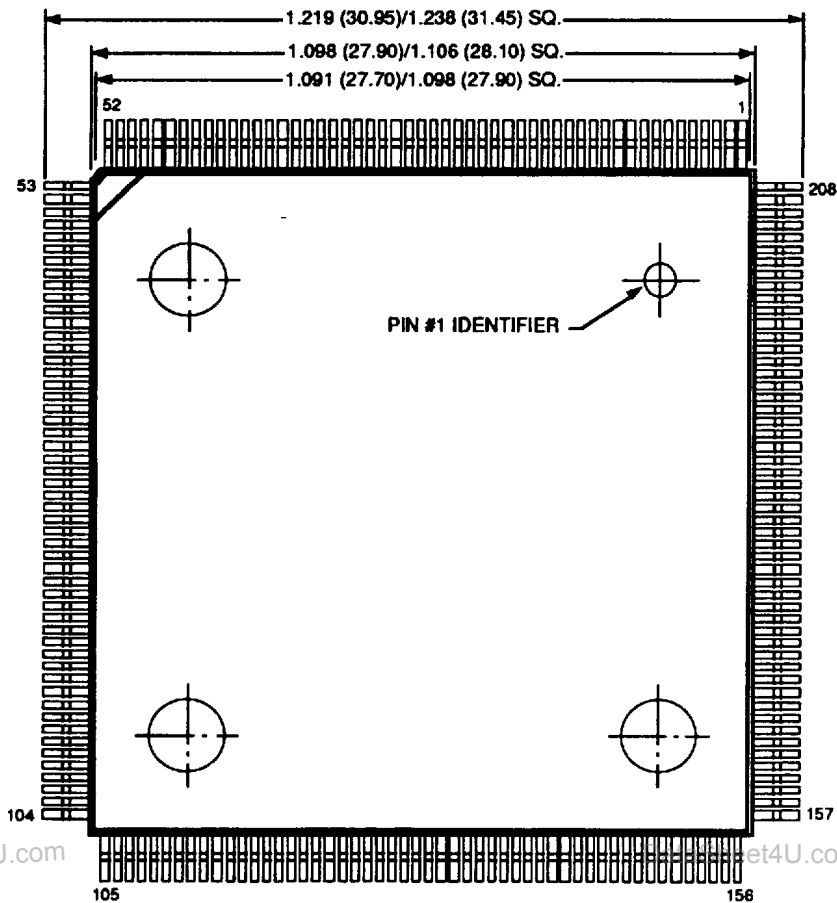
DataShee



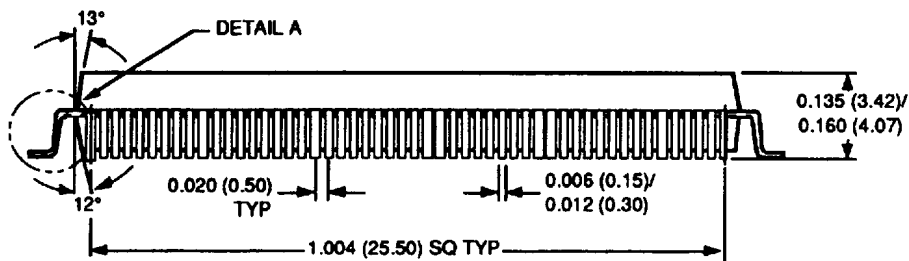
Outline Diagrams (continued)

208-Pin SQFP Package

Dimensions are in inches and (millimeters).

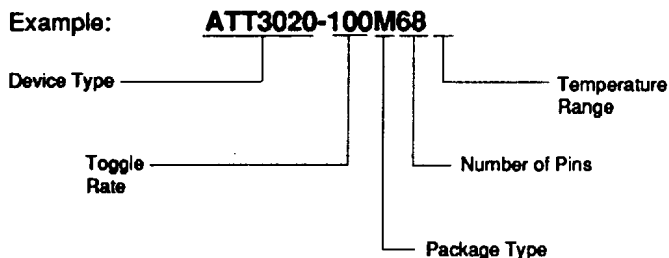


DETAIL A



Ordering Information

Ordering Information



ATT3020, 100 MHz, 68-lead PLCC, Commercial Temperature

Note: For availability of device types or packaging options, please contact your AT&T Sales Representative or an authorized distributor.

FPGA Temperature Options

Symbol	Description	Temperature
(Blank)	Commercial	0 °C to 70 °C
I	Industrial	-40 °C to +85 °C
M	Military	-50 °C to +125 °C

FPGA Package Options

Symbol	Description
H	Plastic Pin Grid Array
J	EIAJ Plastic Quad Flat Package
M	Plastic Leaded Chip Carrier
N	JEDEC Ceramic Quad Flat Package
R	Ceramic Pin Grid Array
T	Thin Quad Flat Pack
S	Shrink Quad Flat Pack

		44 Pin	68 Pin	84 Pin		100 Pin			132 Pin		160 Pin	164 Pin	175 Pin		208 Pin
		PLCC	PLCC	PLCC	Ceramic PGA	EIAJ QFP	TQFP	Ceramic QFP	Plastic PGA	Ceramic PGA	EIAJ QFP	Ceramic QFP	Plastic PGA	Ceramic PGA	Plastic SQFP
		M44	M68	M84	R84	J100	T100	N100	H132	R132	J160	N164	H175	R175	Q208
ATT3020	150		C	C	C	C	C								
	200		C	C	C	C	C								
	230		C	C	C	C	C								
ATT3030	150	C	C	C	C	C	C								
	200	C	C	C	C	C	C								
	230	C	C	C	C	C	C								
ATT3042	150			C	C	C	C	C	C	C					
	200			C	C	C	C	C	C	C					
	230			C	C	C	C	C	C	C					
ATT3064	150			C					C	C	C				
	200			C					C	C	C				
	230			C					C	C	C				
ATT3090	150			C							C	C	C	C	C
	200			C							C	C	C	C	C
	230			C							C	C	C	C	C

☐ = Preliminary.

C indicates commercial temperature option.