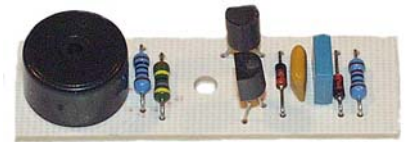


**ALG01****ALARM GENERATOR****TO MONITOR THE FUNCTION OF CPU-COOLER AND FANS WITH PULSE OUTPUT****FEATURES**

- Suitable for all **SEPA**® DC-fans and **SEPA**® CPU-Cooler with pulse output
- Generates an acoustic sound in case fan fails (missing pulses)
- The alarm will be generated permanently, even if the fan starts after blocking
- False pole protection included
- No stand-by current consumption
- Very small size

**TECHNICAL PERFORMANCE**

Operating voltage: 4.5 to 15.0VDC

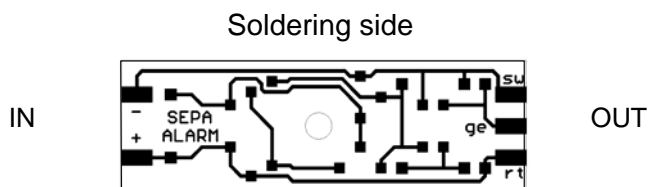
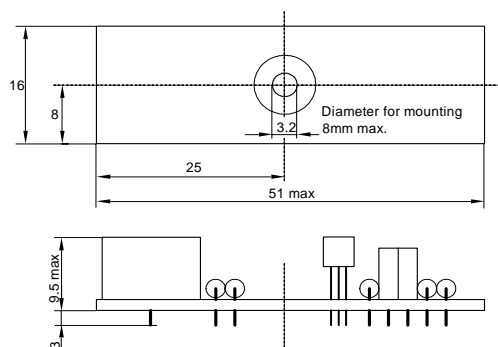
Stand-by current/alarm current: 0 / 17 mA

Sound frequency:  $4 \pm 0.5$  KHzSound level:  $>83$ dB/10cm @ 12VDC

Function: In case of missing or very low frequency pulses an acoustic signal will be generated (the sound level varies by the operating voltage). After eliminating the failure the acoustic signal stops after reset only.

Reset: Switch off power supply for 30 seconds.

www.DataSheet4U.com

**ORDER INFORMATION:**

ALG01PCB Alarm generator, electronic only  
 ALG01ZLT Alarm generator with lead wires 2 x AWG26, blk, red  
 ALG01FDD Alarm generator with lead wires and connector (FDD)

BPKZ1010  
 auf Anfrage  
 auf Anfrage

11/03

Technical changes without notice