



**M E A S U R E M E N T  
SPECIALTIES**

- 1% Total Error Band
- No Leaks
- No Welds
- No "O" Rings
- No Silicone Oil

www.DataSheet4U.com

**NEW  
DIGITALLY  
COMPENSATED  
DESIGN**

**Microfused Technology**

## MSP-600

### New High Accuracy, Digitally Compensated EMI/RFI Protected Stainless Steel Isolated Pressure Transducer

**ISO  
9001**

- High Accuracy
- Low Cost OEM
- 100% Leak Proof

#### Features

High Accuracy  
Digitally Compensated  
One-piece Stainless Steel Construction  
Ranges up to 10,000 PSI or 700 BAR  
Amplified Outputs  
Wide Operating Temperature Range  
Low Pressure Configuration

#### Applications

Pumps and Compressors  
Hydraulic/Pneumatic Systems  
Off Road  
Energy and Water Management  
Pressure Instrumentation  
Refrigeration Equipment  
Agriculture Equipment  
Train Braking Systems



#### Description

The MSP series pressure transducers set a new price-performance standard for low cost, high volume, commercial and industrial applications. This series is suitable for measurement of liquid or gas pressure, even for difficult media such as contaminated water, steam, and mildly corrosive fluids or gases.

The transducer pressure cavity is machined from a solid piece of 17-4 PH stainless steel. The standard version includes a 1/4 NPT pipe thread allowing a leak-proof, all metal sealed system. There are no o-rings, welds or organics exposed to the pressure media. The durability is excellent.

Measurement Specialties proprietary Microfused technology, derived from demanding aerospace applications, employs micromachined silicon piezoresistive strain gages, fused with high temperature glass to a stainless steel diaphragm. This approach achieves media compatibility simply and elegantly providing an exceptionally stable sensor without the p-n junctions of conventional micromachined sensors.

This product is geared to the OEM customer using medium to high volumes. The standard version is suitable for many applications, but the dedicated design team at our Transducer Engineering Center stands ready to provide a semi-custom design where the volume and application warrants.

## SPECIFICATIONS

### Performance at 25°C (77°F):

Pressure range	0-25, 50, 75, 100, 250, 500, 1000, 2500, 5000, 7500, 10000 PSI (0-1.5, 3, 6, 7, 17, 35, 70, 175, 350, 525, 700 BAR)
Accuracy, % of FS Span (combined linearity, hysteresis and repeatability)	± 0.25% BSL, max (per ISA S37.2)
Media compatibility	17-4 PH stainless steel (optional 316L stainless)
Pressure cycles	10 million, minimum
Pressure overload	2 times rated pressure
Burst pressure	10 times up to 1,000 PSI, 5 times above 1,000 PSI
Long term stability (1 year)	± 0.25% FS Span (Typical)

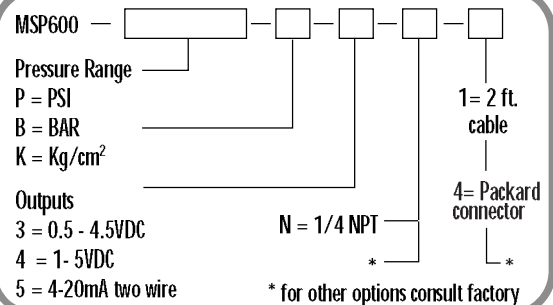
### Electrical:

	Ratiometric	Non-Ratiometric
Supply voltage	4.75 to 5.25VDC	10 - 32VDC
Supply current	<10mA	<25mA
Output	0.5 to 4.5V, at 5V	1 - 5V, three wires 4 - 20mA, two wires
Output impedance	100 Ohms max for voltage output, 0-1100 Ohm for 4-20mA	
Bandwidth	DC to 1KHz (Typical)	
Standard connector options	Packard connector - Metri-pack 150, 3 pins Cable - 24" length (Additional connectors available upon request)	

## ENVIRONMENTAL

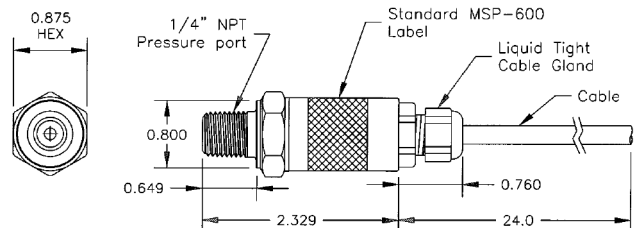
Operating temperature range	-40° to 100°C
Compensated temperature range	-20° to 85°C
Total error band (over compensated temperature range)	< ± 1% of FS (75-10,000 PSI) < ± 1.5% of FS (25-50 PSI)
Storage temperature range	-45° to 100°C
Shock	100G, 1/2" sine, 11msec (per MIL-STD-202)
Vibration	10G random, 10Hz to 2500Hz
EMI/RFI Immunity	EN 50081, Part 2 EN 50082, Part 2
Humidity	95% RH, condensing

## ORDERING



### Electrical Connections:

Outputs:	3/4	5
Red	+Supply	Red +Supply
Black	Ground	Black Output
White	Output	



DIMENSIONS IN INCHES AND ARE REFERENCE ONLY.