

AC-202B

•20 Charsx2 Line 1/16 Duty

FEATURE

液晶之友 电话: 020-33819057
<http://www.lcdfriends.com>

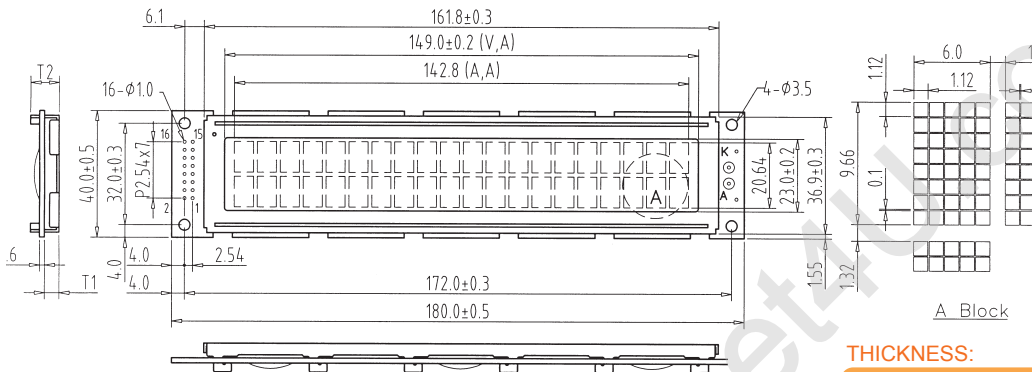
1. Construction : STN LCD panel, Bezel, Zebra and PCB.
2. Optional LED or EL back-light white edge LED available.
3. Controller : KS0066U or Equivalent.
4. 5V or 3.3V single power input. Built-in DC/DC converter while using 3.3V power input.
5. Normal / Extended temperature type.

ELECTRICAL CHARACTERISTICS

Item	Sym.	Condition	Typ. Value	Unit.
LCD Driving Voltage	VDD-V0	25°C	4.6	V
Supply Current	IDD	VDD=5.0V	1.6	mA

INTERFACE

1	2	3	4	5	6	7	8	9	10	11	12	13	14	15	16
VSS	VDD	V0	RS	R/W	E	DB0	DB1	DB2	DB3	DB4	DB5	DB6	DB7	A/EL1	K/EL2



THICKNESS:

VERSION	T1	T2
EL&NO BACKLIGHT	4.6 ± 0.3	9.5Max
LED BACK LIGHT	10.0 ± 0.3	15.0Max

AC-202D

•20 Charsx2 Line 1/16 Duty

FEATURE

1. Construction : STN LCD panel, Bezel, Zebra and PCB.
2. LED back-light.
3. Controller : KS0066U or Equivalent.
4. Besides +5V for logic circuit, -5V is needed for LCD driving.
5. Normal / Extended temperature type.

ELECTRICAL CHARACTERISTICS

Item	Sym.	Condition	Typ. Value	Unit.
LCD Driving Voltage	VDD-V0	25°C	8.5	V
Supply Current	IDD	VDD=5V	2.5	mA

INTERFACE

1	2	3	4	5	6	7	8	9	10	11	12	13	14	15	16
VSS	VDD	V0	RS	R/W	E	DB0	DB1	DB2	DB3	DB4	DB5	DB6	DB7	LEDA	LEDK

