

Silicon Epitaxial Planar Diode

1SS404

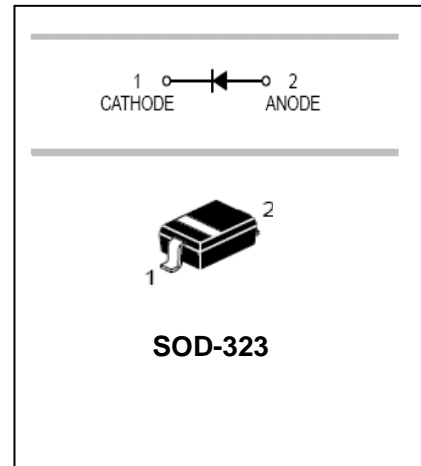
FEATURES

www.datasheet4u.com

- Small surface mounting type.
- High speed.
- High reliability with high surge current handing capability



Lead-free



APPLICATIONS

- High speed switching

ORDERING INFORMATION

Type No.	Marking	Package Code
1SS404	S51	SOD-323

MAXIMUM RATING @ Ta=25°C unless otherwise specified

Parameter	Symbol	Limits	Unit
Peak reverse voltage	V_{RM}	25	V
DC Reverse Voltage	V_R	20	V
Peak forward Current	I_{FM}	700	mA
Average Rectified Output Current	I_O	300	mA
Junction temperature	T_J	125	°C
Storage temperature	T_{STG}	-55~+125	°C

ELECTRICAL CHARACTERISTICS @ Ta=25°C unless otherwise specified

Parameter	Symbol	Min.	Max.	Unit	Conditions
Forward voltage	V_F		0.16	V	$I_F=1mA$
			0.22		$I_F=100mA$
			0.38		$I_F=300mA$
Reverse current	I_R		50	μA	$V_R=20V$
Capacitance between terminals	C_T		46	pF	$V_R=0V, f=1MHz$

Silicon Epitaxial Planar Diode

1SS404

PACKAGE OUTLINE

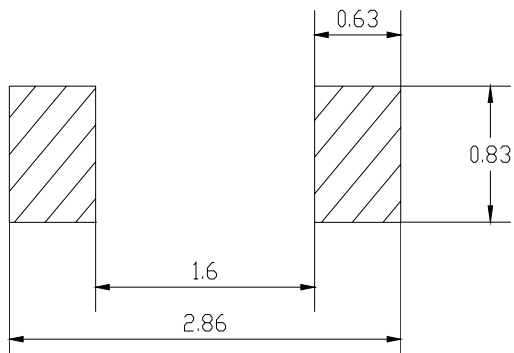
www.datasheet4u.com

Plastic surface mounted package

SOD-323

SOD-323		
Dim	Min	Max
A	1.275	1.325
B	1.675	1.725
C	0.9 Typical	
D	0.25	0.35
E	0.27	0.37
H	0.02	0.1
J	0.1 Typical	
K	2.6	2.7
All Dimensions in mm		

SOLDERING FOOTPRINT



Unit : mm

PACKAGE INFORMATION

Device	Package	Shipping
1SS404	SOD-323	3000/Tape&Reel