
HD74LVC240A

Octal Buffers / Line Drivers with 3-state Outputs

HITACHI

ADE-205-109B(Z)
3rd Edition
December 1996

Description

The HD74LVC240A has eight inverter drivers with three state outputs in a 20 pin package. This device is an inverting buffer and has two active low enables ($\overline{1G}$ and $\overline{2G}$). Each enable independently controls four buffers. Low voltage and high speed operation is suitable at the battery drive product (note type personal computer) and low power consumption extends the life of a battery for long time operation.

Features

- $V_{CC} = 2.0\text{ V to }5.5\text{ V}$
- All inputs $V_{IH}(\text{Max.}) = 5.5\text{ V}$ ($@V_{CC} = 0\text{ V to }5.5\text{ V}$)
- All outputs $V_{OUT}(\text{Max.}) = 5.5\text{ V}$ ($@V_{CC} = 0\text{ V}$ or output off state)
- Typical V_{OL} ground bounce $< 0.8\text{ V}$ ($@V_{CC} = 3.3\text{ V}$, $T_a = 25^\circ\text{C}$)
- Typical V_{OH} undershoot $> 2.0\text{ V}$ ($@V_{CC} = 3.3\text{ V}$, $T_a = 25^\circ\text{C}$)
- High output current $\pm 24\text{ mA}$ ($@V_{CC} = 3.0\text{ V to }5.5\text{ V}$)

Function Table

| Inputs | | Output \overline{Y} |
|----------------|---|-----------------------|
| \overline{G} | A | |
| H | X | Z |
| L | H | L |
| L | L | H |

H : High level

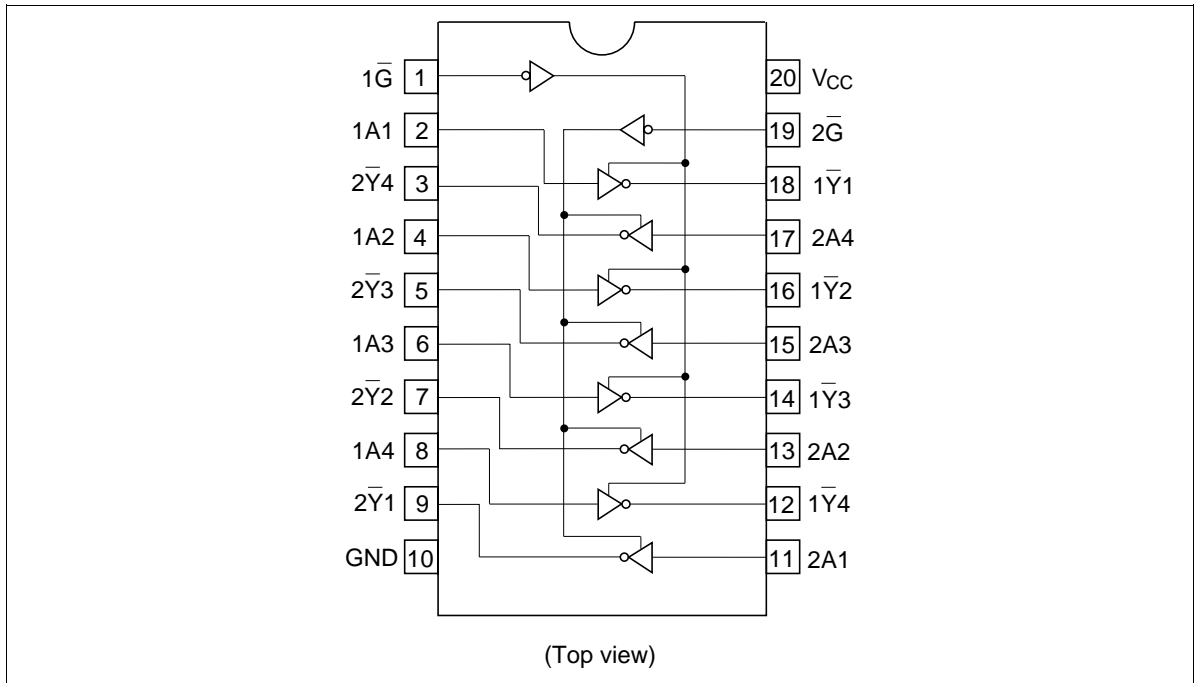
L : Low level

X : Immaterial

Z : High impedance

HD74LVC240A

Pin Arrangement



Absolute Maximum Ratings

| Item | Symbol | Ratings | Unit | Conditions |
|------------------------------|-----------------------|------------------------|--------------|-----------------------------|
| Supply voltage | V_{CC} | -0.5 to 6.0 | V | |
| Input diode current | I_{IK} | -50 | mA | $V_I = -0.5$ V |
| Input voltage | V_I | -0.5 to 6.0 | V | |
| Output diode current | I_{OK} | -50 | mA | $V_O = -0.5$ V |
| | | 50 | mA | $V_O = V_{CC} + 0.5$ V |
| Output voltage | V_O | -0.5 to $V_{CC} + 0.5$ | V | Output "H" or "L" |
| | | -0.5 to 6.0 | V | Output "Z" or V_{CC} :OFF |
| Output current | I_O | ± 50 | mA | |
| V_{CC} , GND current / pin | I_{CC} or I_{GND} | 100 | mA | |
| Storage temperature | Tstg | -65 to +150 | $^{\circ}$ C | |

Note: The absolute maximum ratings are values which must not individually be exceeded, and furthermore, no two of which may be realized at the same time.

Recommended Operating Conditions

| Item | Symbol | Ratings | Unit | Conditions |
|--------------------------------------|------------|------------------|------|---|
| Supply voltage | V_{CC} | 1.5 to 5.5 | V | Data hold |
| | | 2.0 to 5.5 | V | At operation |
| Input / output voltage | V_I | 0 to 5.5 | V | \bar{G} , A |
| | V_O | 0 to V_{CC} | V | Output "H" or "L" |
| | | 0 to 5.5 | V | Output "Z" or V_{CC} :OFF |
| Operating temperature | T_a | -40 to 85 | °C | |
| Output current | I_{OH} | -12 | mA | $V_{CC} = 2.7\text{ V}$ |
| | | -24 ² | mA | $V_{CC} = 3.0\text{ V to }5.5\text{ V}$ |
| | I_{OL} | 12 | mA | $V_{CC} = 2.7\text{ V}$ |
| | | 24 ² | mA | $V_{CC} = 3.0\text{ V to }5.5\text{ V}$ |
| Input rise / fall time ^{*1} | t_r, t_f | 10 | ns/V | |

Notes: 1. This item guarantees maximum limit when one input switches.

Waveform : Refer to test circuit of switching characteristics.

2. duty cycle ≤ 50%

HD74LVC240A

Electrical Characteristics

| Item | Symbol | V_{CC} (V) | $T_a = -40 \text{ to } 85^\circ\text{C}$ | | Unit | Test Conditions |
|--------------------------|-----------------|--------------|--|---------------------|---------------|--|
| | | | Min | Max | | |
| Input voltage | V_{IH} | 2.7 to 3.6 | 2.0 | — | V | |
| | | 4.5 to 5.5 | $V_{CC} \times 0.7$ | — | V | |
| | V_{IL} | 2.7 to 3.6 | — | 0.8 | V | |
| | | 4.5 to 5.5 | — | $V_{CC} \times 0.3$ | V | |
| Output voltage | V_{OH} | 2.7 to 5.5 | $V_{CC} - 0.2$ | — | V | $I_{OH} = -100 \mu\text{A}$ |
| | | 2.7 | 2.2 | — | V | $I_{OH} = -12 \text{ mA}$ |
| | | 3.0 | 2.4 | — | V | |
| | | 3.0 | 2.2 | — | V | $I_{OH} = -24 \text{ mA}$ |
| | | 4.5 | 3.8 | — | V | |
| | V_{OL} | 2.7 to 5.5 | — | 0.2 | V | $I_{OL} = 100 \mu\text{A}$ |
| | | 2.7 | — | 0.4 | V | $I_{OL} = 12 \text{ mA}$ |
| | | 3.0 | — | 0.55 | V | $I_{OL} = 24 \text{ mA}$ |
| | | 4.5 | — | 0.55 | V | |
| | | | | | | |
| Input current | I_{IN} | 0 to 5.5 | — | ± 5.0 | μA | $V_{IN} = 5.5 V_{CC}$ or GND |
| Off state output current | I_{OZ} | 2.7 to 5.5 | — | ± 5.0 | μA | $V_{IN} = V_{CC}, \text{ GND}$ $V_{OUT} = 5.5 \text{ V or GND}$ |
| Output leak current | I_{OFF} | 0 | — | 20 | μA | $V_{IN} / V_{OUT} = 5.5 \text{ V}$ |
| Quiescent supply current | I_{CC} | 2.7 to 3.6 | — | ± 10 | μA | $V_{IN} / V_{OUT} = 3.6 \text{ to } 5.5 \text{ V}$ |
| | | 2.7 to 5.5 | — | 10 | μA | $V_{IN} = V_{CC}$ or GND |
| | ΔI_{CC} | 3.0 to 3.6 | — | 500 | μA | $V_{IN} = \text{one input at } (V_{CC} - 0.6)\text{V},$ other inputs at V_{CC} or GND |

Switching Characteristics

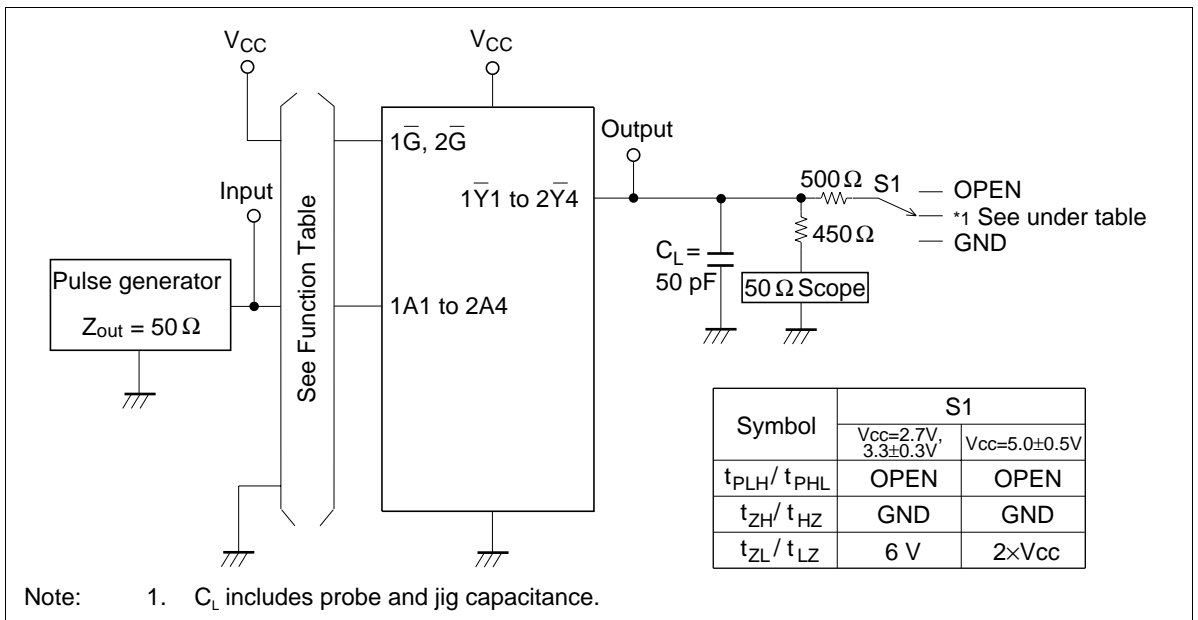
Ta = -40 to 85°C

| Item | Symbol | V _{cc} (V) | Min | Typ | Max | Unit | From (Input) | To (Output) |
|--|-------------------|---------------------|-----|------|-----|------|--------------|-------------|
| Propagation delay time | t _{PLH} | 2.7 | — | — | 7.5 | ns | A | \bar{Y} |
| | t _{PHL} | 3.3±0.3 | 1.5 | — | 6.5 | ns | | |
| | | 5.0±0.5 | — | — | 5.0 | ns | | |
| Output enable time | t _{ZH} | 2.7 | — | — | 9.0 | ns | \bar{G} | \bar{Y} |
| | t _{ZL} | 3.3±0.3 | 1.5 | — | 8.0 | ns | | |
| | | 5.0±0.5 | — | — | 6.5 | ns | | |
| Output disable time | t _{HZ} | 2.7 | — | — | 8.0 | ns | \bar{G} | \bar{Y} |
| | t _{LZ} | 3.3±0.3 | 1.5 | — | 7.0 | ns | | |
| | | 5.0±0.5 | — | — | 6.0 | ns | | |
| Between output pins skew ^{*1} | t _{OSLH} | 2.7 | — | — | — | ns | | |
| | t _{OSHL} | 3.3±0.3 | — | — | 1.0 | ns | | |
| | | 5.0±0.5 | — | — | 1.0 | ns | | |
| Input capacitance | C _{IN} | 2.7 | — | 3.0 | — | pF | | |
| Output capacitance | C _O | 2.7 | — | 15.0 | — | pF | | |

Note: 1. This parameter is characterized but not tested.

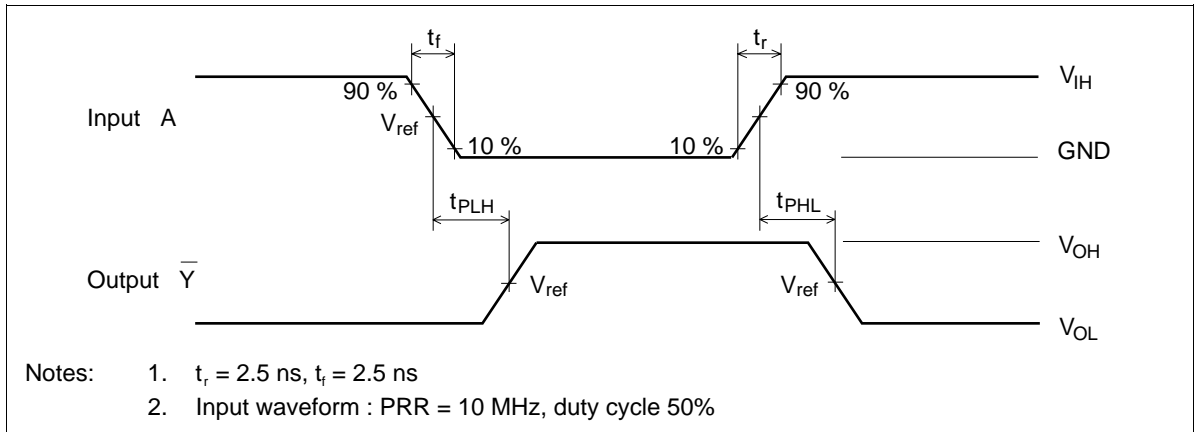
$$tos_{LH} = |t_{PLHm} - t_{PLHn}|, tos_{HL} = |t_{PHLm} - t_{PHLn}|$$

Test Circuit

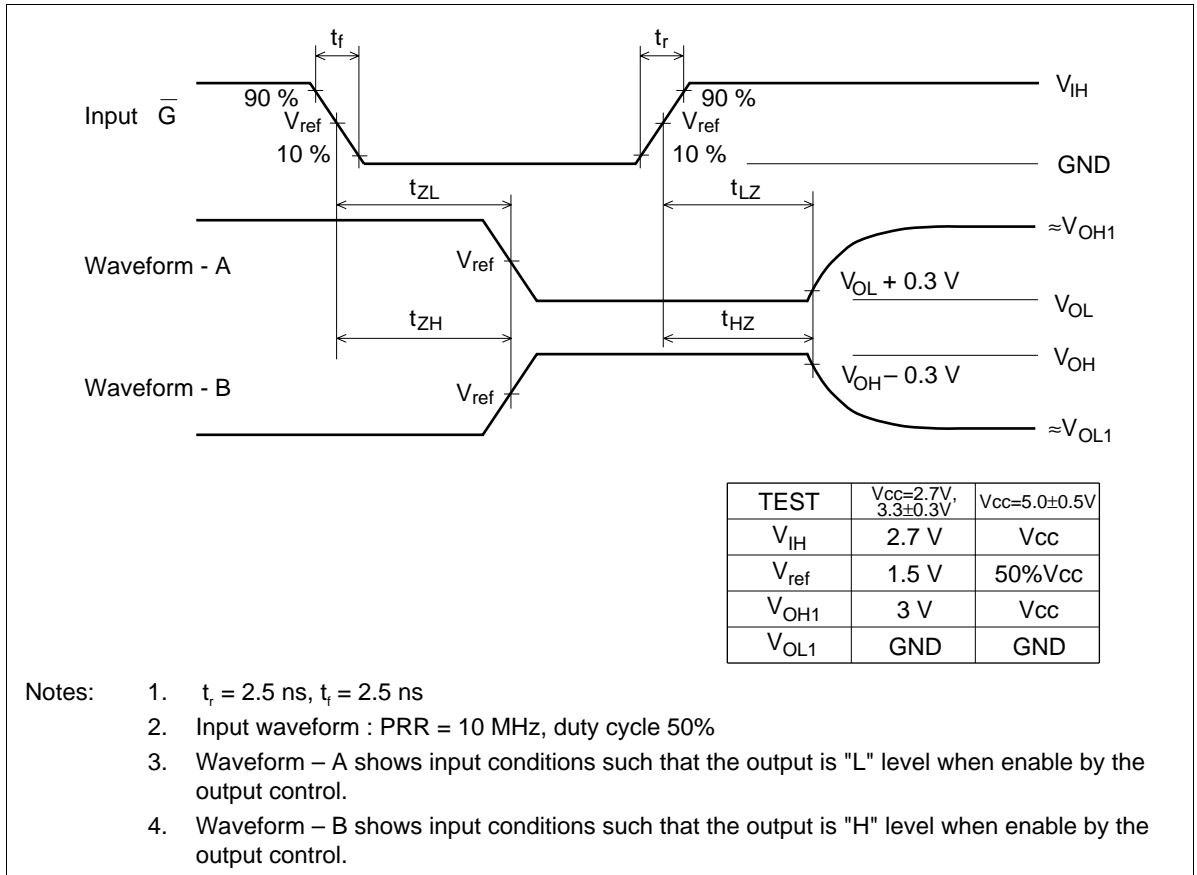


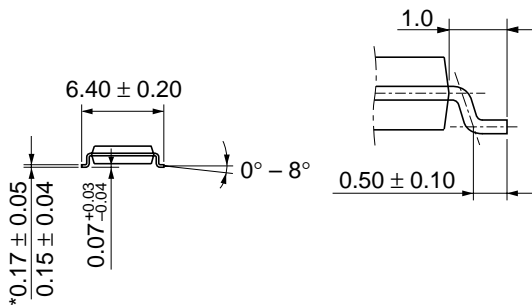
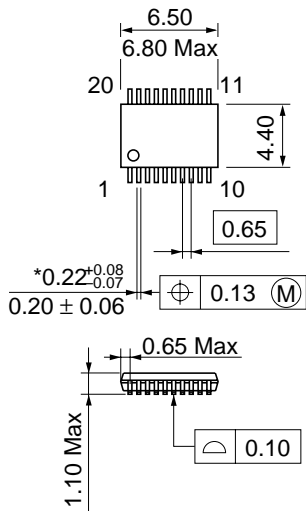
HD74LVC240A

Waveforms – 1



Waveforms – 2





*Dimension including the plating thickness
Base material dimension

| | |
|--------------------------|----------|
| Hitachi Code | TTP-20DA |
| JEDEC | — |
| EIAJ | — |
| Weight (reference value) | 0.07 g |

Cautions

1. Hitachi neither warrants nor grants licenses of any rights of Hitachi's or any third party's patent, copyright, trademark, or other intellectual property rights for information contained in this document. Hitachi bears no responsibility for problems that may arise with third party's rights, including intellectual property rights, in connection with use of the information contained in this document.
2. Products and product specifications may be subject to change without notice. Confirm that you have received the latest product standards or specifications before final design, purchase or use.
3. Hitachi makes every attempt to ensure that its products are of high quality and reliability. However, contact Hitachi's sales office before using the product in an application that demands especially high quality and reliability or where its failure or malfunction may directly threaten human life or cause risk of bodily injury, such as aerospace, aeronautics, nuclear power, combustion control, transportation, traffic, safety equipment or medical equipment for life support.
4. Design your application so that the product is used within the ranges guaranteed by Hitachi particularly for maximum rating, operating supply voltage range, heat radiation characteristics, installation conditions and other characteristics. Hitachi bears no responsibility for failure or damage when used beyond the guaranteed ranges. Even within the guaranteed ranges, consider normally foreseeable failure rates or failure modes in semiconductor devices and employ systemic measures such as fail-safes, so that the equipment incorporating Hitachi product does not cause bodily injury, fire or other consequential damage due to operation of the Hitachi product.
5. This product is not designed to be radiation resistant.
6. No one is permitted to reproduce or duplicate, in any form, the whole or part of this document without written approval from Hitachi.
7. Contact Hitachi's sales office for any questions regarding this document or Hitachi semiconductor products.

HITACHI

Hitachi, Ltd.

Semiconductor & Integrated Circuits.
Nippon Bldg., 2-6-2, Ohte-machi, Chiyoda-ku, Tokyo 100-0004, Japan
Tel: Tokyo (03) 3270-2111 Fax: (03) 3270-5109

URL North America : <http://semiconductor.hitachi.com/>
Europe : <http://www.hitachi-eu.com/hel/ecg>
Asia (Singapore) : <http://www.has.hitachi.com.sg/grp3/sicd/index.htm>
Asia (Taiwan) : http://www.hitachi.com.tw/E/Product/SICD_Frame.htm
Asia (HongKong) : <http://www.hitachi.com.hk/eng/bo/grp3/index.htm>
Japan : <http://www.hitachi.co.jp/Sicd/indx.htm>

For further information write to:

Hitachi Semiconductor
(America) Inc.
179 East Tasman Drive,
San Jose, CA 95134
Tel: <1> (408) 433-1990
Fax: <1> (408) 433-0223

Hitachi Europe GmbH
Electronic components Group
Dornacher Straße 3
D-85622 Feldkirchen, Munich
Germany
Tel: <49> (89) 9 9180-0
Fax: <49> (89) 9 29 30 00

Hitachi Europe Ltd.
Electronic Components Group.
Whitebrook Park
Lower Cookham Road
Maidenhead
Berkshire SL6 8YA, United Kingdom
Tel: <44> (1628) 585000
Fax: <44> (1628) 778322

Hitachi Asia Pte. Ltd.
16 Collyer Quay #20-00
Hitachi Tower
Singapore 049318
Tel: 535-2100
Fax: 535-1533

Hitachi Asia Ltd.
Taipei Branch Office
3F, Hung Kuo Building, No.167,
Tun-Hwa North Road, Taipei (105)
Tel: <886> (2) 2718-3666
Fax: <886> (2) 2718-8180

Hitachi Asia (Hong Kong) Ltd.
Group III (Electronic Components)
7/F., North Tower, World Finance Centre,
Harbour City, Canton Road, Tsim Sha Tsui,
Kowloon, Hong Kong
Tel: <852> (2) 735 9218
Fax: <852> (2) 730 0281
Telex: 40815 HITEC HX

Copyright ' Hitachi, Ltd., 1999. All rights reserved. Printed in Japan.

HITACHI