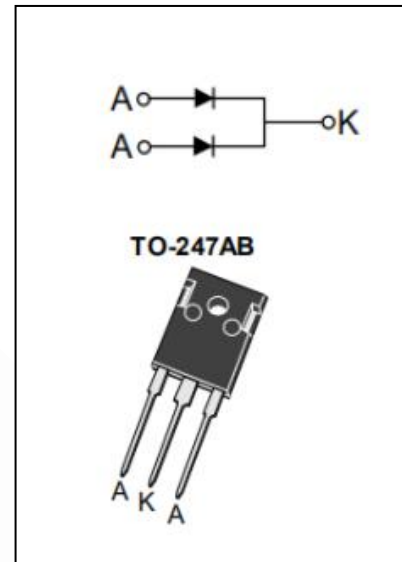


Schottky Barrier Rectifier**MBR4050PT****FEATURES**

- Plastic material used carriers Unerwriter Laboratory
- Metal silicon rectifier, majonty carrier conduction
- Low Power Loss,High Efficiency
- Guard ring for transient protection
- High Surge Capability,High Current Capability
- Minimum Lot-to-Lot variations for robust device performance and reliable operation

APPLICATIONS

- For use in low voltage ,high frequency inverters,free wheeling and polarity protection applications.

**ABSOLUTE MAXIMUM RATINGS(Ta=25°C)**

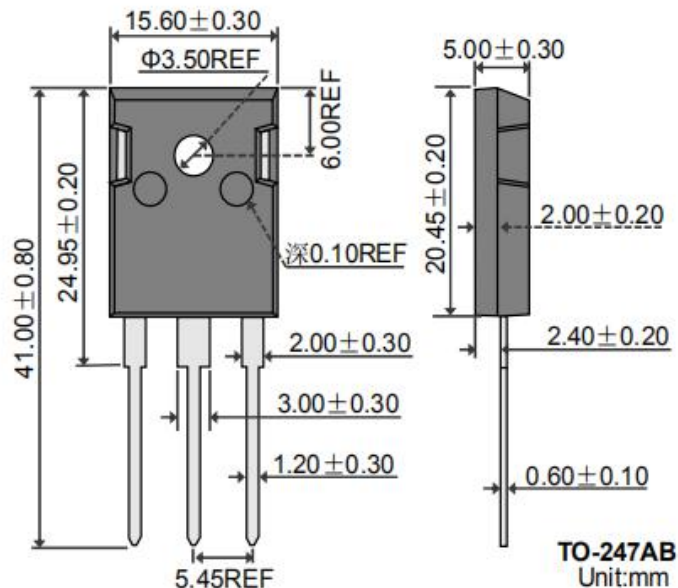
SYMBOL	PARAMETER	VALUE	UNIT
V _{RRM} V _{RWM} V _R	Peak Repetitive Reverse Voltage Working Peak Reverse Voltage DC Blocking Voltage	50	V
I _{F(AV)}	Average Rectified Forward Current	40	A
I _{FSM}	Nonrepetitive Peak Surge Current 8.3ms single half sine-wave superimposed on rated load conditions	400	A
I _{RSM}	Peak Repetitive Reverse Surge Current (20μs, 1.0kHz)	1.0	A
T _J	Junction Temperature	-65~150	°C
T _{stg}	Storage Temperature Range	-65~175	°C

THERMAL CHARACTERISTICS

SYMBOL	PARAMETER	MAX	UNIT
R _{th j-c}	Thermal Resistance,Junction to Case	1.2	°C/W

Schottky Barrier Rectifier
MBR4050PT
ELECTRICAL CHARACTERISTICS (Pulse Test: Pulse Width=300 μs, Duty Cycle≤1%)

SYMBOL	PARAMETER	CONDITIONS	MAX	UNIT
V _F	Maximum Instantaneous Forward Voltage	I _F = 20A ; T _c = 25°C	0.72	V
		I _F = 20A ; T _c = 125°C	0.62	
I _R	Maximum Instantaneous Reverse Current	V _R = V _{RWM} ; T _c = 25°C	1	mA
		V _R = V _{RWM} ; T _c = 125°C	100	

Outline package

TO-247AB
NOTICE:

ISC reserves the rights to make changes of the content herein the datasheet at any time without notification. The information contained herein is presented only as a guide for the applications of our products.

ISC products are intended for usage in general electronic equipment. The products are not designed for use in equipment which require specialized quality and/or reliability, or in equipment which could have applications in hazardous environments, aerospace industry, or medical field. Please contact us if you intend our products to be used in these special applications. ISC makes no warranty or guarantee regarding the suitability of its products for any particular purpose, nor does ISC assume any liability arising from the application or use of any products, and specifically disclaims any and all liability, including without limitation special, consequential or incidental damages.