

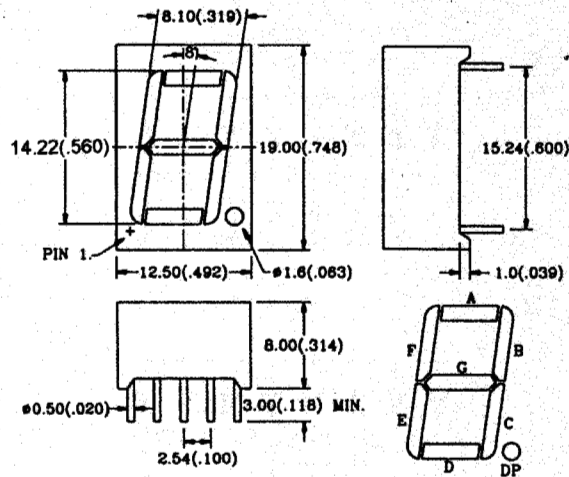
# C/A-561X series ...

## 14.22mm(0.56inch) SINGLE DIGIT DISPLAY

### MAIN FEATURES :

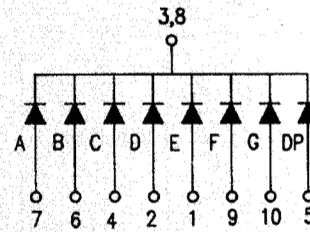
- ⊙ 14.22mm(0.56inch) HIGH CHARACTER
- ⊙ EXCELLENT CHARACTER APPERARANCE
- ⊙ COMMON CATHODE AND COMMON ANODE
- ⊙ I.C. COMPATABLE
- ⊙ LOW POWER CONSUMPTION

### ◆ PACKAGE DIMENSIONS

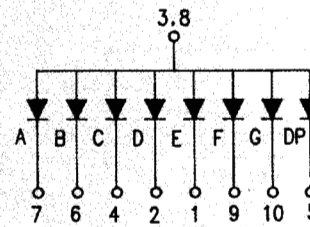


### ◆ PIN CONNECTION AND INTERNAL CIRCUIT

C-561X



A-561X



#### NOTES:

1. All Dimension are in millimeter(inches).
2. Tolerance is  $\pm 0.25\text{mm}(0.010\text{'})$  unless otherwise specified.

### ◆ SELECTION GUIDE AND APPLICATION INFORMATION (RATINGS AT 25°C AMBIENT)

Part No.	Remark 1 Sur / Seg Color	Chip Raw Material	C.C. or C.A.	Wave Length $\lambda$ p(nm)	Absolute Maximum Ratings					Electro-Optical Characteristics					Re- mark 2
					$\Delta \lambda$ nm	Pd mW	If mA	If (Peak)	Vf(V) Min.	Typ.	Max.	If (Rec) Min.	Typ.	Iv ( $\mu$ cd) Min.	
C-561R	GW,BW,BR,RR	GaAsP	Red	655	40	110	40	200	1.5	1.7	2.0	10~20	200	500	
C-561H	GW,BW,BR,RR	GaP	Bright Red	700	90	45	15	50	1.7	2.1	2.8	5~10	300	650	
C-561E	GW,BW,BR,RR	GaAsP/GaP	Hi. effi Red	635	45	100	30	160	1.7	2.0	2.8	10~20	750	2000	
C-561G	GW,BW,GGn,BGn	GaP	Green	565	30	100	30	160	1.7	2.1	2.8	10~20	750	2000	
C-561Y	GW,BW,GY,BY	GaAsP/GaP	Yellow	585	30	100	30	160	1.7	2.1	2.8	10~20	700	1600	
C-561I	GW,BW,BR,RR	GaAlAs	Hi. effi Red	625	20	60	20	160	1.6	1.8	2.1	10~20	2000	6000	
C-561SR	GW,BW,BR,RR	GaAlAs	Super Red	660	20	60	20	160	1.6	1.8	2.1	10~20	5600	21000	
A-561R	GW,BW,BR,RR	GaAsP	Red	655	40	110	40	200	1.5	1.7	2.0	10~20	200	500	
A-561H	GW,BW,BR,RR	GaP	Bright Red	700	90	45	15	50	1.7	2.1	2.8	5~10	300	650	
A-561E	GW,BW,BR,RR	GaAsP/GaP	Hi. effi Red	635	45	100	30	160	1.7	2.0	2.8	10~20	750	2000	
A-561G	GW,BW,GGn,BGn	GaP	Green	565	30	100	30	160	1.7	2.1	2.8	10~20	750	2000	
A-561Y	GW,BW,GY,BY	GaAsP/GaP	Yellow	585	30	100	30	160	1.7	2.1	2.8	10~20	700	1600	
A-561I	GW,BW,BR,RR	GaAlAs	Hi. effi Red	625	20	60	20	160	1.6	1.8	2.1	10~20	2000	6000	
A-561SR	GW,BW,BR,RR	GaAlAs	Super Red	660	20	60	20	160	1.6	1.8	2.1	10~20	5600	21000	

#### Remark 1 : Selection of Surface color & Segment color

GW : Grey surface & White segment  
 BW : Black surface & White segment  
 BR : Black surface & Red segment  
 RR : Red surface & Red segment

GGn : Grey surface & Green segment  
 BGn : Black surface & Green segment  
 GY : Grey surface & Yellow segment  
 BY : Black surface & Yellow segment

\*\*\*\*\*Please indicate Surface Color & Segment Color when place order or request samples.\*\*\*\*\*

For example : C-561R B/R is 0.56 inch Single digit display with Black Surface & Red Segment.

Normally, GW ( Grey surface & White segment ) is standard product.

### ◆ ABSOLUTE MAXIMUM RATING: (Ta=25°C)

Reverse Voltage	: 5 Volt
Reverse Current( Vr = 5V )	: 10 $\mu$ A
Operating Temperature Range	: -40°C to +85°C
Storage Temperature Range	: -40°C to +100°C
Lead Soldering Temperature	: 260°C for 5 Seconds
(1.6mm(1/16inch) from body)	

### ◆ ELECTRO-OPTICAL CHARACTERISTICS: (Ta=25°C)

Para meter Description	Symbol	Unit
Spectral Line half-Width	$\Delta \lambda$	nm
Power Dissipation	Pd	mW
Peak Forward Current (Duty 1/10,@KHz)	If(Peak)	mA
Recommended Operation Current	If(Rec)	mA
Average Luminuous intensity (If = 10mA)	Iv	mcd