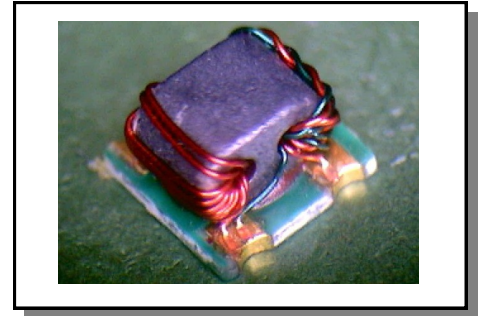


Transformer, 1:1 Transmission Line
5 MHz - 1200 MHz

Rev. V2

Features

- Surface Mount
- 1:1 Impedance, with tertiary winding.
- Excellent amplitude and phase balance
- 260°C Reflow Compatible
- RoHS* Compliant



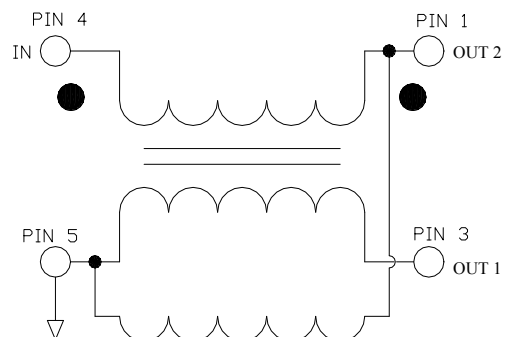
Electrical Specifications: $Z_0 = 50\Omega$, $T_A = 25^\circ\text{C}$, $P_{in} = 0\text{dBm}$

Parameter	Conditions	Units	Min	Typ	Max
Frequency Range		MHz	5		1200
Impedance		Ω		50	
Impedance Ratio				1:1	
Insertion Loss	5 - 1000 MHz	dB	-	0.6	1.0
	1000 - 1200 MHz	dB	-	0.8	1.1
Amplitude Balance (Reference Level 0dB)	5 - 50 MHz	dB	-0.8	0.35	0.8
	50 - 1200 MHz	dB	-0.5	0.1	0.5
Phase Balance (Reference Level 180°)	5 - 50 MHz	°	-13.0	3.0	13.0
	50 - 1000 MHz	°	-4.5	2.0	4.5
	1000 - 1000 MHz	°	-10.0	3.0	10.0
Input Return Loss	5 - 50 MHz	dB	18	24	-
	50 - 1200 MHz	dB	10	13	-

Pin Configuration

Pin No.	Function
1	Secondary Dot (output 2)
2	Not Connected (ground)
3	Secondary (output 1)
4	Primary Dot (input)
5	Primary (ground)

Schematic

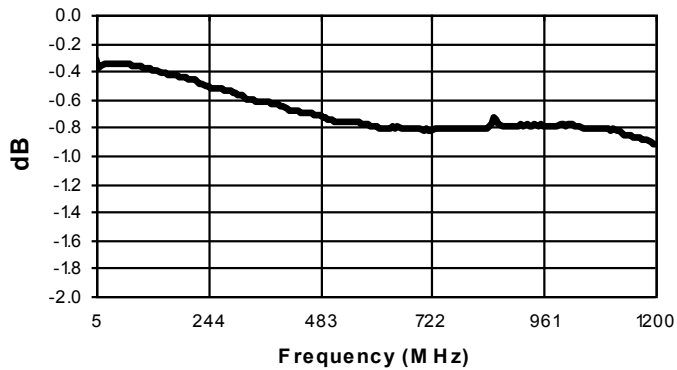


Transformer, 1:1 Transmission Line
5 MHz - 1200 MHz

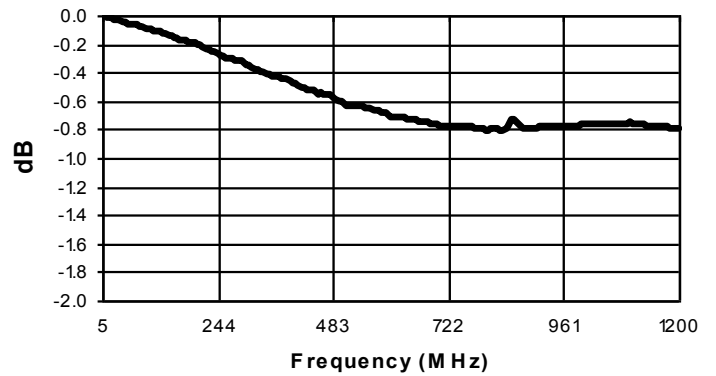
Rev. V2

Electrical Specifications: $Z_0 = 50\Omega$, $T_A = 25^\circ\text{C}$, $P_{in} = 0\text{dBm}$

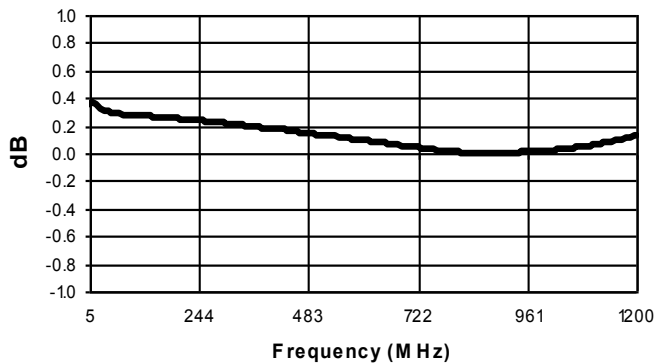
Insertion Loss 1 (through pin 4 to pin 3)



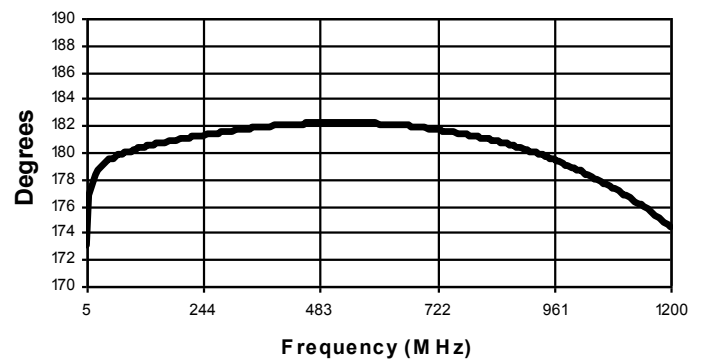
Insertion Loss 2 (coupled pin 4 to pin 1)



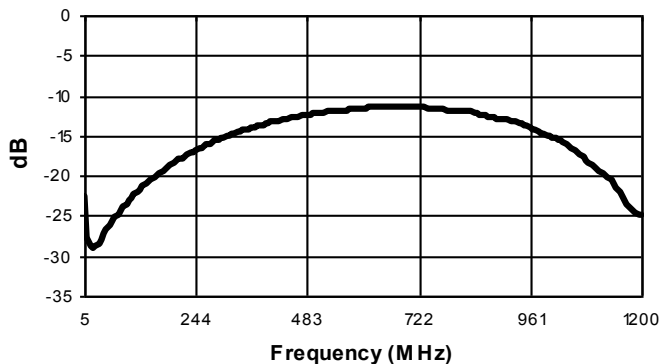
Amplitude Balance



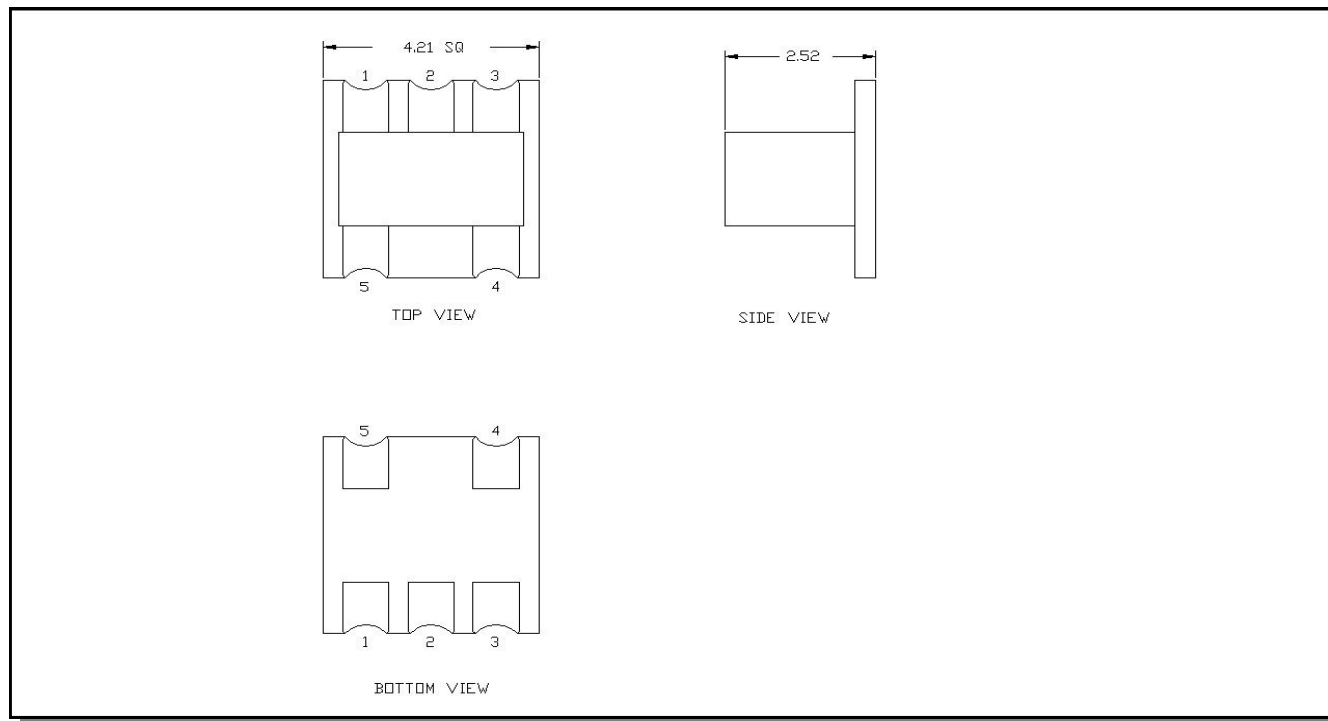
Phase Balance



Return Loss: Input (pin4)

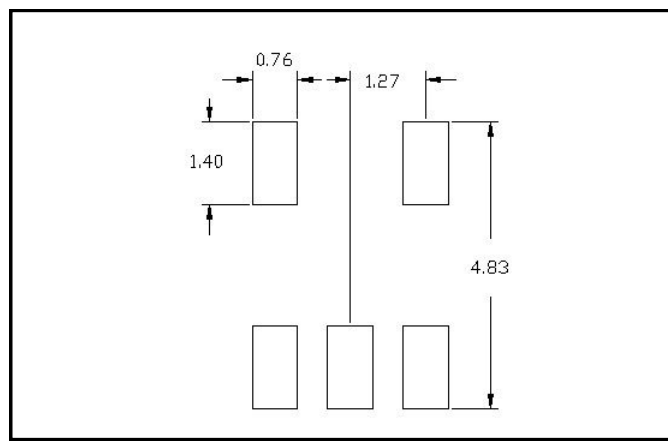


Outline Drawing



1. Dimensions in mm.
2. Tolerance: $\pm 0.2\text{mm}$ unless otherwise noted.
3. Model number and lot code printed on reel.
4. Plating finish: ENIG on both sides

Recommended Footprint



Tape & Reel Information

Parameter	Units	Value
Qty per reel	-	2000
Reel Size	mm	330
Tape Width	mm	12.00
Pitch	mm	8.00
Ao	mm	4.50
Bo	mm	4.50
Ko	mm	2.73
Orientation	-	F31
Reference Application Note ANI-019 for orientation		

Ordering Information

Part Number	Description
MABACT0060	Tape & Reel

Recommended Maximum Ratings

Parameter	Units	Min	Max
Input Power	mW		250
DC Current	mA		240
Operating Temperature Range	°C	-40	+85

Temperature data available on request

M/A-COM Technology Solutions Inc. All rights reserved.

Information in this document is provided in connection with M/A-COM Technology Solutions Inc ("MACOM") products. These materials are provided by MACOM as a service to its customers and may be used for informational purposes only. Except as provided in MACOM's Terms and Conditions of Sale for such products or in any separate agreement related to this document, MACOM assumes no liability whatsoever. MACOM assumes no responsibility for errors or omissions in these materials. MACOM may make changes to specifications and product descriptions at any time, without notice. MACOM makes no commitment to update the information and shall have no responsibility whatsoever for conflicts or incompatibilities arising from future changes to its specifications and product descriptions. No license, express or implied, by estoppel or otherwise, to any intellectual property rights is granted by this document.

THESE MATERIALS ARE PROVIDED "AS IS" WITHOUT WARRANTY OF ANY KIND, EITHER EXPRESS OR IMPLIED, RELATING TO SALE AND/OR USE OF MACOM PRODUCTS INCLUDING LIABILITY OR WARRANTIES RELATING TO FITNESS FOR A PARTICULAR PURPOSE, CONSEQUENTIAL OR INCIDENTAL DAMAGES, MERCHANTABILITY, OR INFRINGEMENT OF ANY PATENT, COPYRIGHT OR OTHER INTELLECTUAL PROPERTY RIGHT. MACOM FURTHER DOES NOT WARRANT THE ACCURACY OR COMPLETENESS OF THE INFORMATION, TEXT, GRAPHICS OR OTHER ITEMS CONTAINED WITHIN THESE MATERIALS. MACOM SHALL NOT BE LIABLE FOR ANY SPECIAL, INDIRECT, INCIDENTAL, OR CONSEQUENTIAL DAMAGES, INCLUDING WITHOUT LIMITATION, LOST REVENUES OR LOST PROFITS, WHICH MAY RESULT FROM THE USE OF THESE MATERIALS.

MACOM products are not intended for use in medical, lifesaving or life sustaining applications. MACOM customers using or selling MACOM products for use in such applications do so at their own risk and agree to fully indemnify MACOM for any damages resulting from such improper use or sale.