

Silicon NPN Power Transistors

2SC4468

DESCRIPTION

- With TO-3PN package
- Complement to type 2SA1695

APPLICATIONS

- Audio and general purpose

PINNING

PIN	DESCRIPTION
1	Base
2	Collector;connected to mounting base
3	Emitter

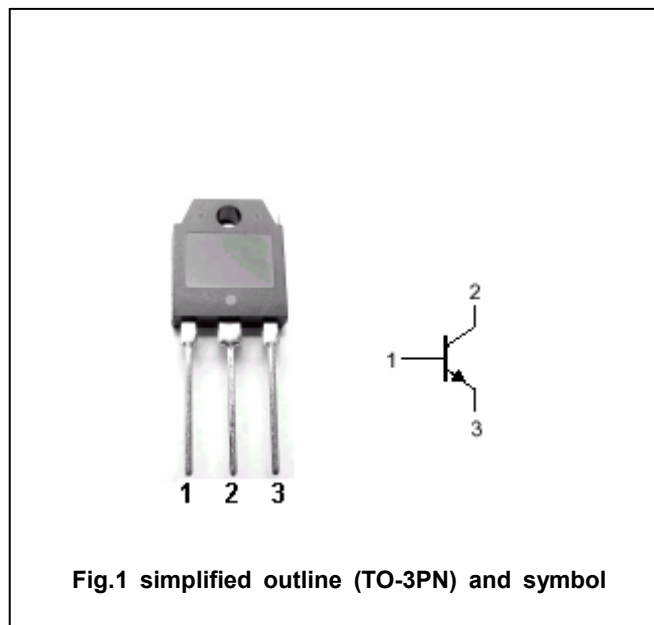


Fig.1 simplified outline (TO-3PN) and symbol

Absolute maximum ratings(Ta=□)

SYMBOL	PARAMETER	CONDITIONS	VALUE	UNIT
V _{CBO}	Collector-base voltage	Open emitter	200	V
V _{CEO}	Collector-emitter voltage	Open base	140	V
V _{EBO}	Emitter-base voltage	Open collector	6	V
I _C	Collector current		10	A
I _B	Base current		4	A
P _C	Collector power dissipation	T _C =25□	100	W
T _j	Junction temperature		150	□
T _{stg}	Storage temperature		-55~150	□

Silicon NPN Power Transistors

2SC4468

CHARACTERISTICS

Tj=25°C unless otherwise specified

SYMBOL	PARAMETER	CONDITIONS	MIN	TYP.	MAX	UNIT
$V_{(BR)CEO}$	Collector-emitter breakdown voltage	$I_C=50mA ; I_B=0$	140			V
V_{CEsat}	Collector-emitter saturation voltage	$I_C=5A ; I_B=0.5A$			0.5	V
I_{CBO}	Collector cut-off current	$V_{CB}=200V ; I_E=0$			10	μA
I_{EBO}	Emitter cut-off current	$V_{EB}=6V ; I_C=0$			10	μA
h_{FE}	DC current gain	$I_C=3A ; V_{CE}=4V$	50		180	
C_{OB}	Output capacitance	$I_E=0 ; V_{CB}=10V, f=1MHz$		250		pF
f_T	Transition frequency	$I_C=0.5A ; V_{CE}=12V$		20		MHz

Switching times

t_{on}	Turn-on time	$I_C=5A ; R_L=12\Omega$ $I_{B1}=-I_{B2}=0.5A$ $V_{CC}=60V$		0.24		μs
t_s	Storage time			4.32		μs
t_f	Fall time			0.40		μs

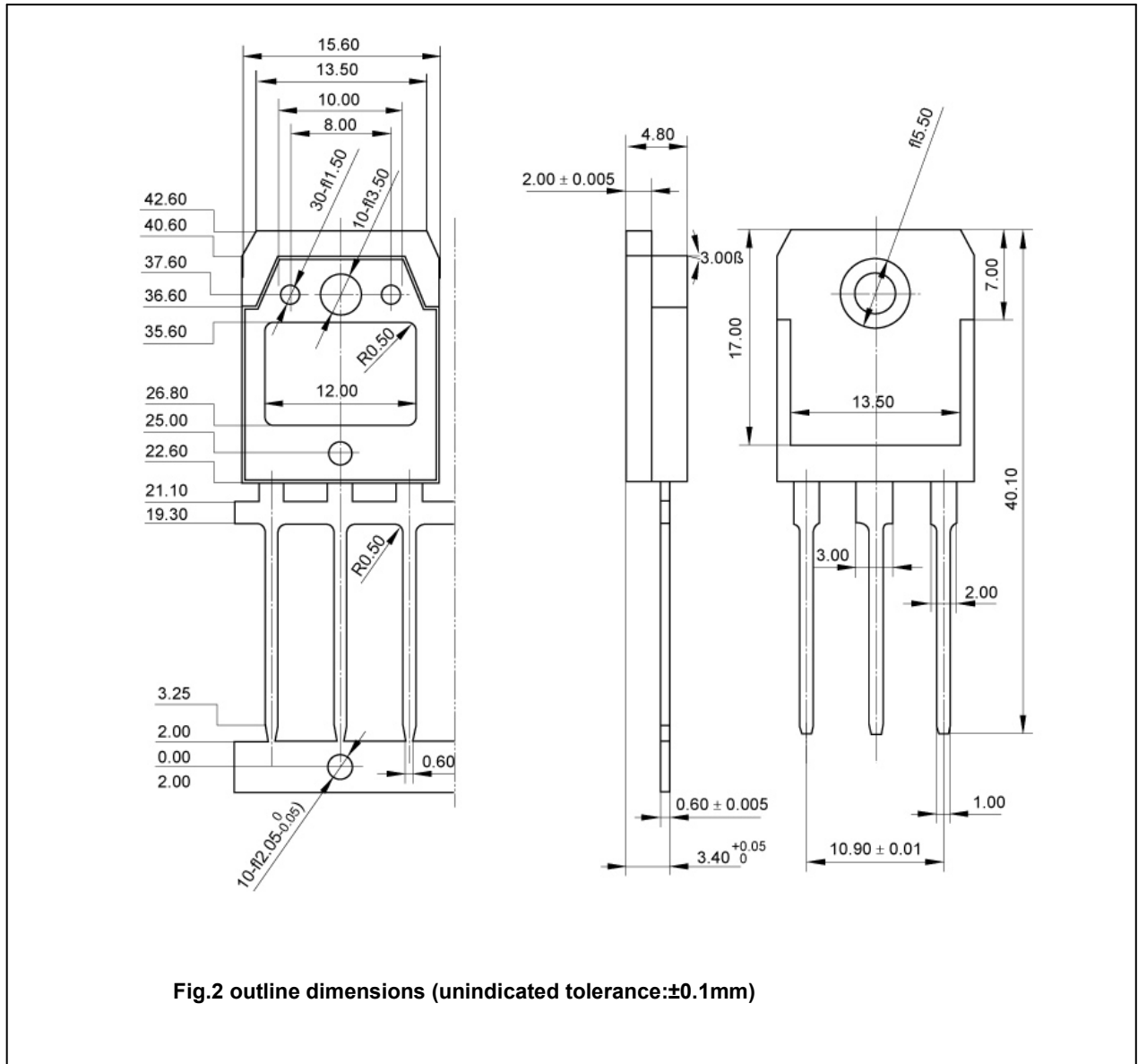
◆ h_{FE} Classifications

O	P	Y
50-100	70-140	90-180

Silicon NPN Power Transistors

2SC4468

PACKAGE OUTLINE



Silicon NPN Power Transistors

2SC4468

