

General Specifications

MATERIALS

Insulator: Blue glass filled thermoplastic polyester Valox UL 94V-O Approved;
Green glass filled polyphenylene sulfide Ryton UL 94V-O Approved;
Natural brown polyetheretherketone Peek UL 94V-O Approved;
Other materials available.

Contacts: Phosphor Bronze (Standard); Beryllium Copper; Pfinodal;
Beryllium Nickle.

Contact Plating: Gold and/or Tin over .000050" Nickle Under Plate.

UL File Number: E64287

CSA File Number: 69695

Federal ID Number: 54453

MECHANICAL

Board Insertion Force: 16 oz. maximum per contact using
.062" (1.57) steel test blade

Board Withdraw Force: 1 oz. minimum per contact using
.062" (1.57) steel test blade

ELECTRICAL

Insulation Resistance: 5,000 megohms

Dielectric Withstanding Voltage:

Contact

| | | | | | |
|----------|-------------|------------|-------------|-------------|-------------|
| Centers— | .050 (1.27) | .100(2.54) | .125 (3.17) | .150 (3.81) | .156 (3.96) |
| Voltage— | 250 VDC | 600 VDC | 800 VDC | 1500 VDC | 1800 VDC |

Current Rating: 3 amperes

Voltage Drop: 30 millivolts at rated current

Contact Resistance: 10 milliohms maximum at 3 amp rating.

ENVIRONMENTAL

Solvent Resistance: Perchloroethylene, Freon 113, Freon 11, Trichloroethylene

Operating Temperature: Valox* -65° to +135° C Phosphor Bronze -65° to +125° C
Ryton* -65° to +220° C Beryllium Copper -65° to +150° C
Peek -65° to +250° C Pfinodal* -65° to +200° C
Beryllium Nickle -65° to +300° C

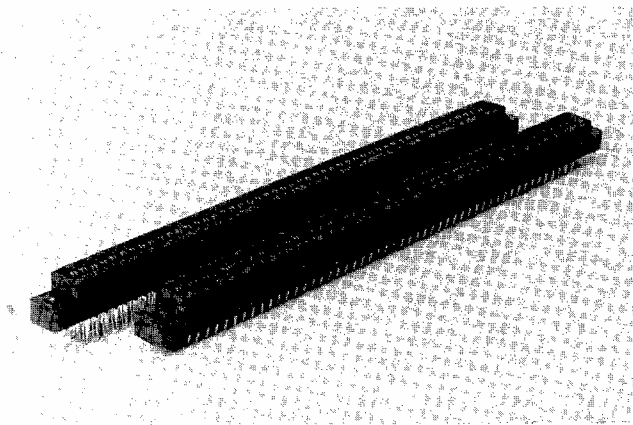
(Continuous temperatures, higher for short duration.)

*Or equivalent

Special Applications

Sullins connectors are available with over 700 modifications for customers with specific applications. If your design application has unique dimensions, requires special materials for insulators or contacts, or demands an unusual plating thickness, etc., Sullins will be happy to evaluate your engineering requirements.

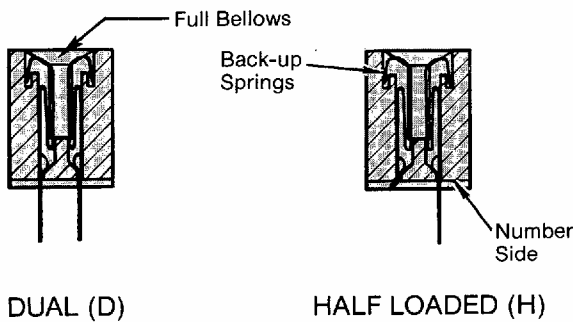




Features

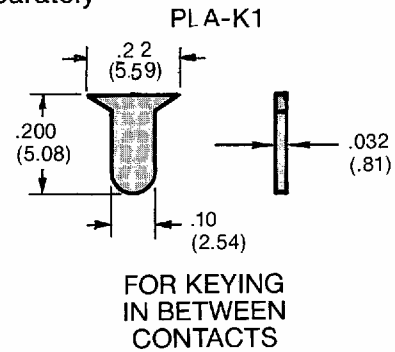
- STD Bus available in all configurations
- Accommodates .062 (± .008) PC Board
- Solvent resistant insulator U.L. recognized
- Between contact polarization available
- 3 ampere current rating
- Contact resistance 10 milliohms max
- Bifurcated full bellows contacts
- Blue Valox or Green Ryton insulator

Readout

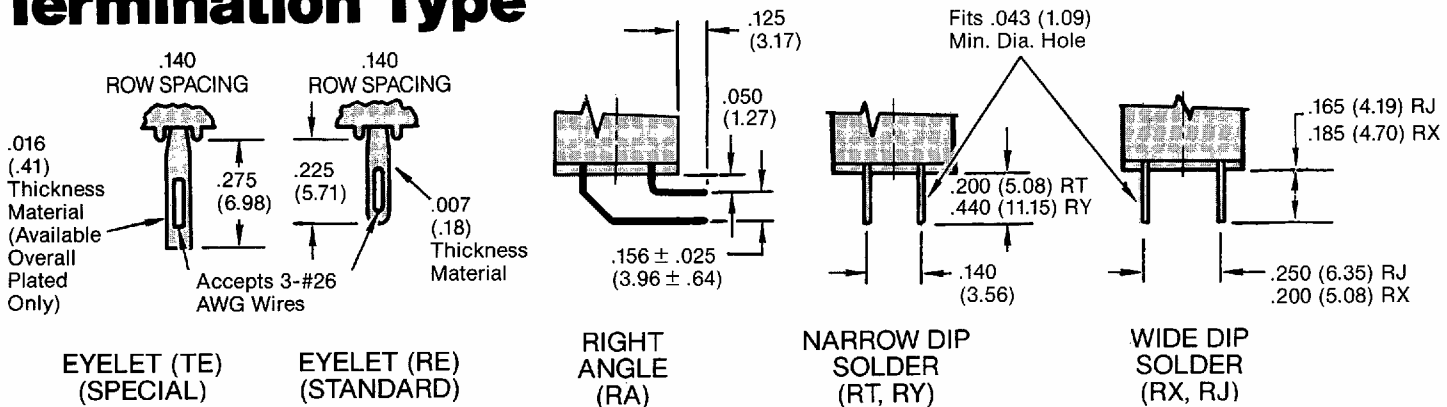


Polarizing Key

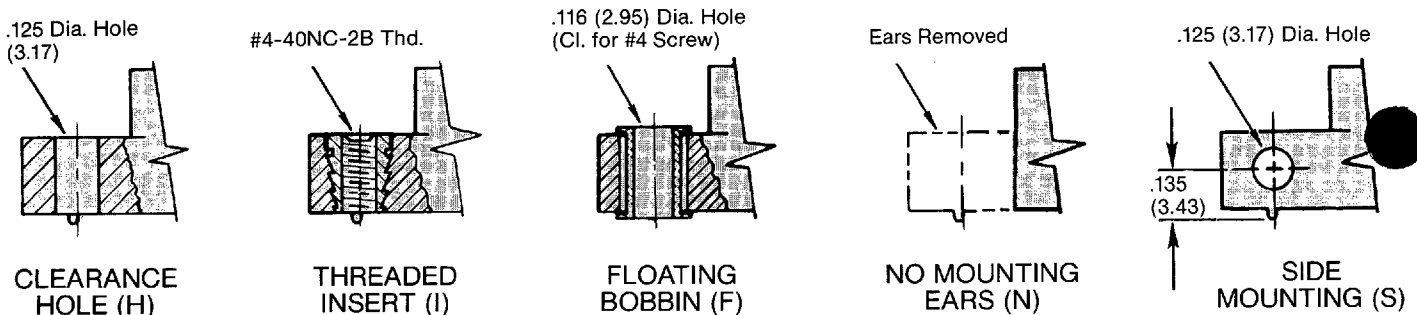
Order Separately



Termination Type



Mounting Style



Low Profile Dip Solder/Eyelet Edgecard Connectors

Sullins orderline:
619/744-0125
Fax/744-6081

Part Number Coding

MATERIALS (Insulator/Contact) — **E Z A 43 D R E H -S13** See page 35 for additional modifications

- E = Valox/Phosphor Bronze (Standard)
- H = Valox/Beryllium Copper
- R = Ryton/Phosphor Bronze
- A = Ryton/Beryllium Copper
- C = Ryton/Beryllium Nickel (Consult Factory)
- N = Peek/Beryllium Copper (Consult Factory)
- W = Peek/Beryllium Nickel (Consult Factory)
- F = Ryton/Pfinodal* (Consult Factory)

CONTACT FINISH

| Contact Surface | Termination | |
|------------------|-----------------|------------|
| Z = .000010 Gold | .000100 Tin | .000050 |
| X = .000030 Gold | .000100 Tin | Nickle |
| G = .000010 Gold | .000005 Gold | underplate |
| Y = .000030 Gold | .000005 Gold | |
| Contact Surface | Overall Plating | |
| T = .000100 Tin | .000100 Tin | |
| S = .000010 Gold | .000010 Gold | |
| M = .000030 Gold | .000010 Gold | |

CONTACT CENTERS
A = .125 (3.17)

MODIFICATIONS (Consult Factory)
OMIT FOR STANDARD
-S13 = Card Extender Formed to Fit .062 (1.57) PCB

MOUNTING STYLE
H = Clearance Hole
N = No Mounting Ears
S = Side Mounting
I = Threaded Insert
F = Floating Bobbin

TERMINATION TYPE
RA = Right Angle
RE = Eyelet (Standard)
TE = Eyelet (Overall Plated Only)
RT = .140 (3.56) × .200 (5.08) Dip Solder
RY = .140 (3.56) × .440 (11.15) Dip Solder
RX = .200 (5.08) × .185 (4.70) Dip Solder
RJ = .250 (6.35) × .165 (4.19) Dip Solder

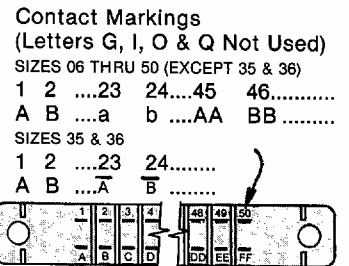
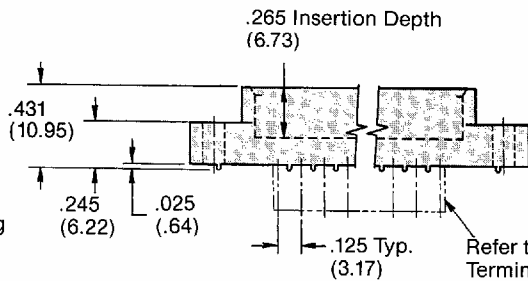
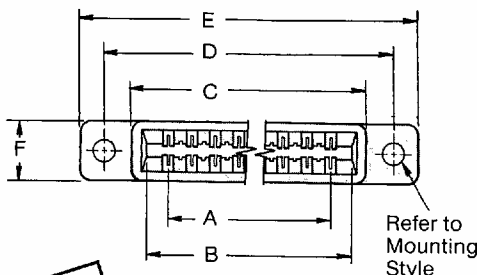
READOUT
D = Dual
H = Half Loaded

NUMBER OF CONTACT POSITIONS
06 thru 50

*High tin solder cannot be used with Pfinodal contacts in applications greater than 150°C. Consult factory for recommendation.

Dimensions

Dimensions in () are in millimeters, all others are in inches. Tolerance with Ryton Insulator material may vary slightly due to shrinkage differential; consult factory.



STD BUS

| PART NUMBER † | NUMBER OF CONTACTS | INCHES | | | | | | MILLIMETERS | | | | | |
|---------------|--------------------|--------------|--------------|--------------|--------------|--------------|---------|--------------|--------------|--------------|---------------|---------------|---------|
| | | A ±.008 | B ±.008 | C ±.015 | D ±.010 | E ±.020 | F ±.005 | A ±0.20 | B ±0.20 | C ±0.38 | D ±0.25 | E ±0.51 | F ±0.13 |
| EZA06 | 6/12 | 0.625 | 0.875 | 1.035 | 1.295 | 1.575 | 330 | 15.88 | 22.23 | 26.29 | 32.89 | 40.01 | 8.38 |
| EZA10 | 10/20 | 1.125 | 1.375 | 1.535 | 1.795 | 2.075 | | 28.58 | 34.93 | 38.99 | 45.59 | 52.71 | |
| EZA14 | 14/28 | 1.625 | 1.875 | 2.035 | 2.295 | 2.575 | | 41.28 | 47.63 | 51.69 | 58.29 | 65.41 | |
| EZA15 | 15/30 | 1.750 | 2.000 | 2.160 | 2.420 | 2.700 | | 44.45 | 50.80 | 54.86 | 61.47 | 68.58 | |
| EZA18 | 18/36 | 2.125 | 2.375 | 2.535 | 2.795 | 3.075 | | 53.98 | 60.33 | 64.39 | 70.99 | 78.11 | |
| EZA22 | 22/44 | 2.625 | 2.875 | 3.035 | 3.295 | 3.575 | | 66.66 | 73.03 | 77.09 | 83.69 | 90.81 | |
| EZA28 | 28/56 | 3.375 | 3.625 | 3.785 | 4.045 | 4.325 | | 85.73 | 92.08 | 96.14 | 102.74 | 109.86 | |
| EZA30 | 30/60 | 3.625 | 3.875 | 4.035 | 4.295 | 4.575 | | 92.08 | 98.43 | 102.49 | 109.09 | 116.21 | |
| EZA31 | 31/62 | 3.750 | 4.000 | 4.160 | 4.420 | 4.700 | | 95.25 | 101.60 | 105.66 | 112.27 | 119.38 | |
| EZA35 | 35/70 | 4.250 | 4.500 | 4.660 | 4.920 | 5.200 | | 107.95 | 114.30 | 118.36 | 124.97 | 132.08 | |
| EZA36 | 36/72 | 4.375 | 4.625 | 4.785 | 5.045 | 5.325 | | 111.13 | 117.48 | 121.54 | 128.14 | 135.26 | |
| EZA37 | 37/74 | 4.500 | 4.750 | 4.910 | 5.170 | 5.450 | | 114.30 | 120.65 | 124.71 | 131.32 | 138.43 | |
| EZA40 | 40/80 | 4.875 | 5.125 | 5.285 | 5.545 | 5.825 | 123.83 | 130.18 | 134.24 | 140.84 | 147.96 | | |
| EZA43 | 43/86 | 5.250 | 5.500 | 5.660 | 5.920 | 6.200 | 133.35 | 139.70 | 143.76 | 150.37 | 157.48 | | |
| EZA44 | 44/88 | 5.375 | 5.625 | 5.785 | 6.045 | 6.325 | 136.53 | 142.88 | 146.94 | 153.54 | 160.66 | | |
| EZA49 | 49/98 | 6.000 | 6.250 | 6.410 | 6.670 | 6.950 | 152.40 | 158.75 | 162.81 | 169.42 | 176.53 | | |
| EZA50 | 50/100 | 6.125 | 6.375 | 6.535 | 6.795 | 7.075 | 155.58 | 161.93 | 165.99 | 172.59 | 179.71 | | |

†For complete part number add readout, termination type and mounting style from Part Number Coding (e.g. EZA15DREH).
‡Consult factory for availability.