



UT3415

POWER MOSFET

-4.0A, -20V P-CHANNEL POWER MOSFET

DESCRIPTION

The UTC **UT3415** is a P-channel MOS Field Effect Transistor. it uses UTC's advanced technology to provide the customers with high switching speed and a minimum on-state resistance.

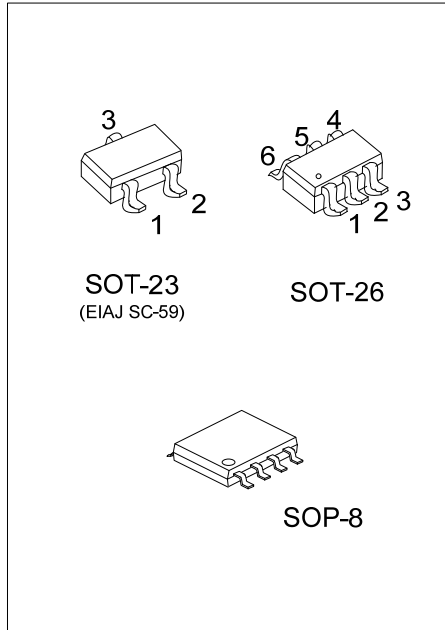
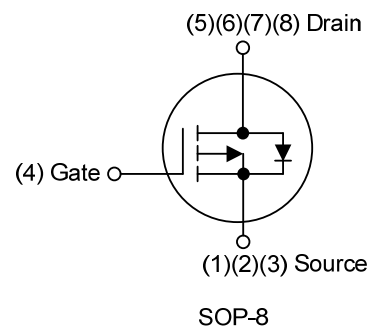
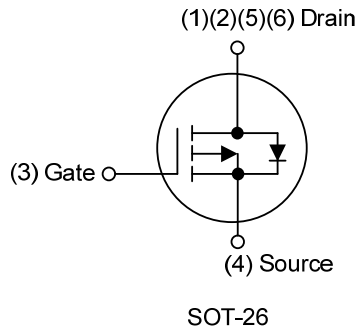
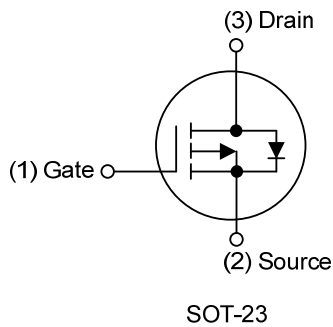
The UTC **UT3415** is suitable for high voltage switching applications.

FEATURES

- * $R_{DS(ON)} \leq 45 \text{ m}\Omega$ @ $V_{GS} = -4.5\text{V}$, $I_D = -4.0\text{A}$
- $R_{DS(ON)} \leq 62 \text{ m}\Omega$ @ $V_{GS} = -2.5\text{V}$, $I_D = -4.0\text{A}$
- $R_{DS(ON)} \leq 84 \text{ m}\Omega$ @ $V_{GS} = -1.8\text{V}$, $I_D = -2.0\text{A}$
- $R_{DS(ON)} \leq 105 \text{ m}\Omega$ @ $V_{GS} = -1.5\text{V}$, $I_D = -1.0\text{A}$

- * High switching speed
- * Low input capacitance

SYMBOL



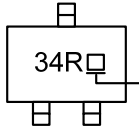
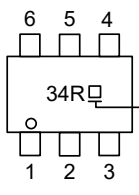
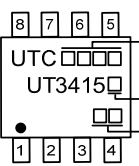
ORDERING INFORMATION

Ordering Number		Package	Pin Assignment								Packing
Lead Free	Halogen Free		1	2	3	4	5	6	7	8	
UT3415L-AE3-R	UT3415G-AE3-R	SOT-23	G	S	D	-	-	-	-	-	Tape Reel
UT3415L-AG6-R	UT3415G-AG6-R	SOT-26	D	D	G	S	D	D	-	-	Tape Reel
UT3415L-S08-R	UT3415G-S08-R	SOP-8	S	S	S	G	D	D	D	D	Tape Reel

Note: Pin Assignment: G: Gate S: Source D: Drain

<p>UT3415G-AE3-R</p> <ul style="list-style-type: none"> (1) Packing Type (2) Package Type (3) Green Package 	<ul style="list-style-type: none"> (1) R: Tape Reel (2) AE3: SOT-23, AG6: SOT-26, S08: SOP-8 (3) G: Halogen Free and Lead Free, L: Lead Free
--	---

■ MARKING

PACKAGE	MARKING
SOT-23	 <p>34R□</p> <p>L: Lead Free G: Halogen Free</p>
SOT-26	 <p>34R□</p> <p>L: Lead Free G: Halogen Free</p>
SOP-8	 <p>8 7 6 5 → Date Code</p> <p>UTC □ □ □ □</p> <p>UT3415 □ → L: Lead Free G: Halogen Free</p> <p>□ □ → Lot Code</p> <p>1 2 3 4</p>

■ ABSOLUTE MAXIMUM RATING ($T_A=25^{\circ}\text{C}$, unless otherwise specified)

PARAMETER		SYMBOL	RATINGS	UNIT
Drain-Source Voltage		V_{DSS}	-20	V
Gate-Source Voltage		V_{GSS}	± 8	V
Drain Current	DC	I_D	-4	A
	Pulsed (Note 2)	I_{DM}	-8	A
Single Avalanche Energy (Note 3)		E_{AS}	48	mJ
Peak Diode Recovery dv/dt (Note 4)		dv/dt	1.38	V/ns
Power Dissipation	SOT-23	P_D	0.7	W
	SOT-26		0.6	W
	SOP-8		1	W
Junction Temperature		T_J	+150	$^{\circ}\text{C}$
Storage Temperature Range		T_{STG}	-55 ~ +150	$^{\circ}\text{C}$

Notes: 1. Absolute maximum ratings are those values beyond which the device could be permanently damaged.

Absolute maximum ratings are stress ratings only and functional device operation is not implied.

2. Repetitive Rating: Pulse width limited by maximum junction temperature.

3. $L=0.1\text{mH}$, $I_{AS}=-31.1\text{A}$, $V_{DD}=-20\text{V}$, $R_G=25\Omega$, Starting $T_J=25^{\circ}\text{C}$.

4. $I_{SD}\leq 1.0\text{A}$, $di/dt\leq 200\text{A}/\mu\text{s}$, $V_{DD}\leq BV_{DSS}$, Starting $T_J=25^{\circ}\text{C}$.

■ THERMAL DATA

PARAMETER		SYMBOL	RATINGS	UNIT
Junction to Ambient	SOT-23	θ_{JA}	177	$^{\circ}\text{C}/\text{W}$
	SOT-26		208	$^{\circ}\text{C}/\text{W}$
	SOP-8		125	$^{\circ}\text{C}/\text{W}$

Note: Device mounted on FR-4 substrate PC board, 2oz copper, with 1inch square copper plate.

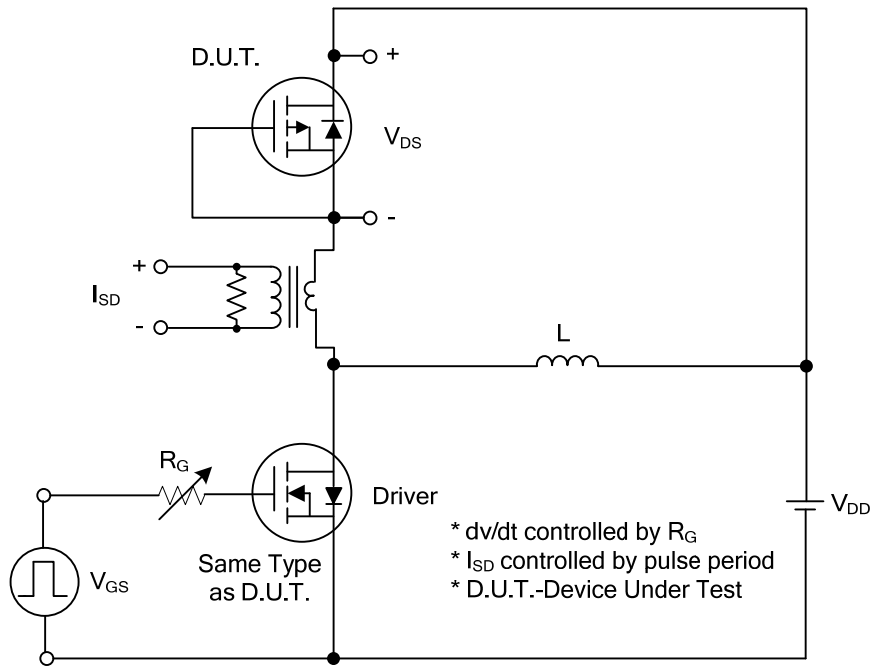
■ ELECTRICAL CHARACTERISTICS (T_A=25°C unless otherwise specified)

PARAMETER	SYMBOL	TEST CONDITIONS	MIN	TYP	MAX	UNIT
OFF CHARACTERISTICS						
Drain-Source Breakdown Voltage	BV _{DSS}	V _{GS} =0 V, I _D =-250 μA	-20			V
Drain-Source Leakage Current	I _{DSS}	V _{DS} =-20V, V _{GS} =0V			-1.0	μA
Gate-Source Leakage Current	Forward	I _{GSS} V _{GS} =+8V, V _{DS} =0V			+100	nA
	Reverse		V _{GS} =-8V, V _{DS} =0V			-100
ON CHARACTERISTICS						
Gate Threshold Voltage	V _{GS(TH)}	V _{DS} = V _{GS} , I _D =-250μA	-0.3		-0.9	V
Static Drain-Source On-State Resistance	R _{DS(ON)}	V _{GS} =-4.5V, I _D =-4.0A			45	mΩ
		V _{GS} =-2.5V, I _D =-4.0A			62	mΩ
		V _{GS} =-1.8V, I _D =-2.0A			84	mΩ
		V _{GS} =-1.5V, I _D =-1.0A			105	mΩ
DYNAMIC PARAMETERS						
Input Capacitance	C _{ISS}	V _{GS} =0V, V _{DS} =-10V, f=1.0MHz		1000		pF
Output Capacitance	C _{OSS}			200		pF
Reverse Transfer Capacitance	C _{RSS}			170		pF
SWITCHING PARAMETERS						
Total Gate Charge	Q _G	V _{DS} =-10V, V _{GS} =-10V, I _D =-4.0A , I _G =-1mA (Note 1, 2)		30		nC
Gate to Source Charge	Q _{GS}			1.5		nC
Gate to Drain Charge	Q _{GD}			4		nC
Turn-ON Delay Time	t _{D(ON)}	V _{DD} =-10V, V _{GS} =-10V, I _D =-4.0A, R _G =3Ω (Note 1, 2)		4		ns
Rise Time	t _R			17		ns
Turn-OFF Delay Time	t _{D(OFF)}			44		ns
Fall-Time	t _F			26		ns
SOURCE-DRAIN DIODE RATINGS AND CHARACTERISTICS						
Maximum Continuous Drain-Source Diode Forward Current	I _S				-4	A
Maximum Pulsed Drain-Source Diode Forward Current	I _{SM}				-8	A
Diode Forward Voltage	V _{SD}	I _F =-4.0A, V _{GS} =0V			-1.4	V

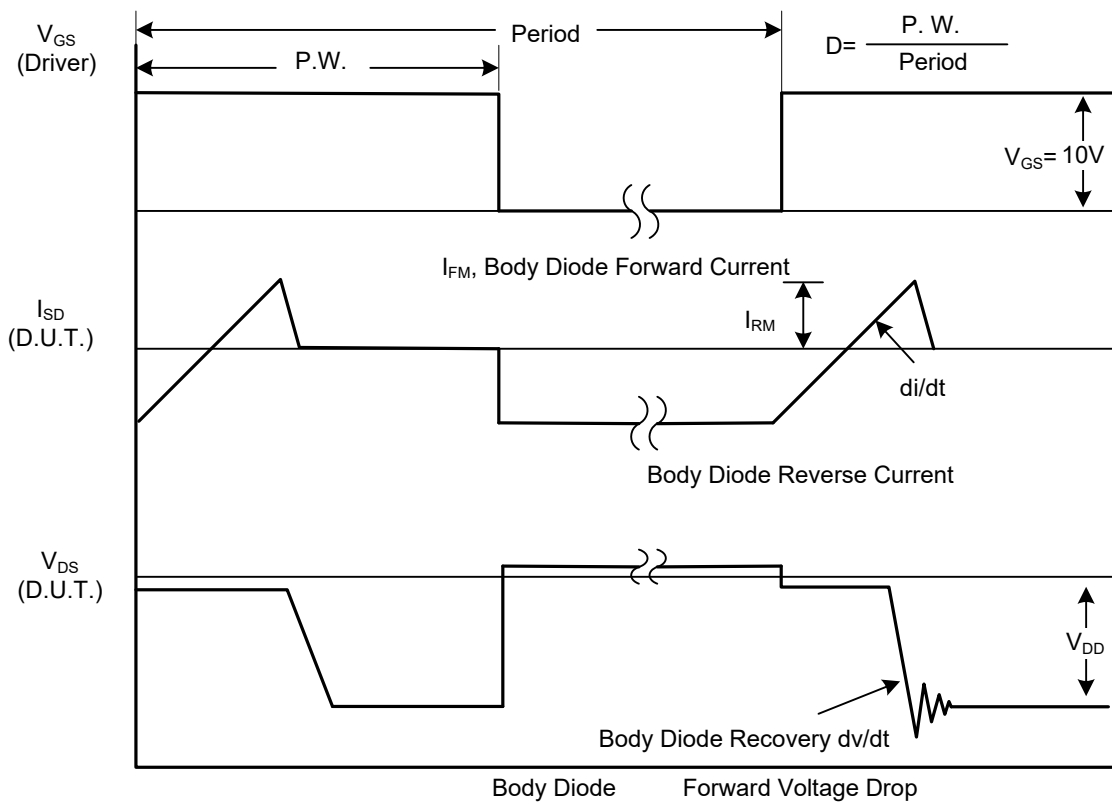
Notes: 1. Pulse Test: Pulse width ≤ 300μs, Duty cycle ≤ 2%.

2. Essentially independent of operating temperature.

■ TEST CIRCUITS AND WAVEFORMS

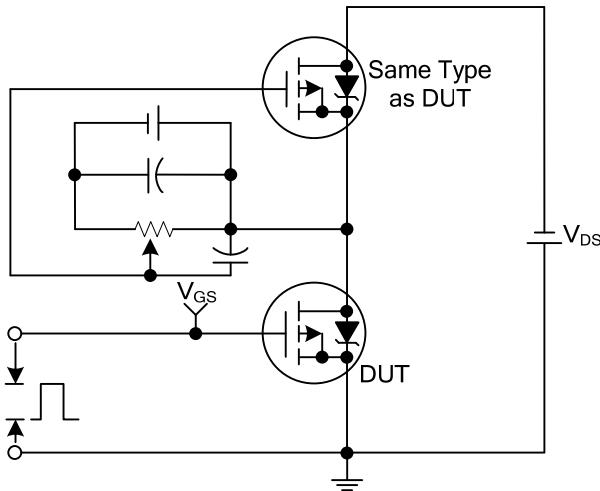


Peak Diode Recovery dv/dt Test Circuit

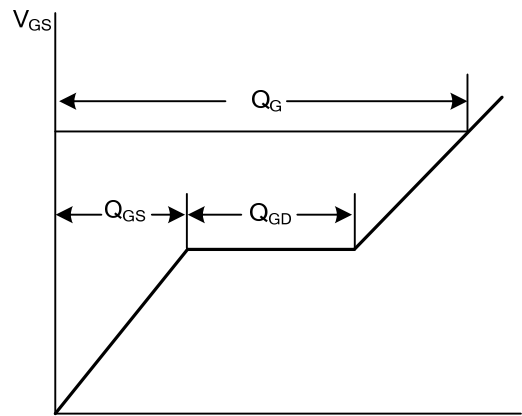


Peak Diode Recovery dv/dt Waveforms

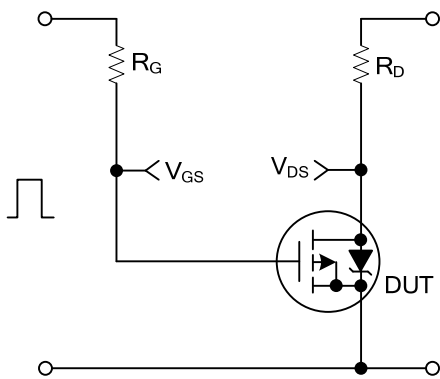
■ TEST CIRCUITS AND WAVEFORMS



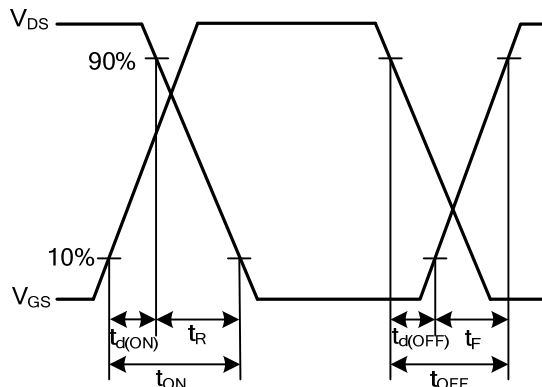
Gate Charge Test Circuit



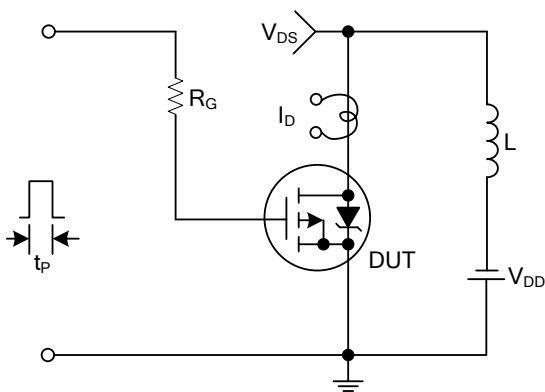
Gate Charge Waveforms



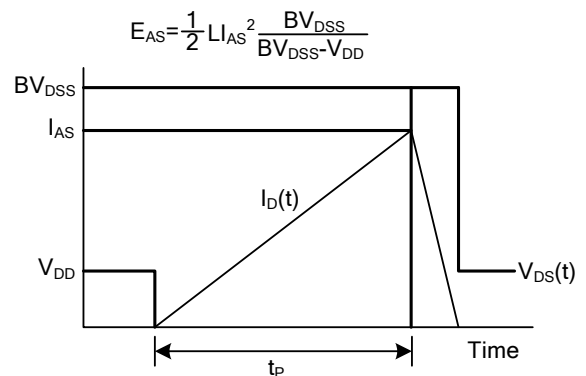
Resistive Switching Test Circuit



Resistive Switching Waveforms

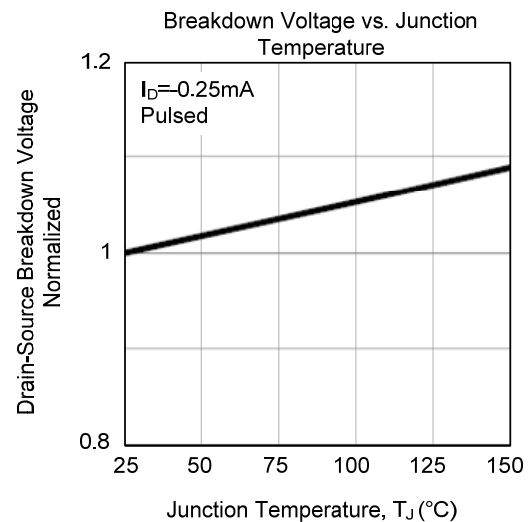
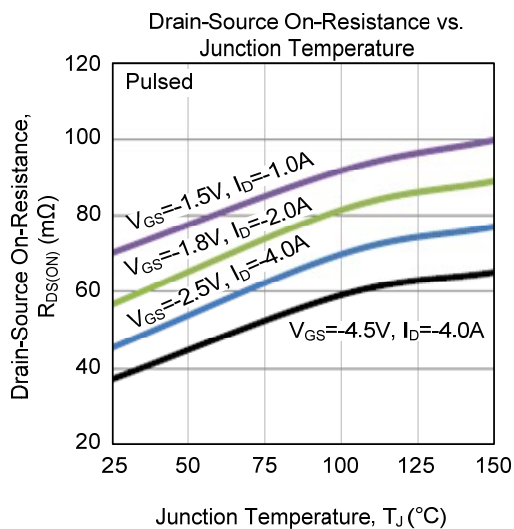
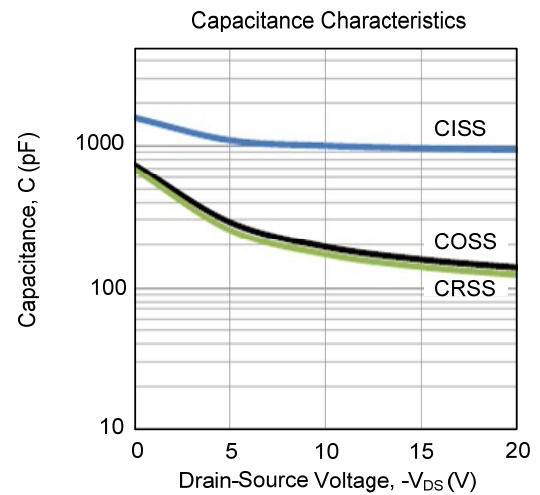
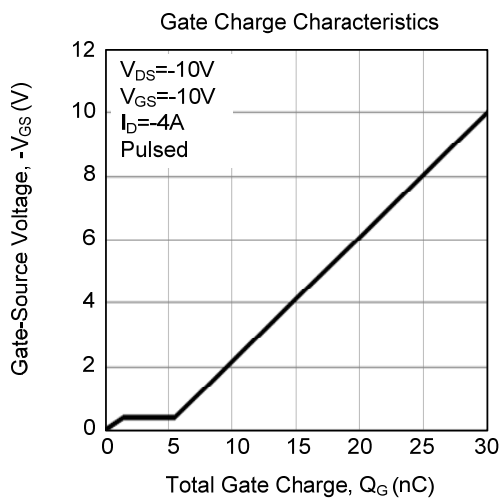
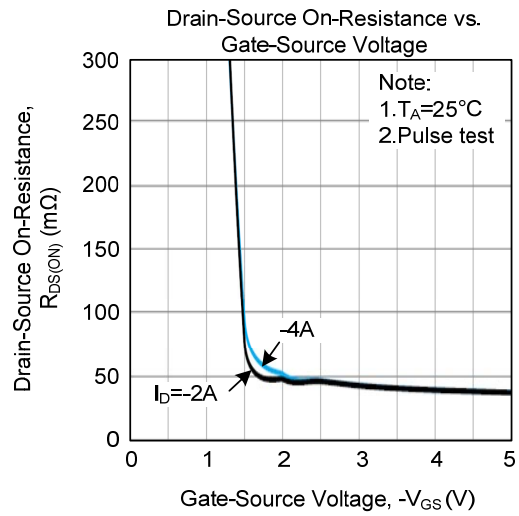
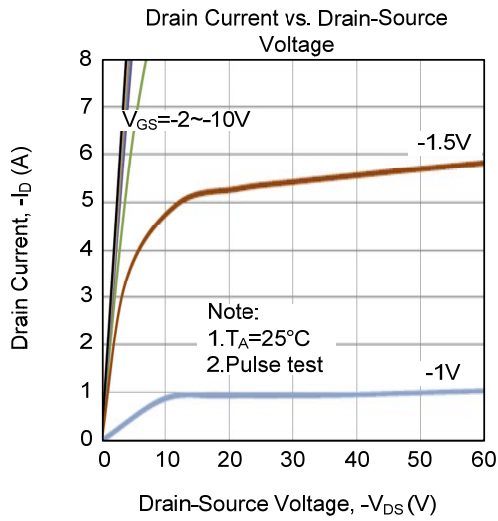


Unclamped Inductive Switching Test Circuit

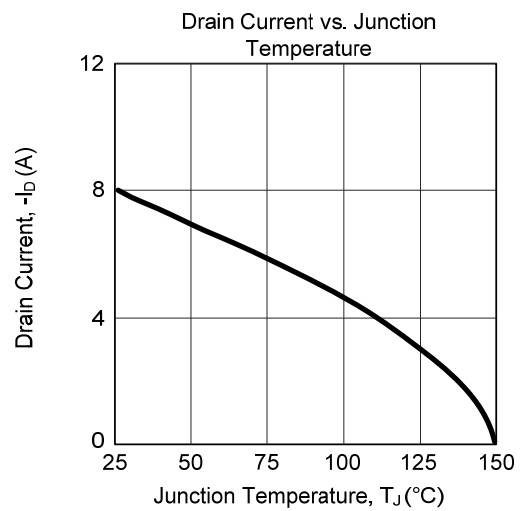
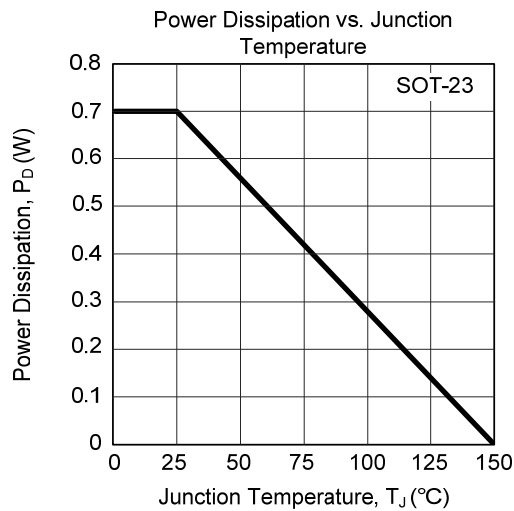
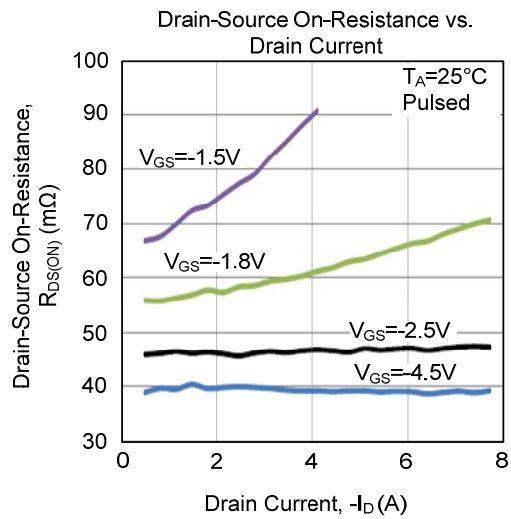
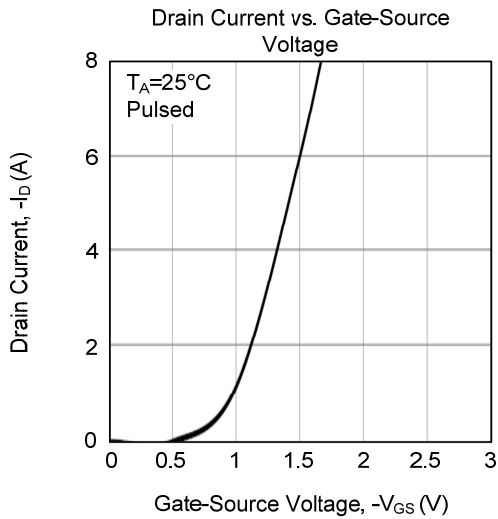
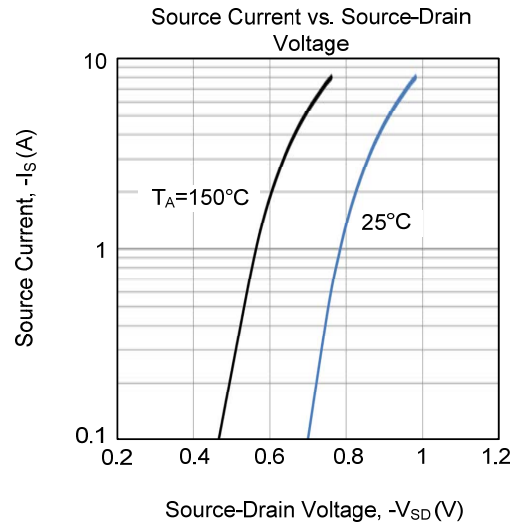
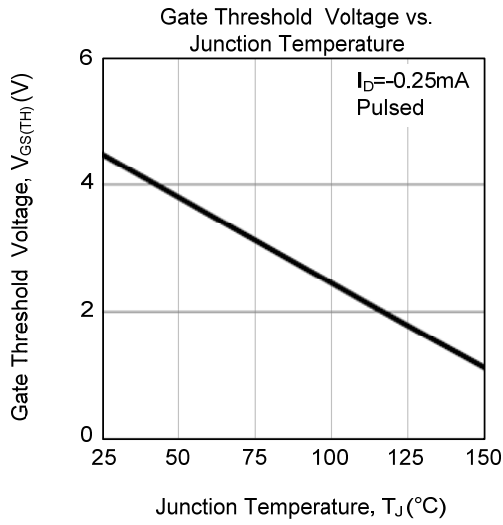


Unclamped Inductive Switching Waveforms

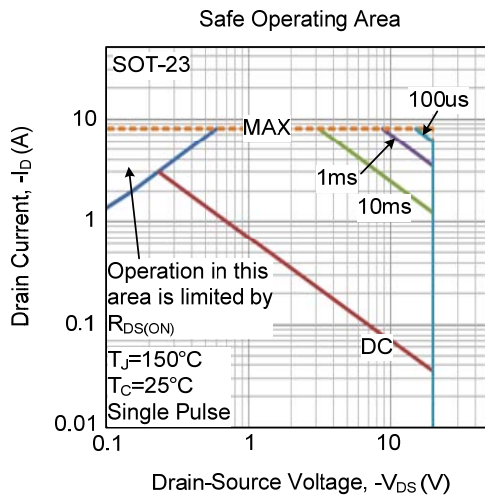
■ TYPICAL CHARACTERISTICS



■ TYPICAL CHARACTERISTICS (Cont.)



■ TYPICAL CHARACTERISTICS (Cont.)



UTC assumes no responsibility for equipment failures that result from using products at values that exceed, even momentarily, rated values (such as maximum ratings, operating condition ranges, or other parameters) listed in products specifications of any and all UTC products described or contained herein. UTC products are not designed for use in life support appliances, devices or systems where malfunction of these products can be reasonably expected to result in personal injury. Reproduction in whole or in part is prohibited without the prior written consent of the copyright owner. UTC reserves the right to make changes to information published in this document, including without limitation specifications and product descriptions, at any time and without notice. This document supersedes and replaces all information supplied prior to the publication hereof.